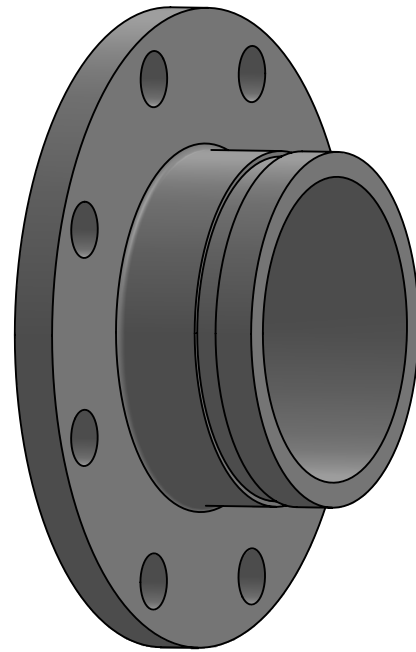
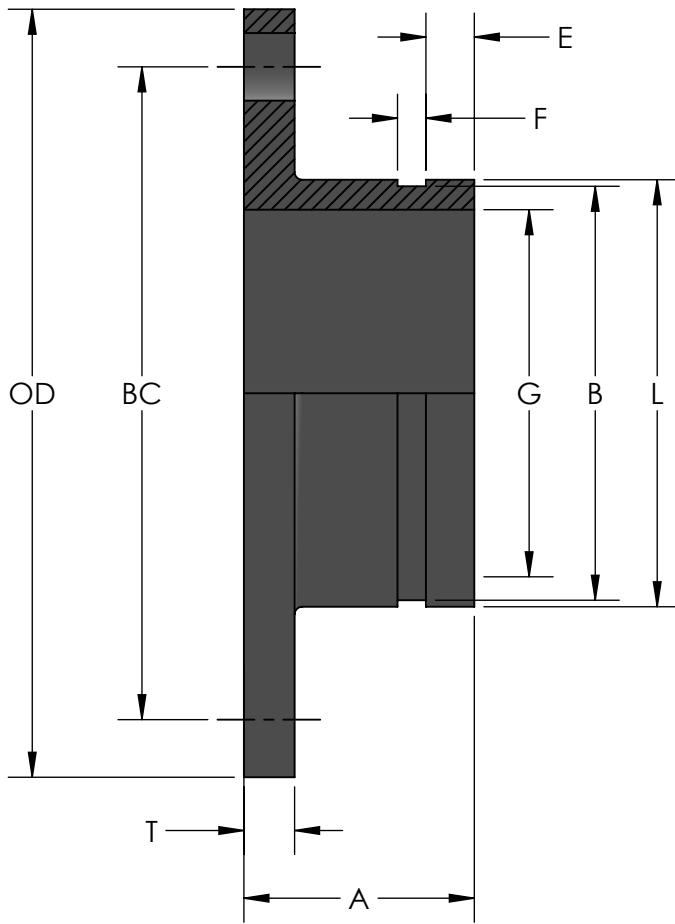


**MODEL GAD
GROOVED BY 125# FLANGED ADAPTOR
DUCTILE IRON ASTM A 395**



**OPERATING TEMPERATURE & PRESSURE
WATER, OIL, GAS**


400 PSI @ 100°F
150 PSI @ 300°F

QTY	PART NUMBER	SIZE	A	B	BOLT CIRCLE	OD	E	F	G	L	T	BOLT HOLES		WEIGHT (LBS)
												NO.	DIA.	
	GAD0200	2"	1.625"	2.25"	4.75"	6"	0.625"	0.31"	1.86"	2.37"	0.43"	4	0.75"	2.5
	GAD0250	2.5"	1.625"	2.72"	5.5"	7"	0.625"	0.31"	2.21"	2.87"	0.50"	4	0.75"	3
	GAD0300	3"	1.625"	3.34"	6"	7.5"	0.625"	0.31"	2.83"	3.5"	0.59"	4	0.75"	4.5
	GAD0400	4"	2"	4.33"	7.5"	9"	0.625"	0.37"	3.78"	4.5"	0.66"	8	0.75"	8
	GAD0500	5"	3"	5.39"	8.5"	10"	0.625"	0.37"	4.78"	5.56"	0.66"	8	0.875"	11
	GAD0600	6"	3.25"	6.46"	9.5"	11"	0.625"	0.37"	5.75"	6.63"	0.82"	8	0.875"	13
	GAD0800	8"	3.5"	8.44"	11.75"	13.5"	0.75"	0.44"	7.65"	8.63"	0.94"	8	0.875"	25
	GAD1000	10"	3.75"	10.56"	14.25"	16"	0.75"	0.50"	9.57"	10.75"	0.98"	12	1"	33
	GAD1200	12"	4"	12.53"	17"	19"	0.75"	0.50"	11.42"	12.75"	1.25"	12	1"	63

CUSTOMER: _____

PROJECT: _____

ENGINEER: _____

REV.	DATE
	
2323 W. HUBBARD ST. CHICAGO, IL 60612 TEL: 312-738-3800 FAX: 312-738-0415 WWW.METRAFLEX.COM	
MODEL GAD GROOVED BY 125# FLANGED ADAPTOR	
DRAWN BY: DKISH	DATE: 2/24/2017
APPROVED: ZB	DATE: 2/24/2017
SCALE: N/A	DRAWING NUMBER: GAD-1