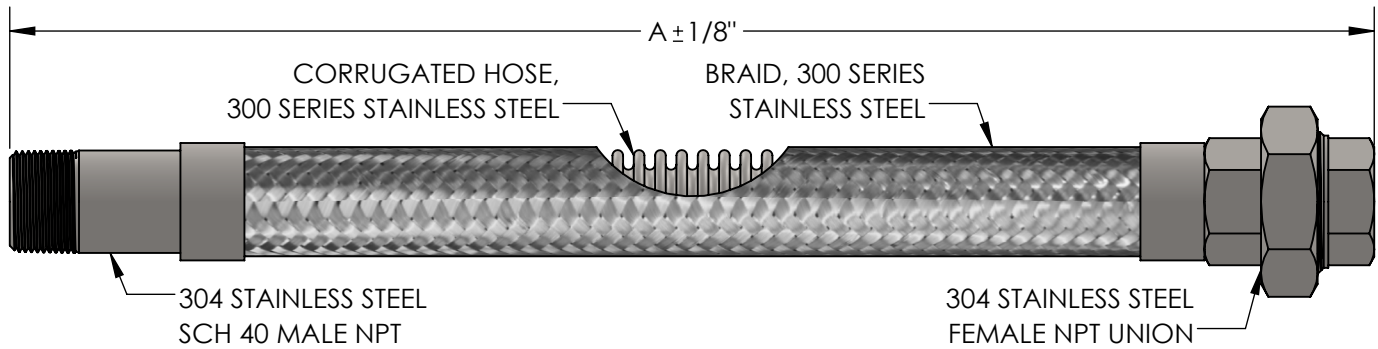


**MODEL SUPERFLEX  
SUPER FLEXIBLE PUMP CONNECTOR, MALE NPT x FEMALE NPT UNION**



NOTE: DO NOT USE WRENCHES ON HOSE OR BRAID COLLAR.

QTY	PART NUMBER	PIPE SIZE		A	MINIMUM BEND RADIUS		PRESSURE RATING (PSI)*	PROJECT INFORMATION
		INCH	MM		STATIC	DYNAMIC		
	SFLXTU05012	1/2"	15	12"	1.5"	6"	985	
	SFLXTU05018			18"				
	SFLXTU05024			24"				
	SFLXTU05030			30"				
	SFLXTU05036			36"				
	SFLXTU07512	3/4"	20	12"	2.0"	9"	690	
	SFLXTU07518			18"				
	SFLXTU07524			24"				
	SFLXTU07530			30"				
	SFLXTU07536			36"				
	SFLXTU10012	1"	25	12"	2.5"	10"	555	
	SFLXTU10018			18"				
	SFLXTU10024			24"				
	SFLXTU10030			30"				
	SFLXTU10036			36"				
	SFLXTU12518	1-1/4"	32	18"	3.0"	11.5"	520	
	SFLXTU12524			24"				
	SFLXTU12530			30"				
	SFLXTU12536			36"				
	SFLXTU15018	1-1/2"	38	18"	3.5"	12"	480	
	SFLXTU15024			24"				
	SFLXTU15030			30"				
	SFLXTU15036			36"				
	SFLXTU20018	2"	50	18"	4.5"	17.5"	415	
	SFLXTU20024			24"				
	SFLXTU20030			30"				
	SFLXTU20036			36"				

\*FOR SAFE WORKING PRESSURE ABOVE 70°F, MULTIPLY THE PRESSURE SHOWN AT 70°F TIMES THE CORRECTION FACTOR OF THE REQUIRED TEMPERATURE.

TEMPERATURE (°F)	FACTOR
70	1.0
200	.91
300	.85
400	.78
500	.77
600	.76

**NSF 372 - LEAD FREE**

The wetted surface of this product contacted by consumable water contains less than one quarter of one percent (0.25%) of lead by weight. Material complies with state codes and standards, where applicable, requiring reduced lead content.

2	DIMENSIONS UPDATED	2/21/2017
REV. 1	TEMP FACTOR UPDATED	DATE 12/28/2016

**Metraflex**  
for pipes in motion  
2323 W. HUBBARD ST.  
CHICAGO, IL 60612  
TEL: 312-738-3800  
FAX: 312-738-0415  
WWW.METRAFLEX.COM

**MODEL SFLXTU (SUPERFLEX)  
MALE NPT x FEMALE NPT UNION**

DRAWN BY: <b>DKISH</b>	DATE: <b>7/11/2014</b>
APPROVED: <b>JC</b>	DATE: <b>7/11/2014</b>
SCALE: <b>N/A</b>	DRAWING NUMBER: <b>SFLXTU-2</b>

CUSTOMER: \_\_\_\_\_

PROJECT: \_\_\_\_\_

ENGINEER: \_\_\_\_\_