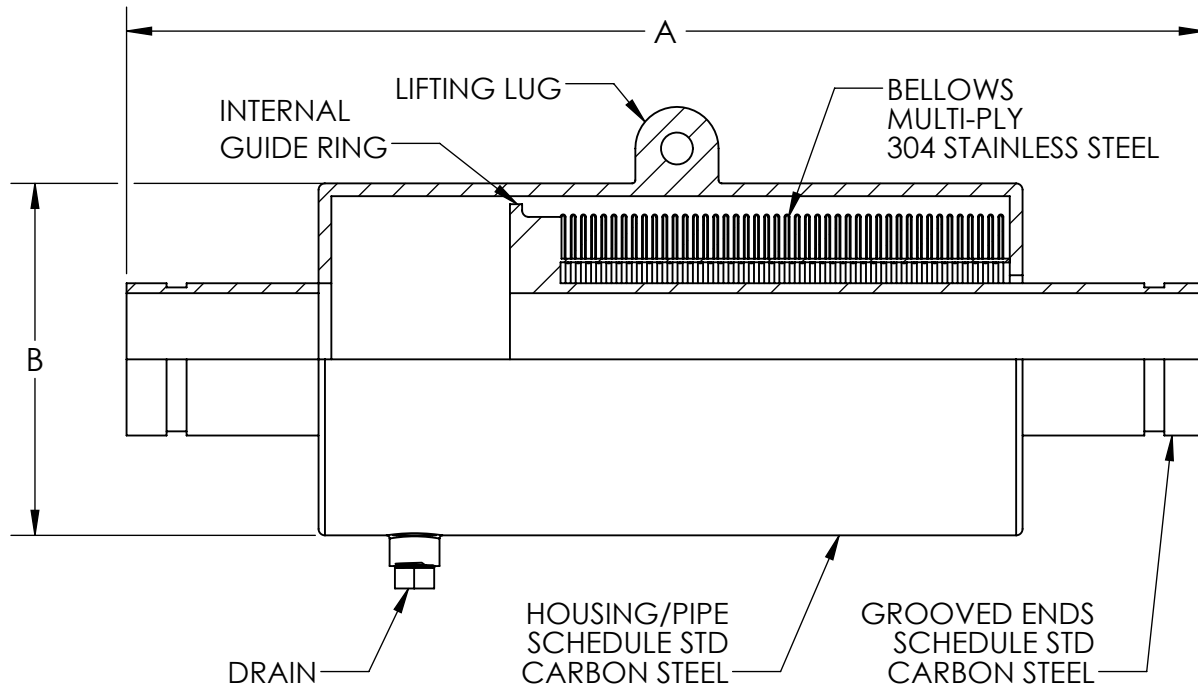


METRAFLEX METRAGATOR
150 PSI, 4" AXIAL COMPRESSION, GROOVED ENDS
EXTERNALLY PRESSURIZED EXPANSION JOINT



THE EXPANSION JOINT IS DESIGNED FOR AXIAL MOVEMENT ONLY. PIPE MUST BE PROPERLY GUIDED AND ANCHORED PER THE RECOMMENDATIONS OF THE EXPANSION JOINT MANUFACTURERS ASSOCIATION.

QTY	PART NUMBER	PIPE SIZE		A (in)	B (in)	EFF. AREA (in ²)	SPRING RATE (lb/in)	NOTES
		NPS	MM					
	GAT04SG0200	2	50	24.25	5.5	13.2	183.0	
	GAT04SG0250	2.5	65	24.5	5.5	13.2	183.0	
	GAT04SG0300	3	80	23.25	6.5	20.8	343.0	
	GAT04SG0400	4	100	24.25	8.5	36.0	200.0	
	GAT04SG0500	5	130	24.25	10.75	46.4	235.0	
	GAT04SG0600	6	150	24.75	12.75	58.9	269.0	
	GAT04SG0800	8	200	27.25	14	88.8	332.0	
	GAT04SG1000	10	250	26	16	124.6	400.0	
	GAT04SG1200	12	300	26	18	166.6	463.0	

DESIGN DATA

TEMPERATURE: 700°F (370°C)*
 PRESSURE: 150 PSI (1034 KPa)
 TEST PRESSURE: 225 PSI (1551 KPa)
 AXIAL MOVEMENT: 4" COMPRESSION (100 mm)

*TEMPERATURE RATING IS FOR THE METRAGATOR ONLY. TEMPERATURE RATING AT THE GROOVED CONNECTIONS IS DETERMINED BY THE GASKET USED.


NOTE: ANCHOR LOAD =
 (MAX PSI X EFFECTIVE AREA) +
 (SPRING RATE X MOVEMENT)

MILITARY SPECS:
 CONFORMS TO MIL-E-17813H AND ASTM-F-2934

CUSTOMER: _____

PROJECT: _____

ENGINEER: _____

REV.	DATE
	
2323 W. HUBBARD ST. CHICAGO, IL 60612 TEL: 312-738-3800 FAX: 312-738-0415 WWW.METRAFLEX.COM	
METRAFLEX METRAGATOR, 150 PSI, 4" AXIAL COMPRESSION, GROOVED ENDS	
DRAWN BY: DKISH	DATE: 6/1/2015
APPROVED: ZB	DATE: 6/2/2015
SCALE: N/A	DRAWING NUMBER: GAT04SG