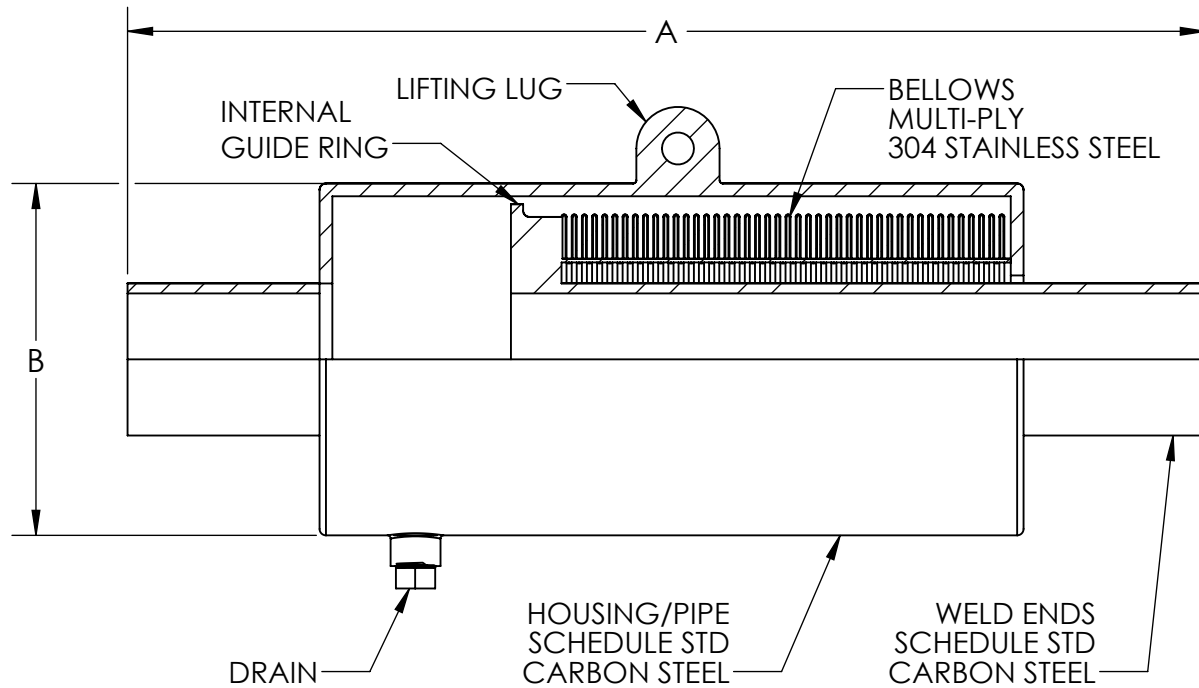


**METRAFLEX METRAGATOR**  
**150 PSI, 4" AXIAL COMPRESSION, WELD ENDS**  
**EXTERNALLY PRESSURIZED EXPANSION JOINT**



THE EXPANSION JOINT IS DESIGNED FOR AXIAL MOVEMENT ONLY. PIPE MUST BE PROPERLY GUIDED AND ANCHORED PER THE RECOMMENDATIONS OF THE EXPANSION JOINT MANUFACTURERS ASSOCIATION.

QTY	PART NUMBER	PIPE SIZE		A (in)	B (in)	EFF. AREA (in <sup>2</sup> )	SPRING RATE (lb/in)	NOTES
		NPS	MM					
	GAT04SW0200	2	50	24.25	5.5	13.2	183.0	
	GAT04SW0250	2.5	65	24.5	5.5	13.2	183.0	
	GAT04SW0300	3	80	23.25	6.5	20.8	343.0	
	GAT04SW0400	4	100	24.25	8.5	36.0	200.0	
	GAT04SW0500	5	130	24.25	10.75	46.4	235.0	
	GAT04SW0600	6	150	24.75	12.75	58.9	269.0	
	GAT04SW0800	8	200	27.25	14	88.8	332.0	
	GAT04SW1000	10	250	26	16	124.6	400.0	
	GAT04SW1200	12	300	26	18	166.6	463.0	

**DESIGN DATA**

TEMPERATURE: 700°F (370°C)  
 PRESSURE: 150 PSI (1034 KPa)  
 TEST PRESSURE: 225 PSI (1551 KPa)  
 AXIAL MOVEMENT: 4" COMPRESSION (100 mm)

**MILITARY SPECS:**


CONFORMS TO MIL-E-17813H AND ASTM-F-2934

NOTE: ANCHOR LOAD =  
 (MAX PSI X EFFECTIVE AREA) +  
 (SPRING RATE X MOVEMENT)

CUSTOMER: \_\_\_\_\_

PROJECT: \_\_\_\_\_

ENGINEER: \_\_\_\_\_

REV.	DATE
	
2323 W. HUBBARD ST. CHICAGO, IL 60612 TEL: 312-738-3800 FAX: 312-738-0415 WWW.METRAFLEX.COM	
<b>METRAFLEX METRAGATOR, 150 PSI,                  4" AXIAL COMPRESSION, WELD ENDS</b>	
DRAWN BY: DKISH	DATE: 6/1/2015
APPROVED: ZB	DATE: 6/2/2015
SCALE: N/A	DRAWING NUMBER: GAT04SW