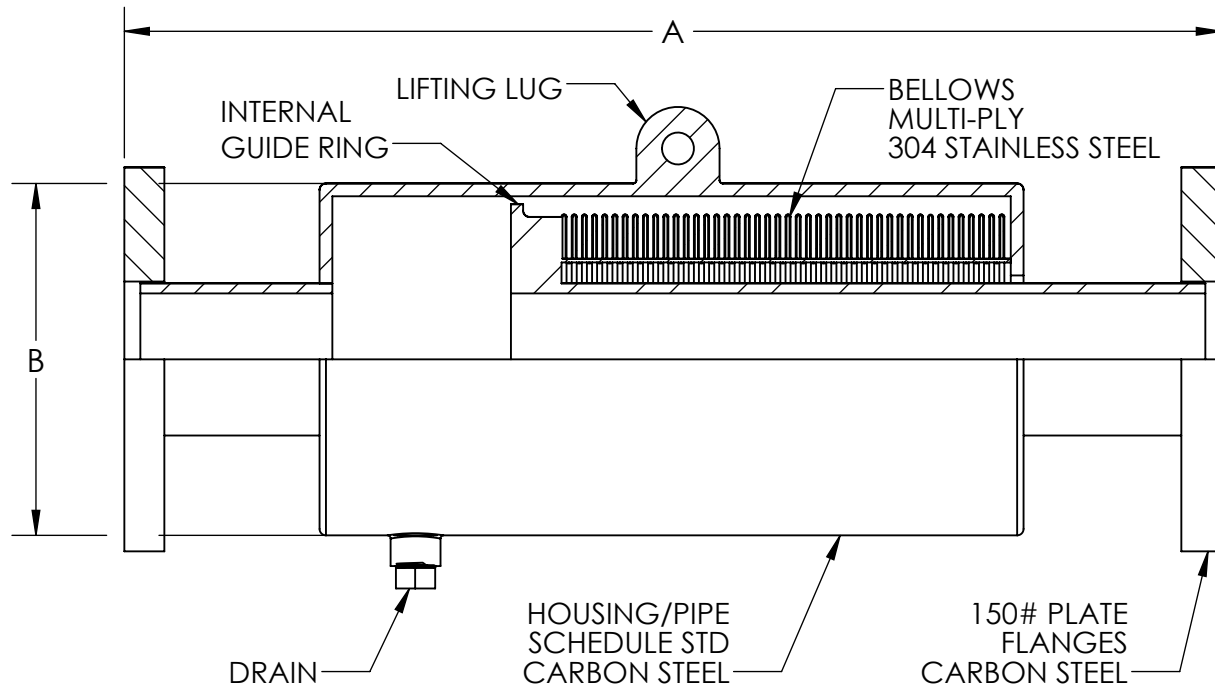


METRAFLEX METRAGATOR
150 PSI, 8" AXIAL COMPRESSION, FLANGED
EXTERNALLY PRESSURIZED EXPANSION JOINT



THE EXPANSION JOINT IS DESIGNED FOR AXIAL MOVEMENT ONLY. PIPE MUST BE PROPERLY GUIDED AND ANCHORED PER THE RECOMMENDATIONS OF THE EXPANSION JOINT MANUFACTURERS ASSOCIATION.

| QTY | PART NUMBER | PIPE SIZE | | A (in) | B (in) | EFF. AREA (in ²) | SPRING RATE (lb/in) | NOTES |
|-----|-------------|-----------|-----|--------|--------|------------------------------|---------------------|-------|
| | | NPS | MM | | | | | |
| | GAT08SF0200 | 2 | 50 | 38.5 | 5.5 | 13.2 | 92.0 | |
| | GAT08SF0250 | 2.5 | 65 | 38.5 | 5.5 | 13.2 | 92.0 | |
| | GAT08SF0300 | 3 | 80 | 38.5 | 6.5 | 20.8 | 172.0 | |
| | GAT08SF0400 | 4 | 100 | 37.75 | 8.5 | 36.0 | 103.0 | |
| | GAT08SF0500 | 5 | 130 | 38.25 | 10.75 | 46.4 | 120.0 | |
| | GAT08SF0600 | 6 | 150 | 38.5 | 12.75 | 58.9 | 138.0 | |
| | GAT08SF0800 | 8 | 200 | 42 | 14 | 88.8 | 166.0 | |
| | GAT08SF1000 | 10 | 250 | 40.25 | 16 | 124.6 | 200.0 | |
| | GAT08SF1200 | 12 | 300 | 39.75 | 18 | 166.6 | 235.0 | |

DESIGN DATA

TEMPERATURE: 700°F (370°C)
 PRESSURE: 150 PSI (1034 KPa)
 TEST PRESSURE: 225 PSI (1551 KPa)
 AXIAL MOVEMENT: 8" COMPRESSION (200 mm)

NOTE: ANCHOR LOAD =
 (MAX PSI X EFFECTIVE AREA) +
 (SPRING RATE X MOVEMENT)


MILITARY SPECS:

CONFORMS TO MIL-E-17813H AND ASTM-F-2934

CUSTOMER: _____

PROJECT: _____

ENGINEER: _____

| REV. | DATE |
|---|-------------------------|
|  | |
| 2323 W. HUBBARD ST. CHICAGO, IL 60612 TEL: 312-738-3800 FAX: 312-738-0415 WWW.METRAFLEX.COM | |
| METRAFLEX METRAGATOR, 150 PSI, 8" AXIAL COMPRESSION, FLANGED | |
| DRAWN BY: DKISH | DATE: 6/1/2015 |
| APPROVED: ZB | DATE: 6/2/2015 |
| SCALE: N/A | DRAWING NUMBER: GAT08SF |