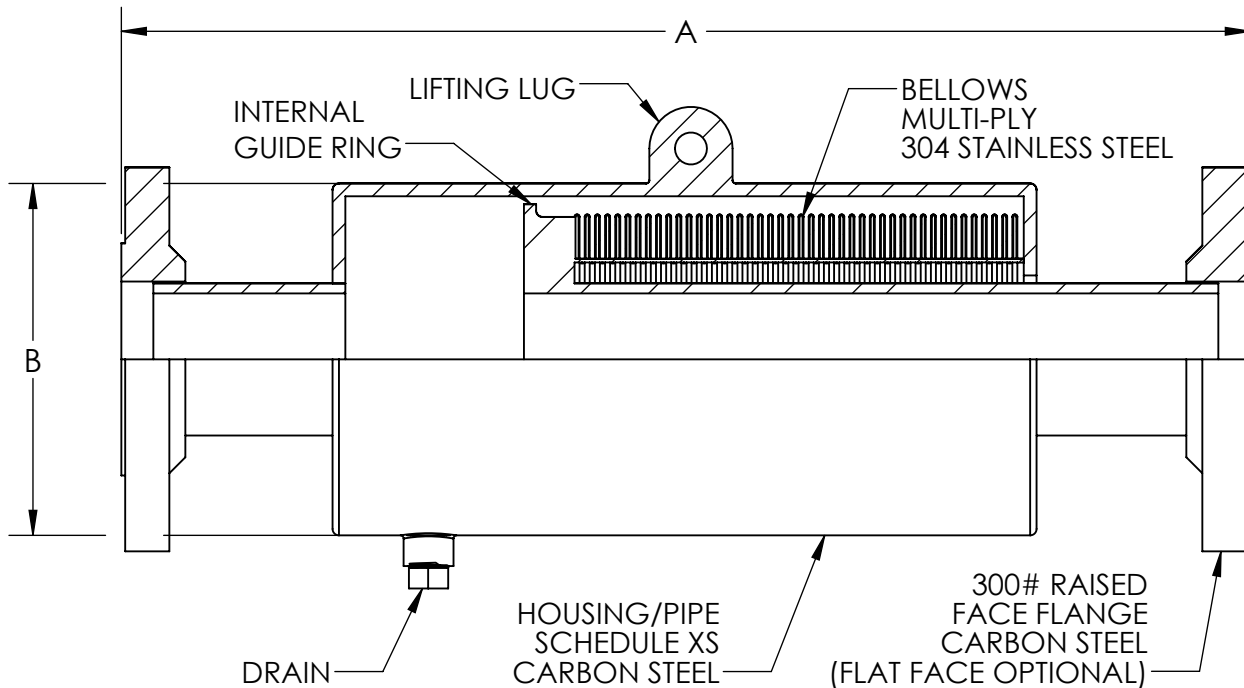


METRAFLEX METRAGATOR
300 PSI, 8" AXIAL COMPRESSION, FLANGED
EXTERNALLY PRESSURIZED EXPANSION JOINT



THE EXPANSION JOINT IS DESIGNED FOR AXIAL MOVEMENT ONLY. PIPE MUST BE PROPERLY GUIDED AND ANCHORED PER THE RECOMMENDATIONS OF THE EXPANSION JOINT MANUFACTURERS ASSOCIATION.

QTY	PART NUMBER	PIPE SIZE		A (in)	B (in)	EFF. AREA (in ²)	SPRING RATE (lb/in)	NOTES
		NPS	MM					
	GAT3008SF0200	2	50	45.5	6.625	14.3	339.5	
	GAT3008SF0250	2.5	65	45.75	6.625	14.3	339.5	
	GAT3008SF0300	3	80	43.75	8.625	22.9	441.2	
	GAT3008SF0400	4	100	44.25	10.75	36.4	662.6	
	GAT3008SF0500	5	130	41.25	10.75	46.7	987.0	
	GAT3008SF0600	6	150	41.25	12.75	59.4	1101.9	
	GAT3008SF0800	8	200	43	14	93.0	1583.8	
	GAT3008SF1000	10	250	47.75	16	129.7	1416.9	
	GAT3008SF1200	12	300	49.25	18	172.5	1539.6	

DESIGN DATA

TEMPERATURE: 700°F (370°C)
 PRESSURE: 300 PSI (2068 KPa)
 TEST PRESSURE: 450 PSI (3102 KPa)
 AXIAL MOVEMENT: 8" COMPRESSION (200 mm)

MILITARY SPECS:


CONFORMS TO MIL-E-17813H AND ASTM-F-2934

NOTE: ANCHOR LOAD =
 (MAX PSI X EFFECTIVE AREA) +
 (SPRING RATE X MOVEMENT)

CUSTOMER: _____

PROJECT: _____

ENGINEER: _____

REV.	DATE
	
2323 W. HUBBARD ST. CHICAGO, IL 60612 TEL: 312-738-3800 FAX: 312-738-0415 WWW.METRAFLEX.COM	
METRAFLEX METRAGATOR, 300 PSI, 8" AXIAL COMPRESSION, FLANGED	
DRAWN BY: DKISH	DATE: 6/1/2015
APPROVED: ZB	DATE: 6/2/2015
SCALE: N/A	DRAWING NUMBER: GAT3008SF