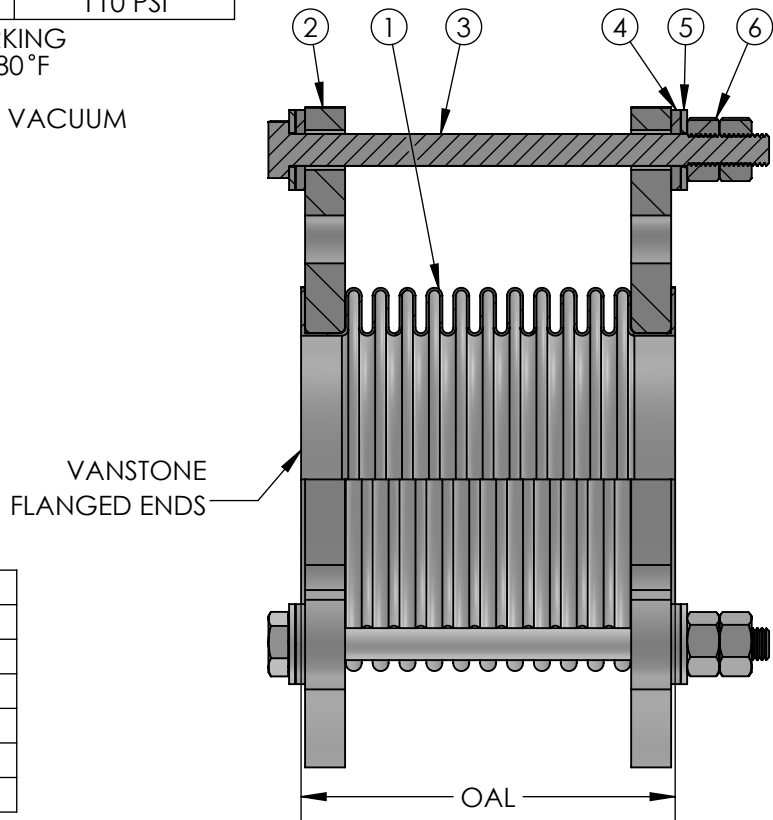
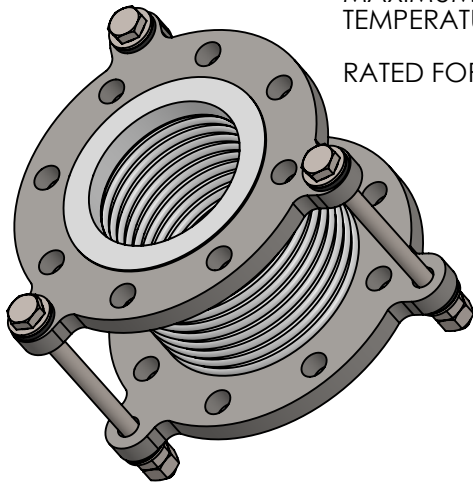


**MODEL MPTR
MULTI-PLY BELLOWS
PUMP CONNECTOR/
EXPANSION JOINT**

OPERATING CONDITIONS	
150°F	225 PSI
212°F	190 PSI
480°F	110 PSI

MAXIMUM WORKING TEMPERATURE 480°F

RATED FOR FULL VACUUM



VANSTONE
FLANGED ENDS

ITEM	PART NAME	MATERIAL
1	BELLOWS (2-PLY)	T304SS
2	ANSI 150# FLANGE	CARBON STEEL
3	TIE RODS	AISI-1020
4	GROMMET	NEOPRENE
5	WASHERS	STEEL
6	NUTS	AISI-1020

ALL WETTED SURFACES STAINLESS STEEL

QTY	PART NUMBER	PIPE SIZE		OAL	MAX COMP.	MAX EXT.	MAX LAT.	MAX ANG.	NUMBER OF TIE RODS	WEIGHT	PROJECT INFORMATION
		INCH	MM								
	MPTRVS0200	2"	50	6"	0.9"	0.2"	0.66"	12.5°	3	12	
	MPTRVS0250	2-1/2"	65	6"	0.9"	0.2"	0.53"	11°	3	16	
	MPTRVS0300	3"	80	6"	0.9"	0.2"	0.45"	10°	3	18	
	MPTRVS0400	4"	100	6"	1.0"	0.2"	0.39"	8°	3	28	
	MPTRVS0500	5"	125	6"	1.0"	0.2"	0.31"	7°	3	34	
	MPTRVS0600	6"	150	6"	1.0"	0.2"	0.26"	7°	3	43	
	MPTRVS0800	8"	200	6"	1.0"	0.2"	0.22"	4.5°	3	63	
	MPTRVS1000	10"	250	8"	1.4"	0.2"	0.33"	3.5°	3	93	
	MPTRVS1200	12"	300	8"	1.4"	0.2"	0.26"	3.5°	3	120	
	MPTRVS1400	14"	350	8"	1.4"	0.2"	0.26"	3.5°	3	160	
	MPTRVS1600	16"	400	8"	0.75"	0.3"	0.13"	3.5°	3	200	
	MPTRVS1800	18"	450	10"	1"	0.5"	0.13"	3.5°	3	211	

NSF 372 - LEAD FREE

The wetted surface of this product contacted by consumable water contains less than one quarter of one percent (0.25%) of lead by weight. Material complies with state codes and standards, where applicable, requiring reduced lead content.

CUSTOMER: _____

PROJECT: _____

ENGINEER: _____

2	MPTRVS1800 UPDATED	12/7/2017
REV. 1	MAX ANG. ADDED	DATE 5/22/2017

Metraflex
for pipes in motion

2323 W. HUBBARD ST.
CHICAGO, IL 60612
TEL: 312-738-3800
FAX: 312-738-0415
WWW.METRAFLEX.COM

MODEL MPTR

MULTI-PLY BELLOWS EXPANSION JOINT WITH TIE RODS

DRAWN BY: DKISH	DATE: 9/3/2015
APPROVED: ZB	DATE: 9/4/2015
SCALE: N/A	DRAWING NUMBER: MPTR-2