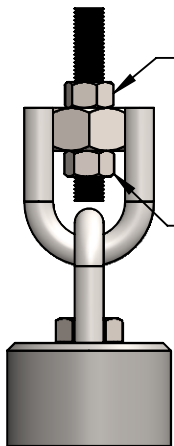
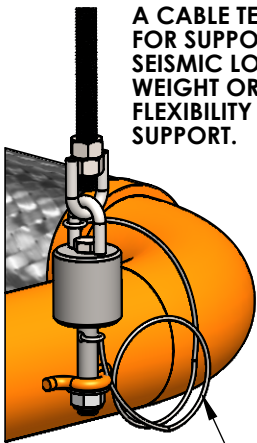


METRALOOP WITH SEISMIC BREAKAWAY HANGER
(FORMERLY BREAKAWAY COUPLING)

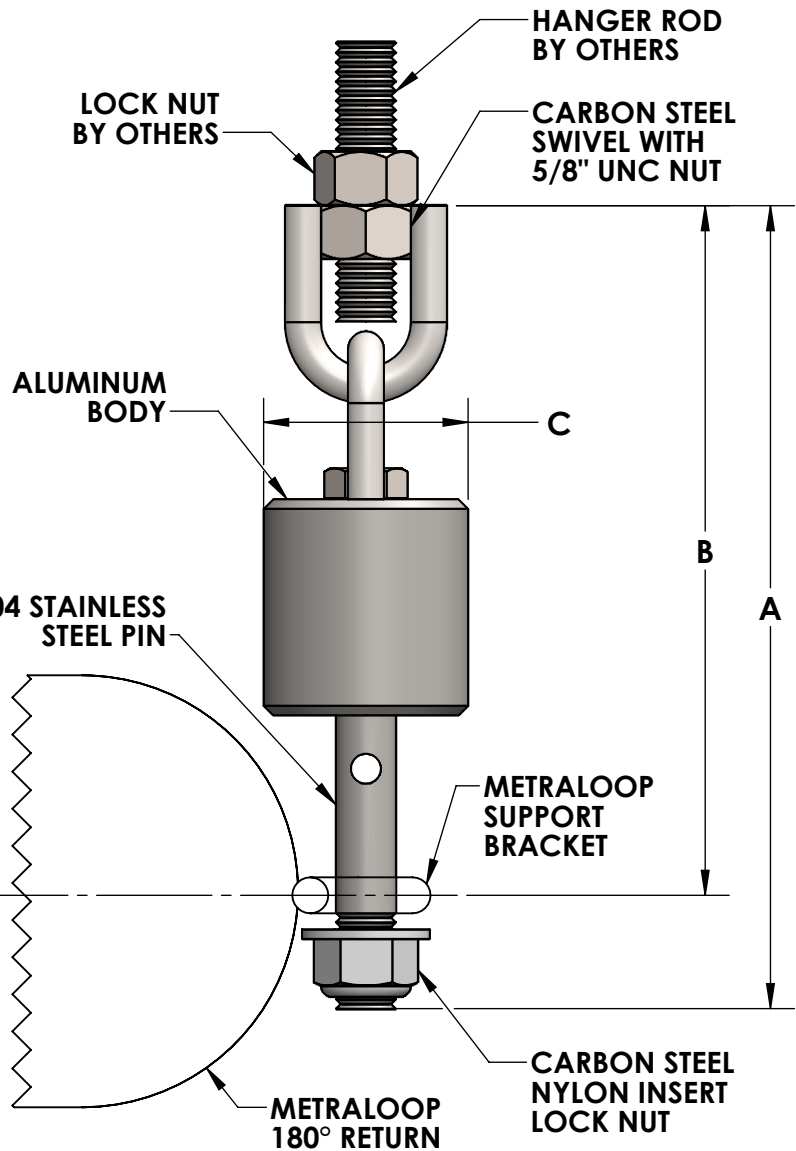


IF THE HANGER ROD IS SMALLER THAN THE NUT OF THE SWIVEL HANGER, SIMPLY SLIDE THE UNDERSIZED ROD THROUGH THE NUT AND FASTEN WITH THE APPROPRIATE SIZED NUTS.



A CABLE TETHER IS SUPPLIED FOR SUPPORTING LARGE SEISMIC LOOPS WHOSE WEIGHT OR EXTREME FLEXIBILITY MAY REQUIRE SUPPORT.

CABLE TETHER



QTY	PART #	A (in)	B (in)	C (in)	NOTES
	SBH30	7.25	6.375	2.125	
	SBH45	7.25	6.375	2.125	
	SBH65	7.25	6.375	2.125	
	SBH80	7.25	6.375	2.125	
	SBH130	9.75	8.75	2.875	
	SBH200	9.75	8.75	2.875	
	SBH400	12.75	11.625	2.875	
	SBH650	12.75	11.625	2.875	
	SBH725	12.75	11.625	2.875	

CUSTOMER: _____

PROJECT: _____

ENGINEER: _____

REV.	DATE
2323 W. HUBBARD ST. CHICAGO, IL 60612 TEL: 312-738-3800 FAX: 312-738-0415 WWW.METRAFLEX.COM	
SEISMIC BREAKAWAY HANGER (FORMERLY BREAKAWAY COUPLING)	
DRAWN BY: DKISH	DATE: 2/17/2017
APPROVED:	DATE:
SCALE: N/A	DRAWING NUMBER: SBH-1