

"Spider" spacers center pipe in housing and are sized to allow insulation to be packed around pipe.

Split housing for easy installation.

Feet can be bolted or welded to structure.

## Style IV Spider Type guide

Matched to pipe size and insulation thickness, the spider guide provides lateral stability to the pipe to prevent "bowing" and to ensure axial pipe movement in and out of the expansion joint. Extended spiders are available. These guides are not designed to support the weight of the pipe. The Metraflex style IV guides are available for pipe 1 inch to 24 inch diameter, insulation thicknesses 0 to 4 inches are standard, larger thicknesses are available, and axial movement up to 12 inches of travel. Add die-electric spacer for copper pipe.

## Model Selection Chart For Style IV Guides

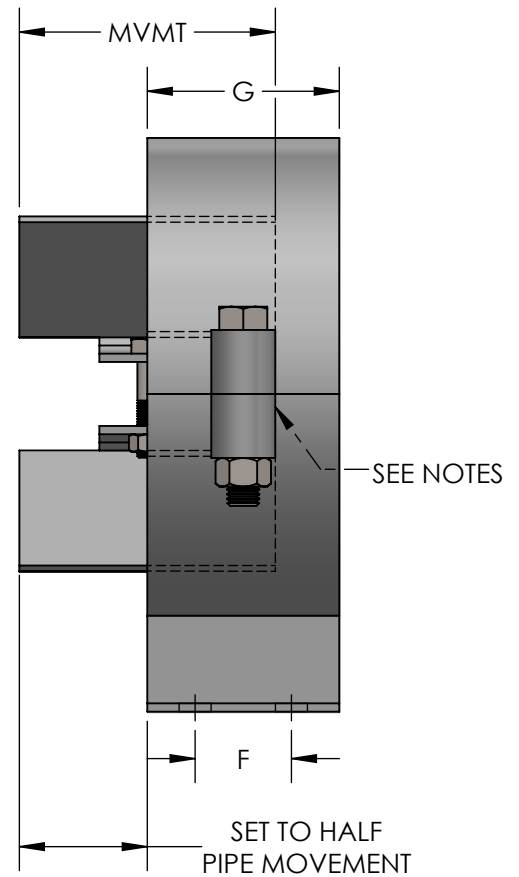
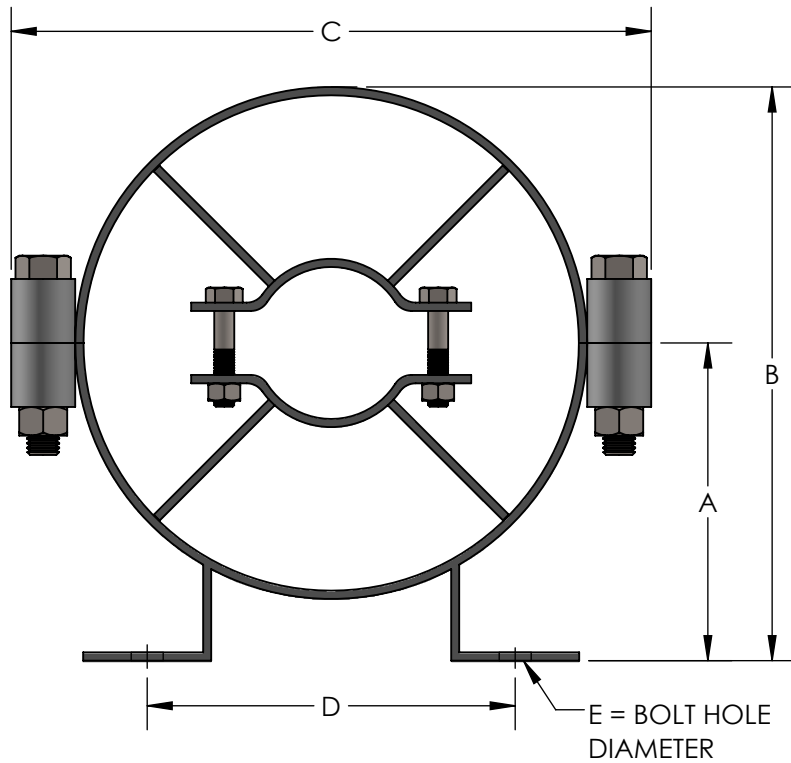
Using insulation thickness, choose the Model # from this chart and note on drawing on the following page. Die-electric spacers recommended for copper pipe.

PIPE SIZE	INSULATION THICKNESS						
	1"	1-1/2"	2"	2-1/2"	3"	3-1/2"	4"
1/2"	23	23	24	26	26	26	27
3/4"	23	24	25	26	26	27	27
1"	23	24	25	26	26	27	27
1-1/4"	23	24	25	26	26	27	27
1-1/2"	24	24	25	26	26	27	27
2"	24	25	26	26	27	27	28
2-1/2"	25	25	26	26	27	27	28
3"	25	26	26	27	27	28	28
4"	26	26	27	27	28	28	29
5"	27	27	27	28	28	29	30
6"	27	27	28	28	29	30	30
8"	28	28	29	30	30	31	31
10"	30	30	30	31	31	32	32
12"	31	31	31	32	32	33	33
14"	32	32	32	32	33	33	34
16"	33	33	33	33	34	34	35
18"	34	34	34	34	35	35	-
20"	35	35	35	35	36	36	36
24"	36	36	36	36	-	-	-

When ordering Style IV guides, specify insulation thickness. Style IV available for Copper Tubing. Contact factory for pricing.

**MODEL PGIV  
STYLE IV SPIDER TYPE GUIDE**

DIRECTION OF PIPE MOVEMENT →



NOTES  
MATERIAL: CARBON STEEL, FINISH: ONE COAT OF PAINT  
MODELS 23 - 28 HAVE 2 BOLTS, MODELS 29 - 36 HAVE 4 BOLTS


QTY	SIZE	MODEL	A	B	C	D	E	F	G	MVMT	WEIGHT (lbs)
		23	3-1/2"	5-7/8"	6-1/8"	4-1/8"	5/8"	1-3/4"	3"	4"	7
		24	4"	6-3/4"	7-1/8"	4-3/8"	5/8"	1-3/4"	3"	4"	8
		25	4-3/8"	7-5/8"	8-1/8"	5-1/8"	5/8"	1-3/4"	3"	4"	9
		26	5-1/4"	9-1/4"	10-1/8"	6-1/8"	5/8"	1-3/4"	3"	4"	11
		27	6-1/4"	11-5/8"	12-1/8"	7"	5/8"	2-3/4"	4"	6"	17
		28	7"	13-3/8"	14-1/8"	8-1/4"	5/8"	2-3/4"	4"	6"	20
		29	7-7/8"	15-1/8"	16-1/8"	9-7/8"	3/4"	4"	6"	8"	40
		30	8-7/8"	17"	18-1/8"	10-7/8"	3/4"	4"	6"	8"	48
		31	9-3/4"	18-3/4"	20-1/8"	11-7/8"	3/4"	4"	6"	8"	54
		32	10-7/8"	21"	22-1/8"	11-3/4"	3/4"	4"	6"	8"	61
		33	12-1/8"	23-1/8"	24-1/8"	14-1/2"	7/8"	6"	8"	8"	89
		34	13"	25"	26-1/8"	15-1/2"	7/8"	6"	8"	8"	102
		35	14-3/4"	27-3/4"	28-1/8"	17-1/8"	1-1/8"	6"	8"	12"	110
		36	16-1/2"	31-1/2"	32-1/8"	19-1/4"	1-1/8"	6"	8"	12"	150

FOR COPPER TUBE CLAMPS USE MODEL PGIVC

CUSTOMER: \_\_\_\_\_

PROJECT: \_\_\_\_\_

ENGINEER: \_\_\_\_\_

REV.	DATE
	
2323 W. HUBBARD ST. CHICAGO, IL 60612 TEL: 312-738-3800 FAX: 312-738-0415 WWW.METRAFLEX.COM	
<b>MODEL PGIV</b> STYLE IV SPIDER TYPE GUIDE	
DRAWN BY: <b>DKISH</b>	DATE: <b>9/8/2015</b>
APPROVED: <b>ZB</b>	DATE: <b>9/9/2015</b>
SCALE: <b>N/A</b>	DRAWING NUMBER: <b>PGIV</b>