

Slide guide for 1-4" pipe. Slide welded to pipe with bolt down axial guide base.

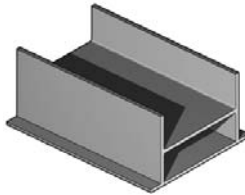
MODEL PTFE SLIDE GUIDE STANDARD AND PRE-INSULATED

Slide guides can come in a variety of configurations. Listed below are various options for PTFE slide supports, pre-insulated PTFE slide supports, and base options.

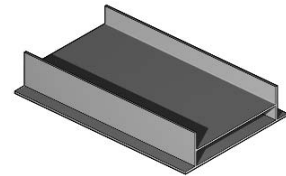
PTFE Slide Support Options



1-8" pipe diameter
Maximum 2" insulation



5-8" pipe diameter
Maximum 2" insulation

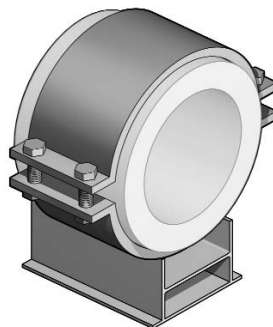


10-24" pipe diameter
Maximum 3-1/2" insulation

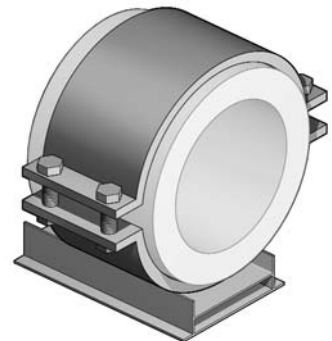
Pre-Insulated PTFE Slide Support Options



1-4" pipe diameter
1" - 4" insulation

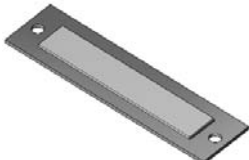


5-8" pipe diameter
1" - 4" insulation



10-24" pipe diameter
1" - 4" insulation

Base Options



Lateral slide base
Bolt down



Axial guide base
Weld down



Axial guide base
Bolt down

