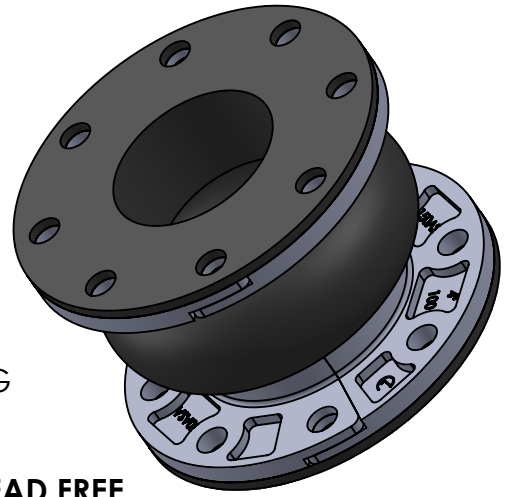


MAXIMUM WORKING TEMPERATURE 230°F



LEAD FREE

The wetted surface of this product contacted by consumable water contains less than one quarter of one percent (0.25%) of lead by weight. Material complies with state codes and standards, where applicable, requiring reduced lead content.

Notes:

For installation instructions go to www.metroflex.com. Joint must be installed at its neutral length, and the bolts properly torqued. Not suitable for steam applications. If connecting pipe is not anchored and guided, control units must be used.

TO BE FURNISHED WITH CONTROL UNITS:

YES

NO

ITEM	PART NAME	MATERIAL
1	COVER	BUTYL
2	TUBE	BUTYL
3	RETAINING RING	DUCTILE IRON

*Contact factory for other elastomers.

MOVEMENT CAPABILITY AND FORCES

Qty	Part Number	Size I.D. (in)	F/F (in)	Pressure (PSI)	Vacuum (in Hg)	MOVEMENT CAPABILITY AND FORCES						Weight (lbs)	
						AXIAL			DEFLECTION				
						Comp. (in)	Force* (lbs)	Elong. (in)	Force* (lbs)	Lateral (in)	Force* (lbs)	Angular (Degrees)	
	7110200	2	6	150	10	1.75	220	0.75	120	0.75	160	35	5.5
	7110250	2.5	6	150	10	1.75	280	0.75	150	0.75	170	30	7.5
	7110300	3	6	150	10	1.75	330	0.75	180	0.75	190	30	8.5
	7110400	4	6	150	10	1.75	450	0.75	250	0.75	210	25	10
	7110500	5	6	150	10	1.75	550	0.75	310	0.75	250	25	12.5
	7110600	6	6	150	10	1.75	670	0.75	370	1	370	20	16.5
	7110800	8	6	150	10	1.75	740	0.75	410	1	450	20	22
	7111000	10	8	150	10	1.75	930	0.75	520	1	480	15	34
	7111200	12	8	150	10	1.75	970	0.75	550	1	570	15	45
	7111400	14	8	130	10	2	1190	0.875	670	1.125	750	12	55
	7111600	16	8	110	10	2	1270	0.875	720	1.125	870	12	64
	7111800	18	8	110	10	2	1430	0.875	810	1.125	960	9	71
	7112000	20	8	110	10	2	1590	0.875	900	1.125	1070	9	82
	7112400	24	10	100	10	2.25	2140	1	1240	1.125	1150	9	102
	7113000	30	10	100	10	2.25	2700	1	1565	1.125	1451	6	140
	7113600	36	10	90	10	2.25	3300	1	1912	1.125	1773	5	190

PROJECT INFO

CUSTOMER: _____

PROJECT: _____

ENGINEER: _____

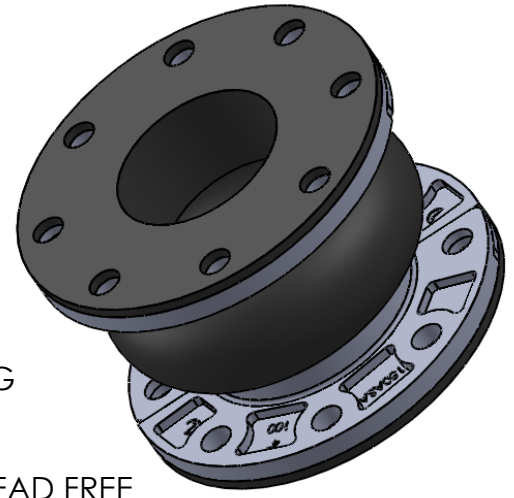
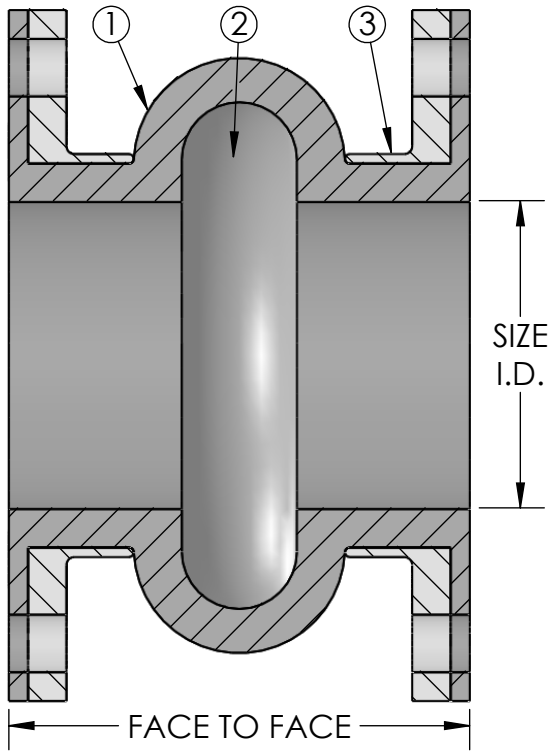
REV. 1 VACUUM COLUMN ADDED DATE 11/11/2014

Metroflex
for pipes in motion

2323 W. HUBBARD ST.
CHICAGO, IL 60612
TEL: 312-738-3800
FAX: 312-738-0415
WWW.METRAFLEX.COM

STYLE 711 WIDE ARCH
BUTYL SPHERICAL CONNECTOR

DRAWN BY: **DKISH** DATE: **11/5/2014**
APPROVED: **JC** DATE: **11/5/2014**
SCALE: **NONE** DRAWING NUMBER: **711**



MAXIMUM WORKING TEMPERATURE 230°F

LEAD FREE

The wetted surface of this product contacted by consumable water contains less than one quarter of one percent (0.25%) of lead by weight. Material complies with state codes and standards, where applicable, requiring reduced lead content.

Notes:
 For installation instructions go to www.metroflex.com.
 Joint must be installed at its neutral length, and the bolts properly torqued.
 Not suitable for steam or vacuum applications.
 If connecting pipe is not anchored and guided, control units must be used.

TO BE FURNISHED WITH CONTROL UNITS:

YES NO

ITEM	PART NAME	MATERIAL
1	COVER	NEOPRENE
2	TUBE	NEOPRENE
3	RETAINING RING	DUCTILE IRON

MOVEMENT CAPABILITY AND FORCES

Qty	Part Number	Size I.D. (in)	F/F (in)	Pressure (PSI)	AXIAL				DEFLECTION			Weight (lbs)
					Comp. (in)	Approx Force (lbs)	Elong. (in)	Approx Force (lbs)	Lateral (in)	Approx Force (lbs)	Angular (Degrees)	
	711NN0200	2	6	150	1.75	220	0.75	120	0.75	160	35	5.5
	711NN0250	2.5	6	150	1.75	280	0.75	150	0.75	170	30	7.5
	711NN0300	3	6	150	1.75	330	0.75	180	0.75	190	30	8.5
	711NN0400	4	6	150	1.75	450	0.75	250	0.75	210	25	10
	711NN0500	5	6	150	1.75	550	0.75	310	0.75	250	25	12.5
	711NN0600	6	6	150	1.75	670	0.75	370	1	370	20	16.5
	711NN0800	8	6	150	1.75	740	0.75	410	1	450	20	22
	711NN1000	10	8	150	1.75	930	0.75	520	1	480	15	34
	711NN1200	12	8	150	1.75	970	0.75	550	1	570	15	45
	711NN1400	14	8	130	2	1190	0.875	670	1.125	750	12	55
	711NN1600	16	8	110	2	1270	0.875	720	1.125	870	12	64
	711NN1800	18	8	110	2	1430	0.875	810	1.125	960	9	71
	711NN2000	20	8	110	2	1590	0.875	900	1.125	1070	9	82
	711NN2400	24	10	100	2.25	2140	1	1240	1.125	1150	9	102
	711NN3000	30	10	100	2.25	2700	1	1565	1.125	1451	6	140
	711NN3600	36	10	90	2.25	3300	1	1912	1.125	1773	5	190

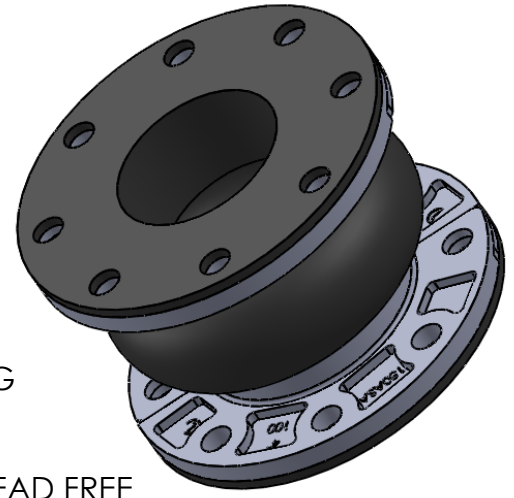
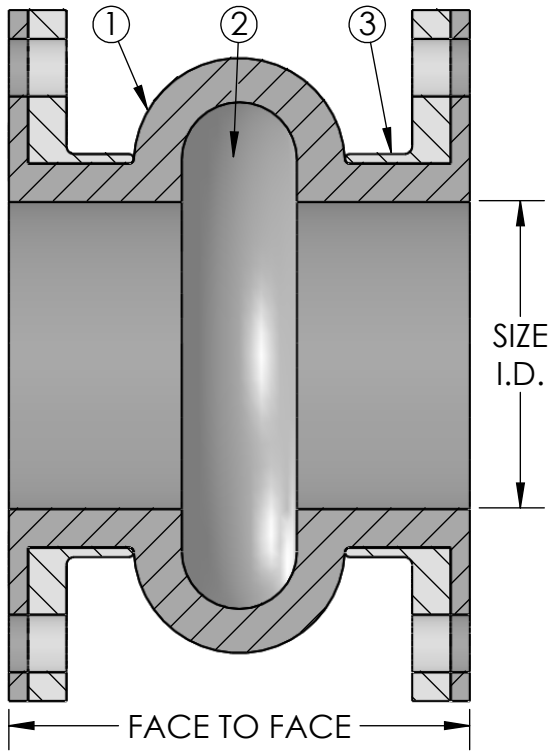
PROJECT INFO

CUSTOMER: _____

PROJECT: _____

ENGINEER: _____

REV.	DATE
2323 W. HUBBARD ST. CHICAGO, IL 60612 TEL: 312-738-3800 FAX: 312-738-0415 WWW.METRAFLEX.COM	
STYLE 711 WIDE ARCH NEOPRENE SPHERICAL CONNECTOR	
DRAWN BY: DKISH	DATE: 1/20/2014
APPROVED: JC	DATE: 1/20/2014
SCALE: NONE	DRAWING NUMBER: 711NN



MAXIMUM WORKING TEMPERATURE 230°F

LEAD FREE

The wetted surface of this product contacted by consumable water contains less than one quarter of one percent (0.25%) of lead by weight. Material complies with state codes and standards, where applicable, requiring reduced lead content.

Notes:
 For installation instructions go to www.metroflex.com.
 Joint must be installed at its neutral length, and the bolts properly torqued.
 Not suitable for steam or vacuum applications.
 If connecting pipe is not anchored and guided, control units must be used.

TO BE FURNISHED WITH CONTROL UNITS:

YES NO

ITEM	PART NAME	MATERIAL
1	COVER	HYPALON
2	TUBE	NEOPRENE
3	RETAINING RING	DUCTILE IRON

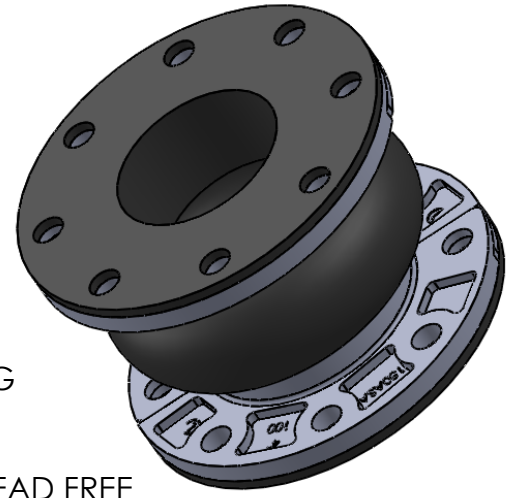
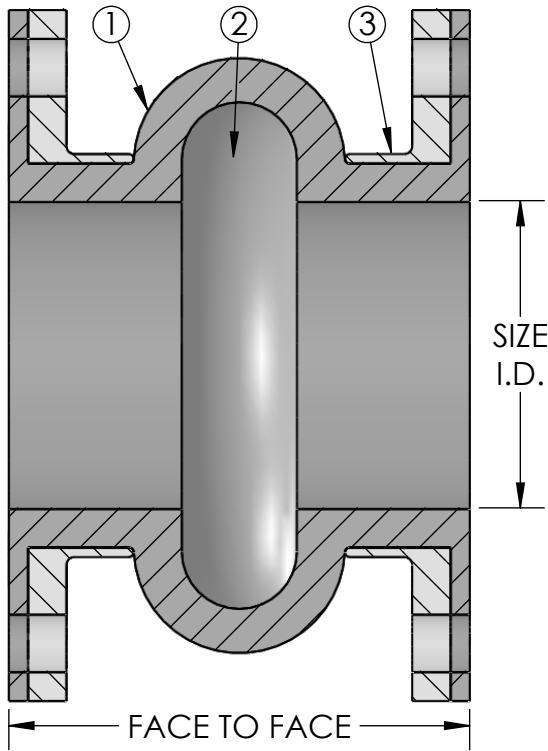
MOVEMENT CAPABILITY AND FORCES

Qty	Part Number	Size I.D. (in)	F/F (in)	Pressure (PSI)	AXIAL				DEFLECTION			Weight (lbs)
					Comp. (in)	Approx Force (lbs)	Elong. (in)	Approx Force (lbs)	Lateral (in)	Approx Force (lbs)	Angular (Degrees)	
	711NH0200	2	6	150	1.75	220	0.75	120	0.75	160	35	5.5
	711NH0250	2.5	6	150	1.75	280	0.75	150	0.75	170	30	7.5
	711NH0300	3	6	150	1.75	330	0.75	180	0.75	190	30	8.5
	711NH0400	4	6	150	1.75	450	0.75	250	0.75	210	25	10
	711NH0500	5	6	150	1.75	550	0.75	310	0.75	250	25	12.5
	711NH0600	6	6	150	1.75	670	0.75	370	1	370	20	16.5
	711NH0800	8	6	150	1.75	740	0.75	410	1	450	20	22
	711NH1000	10	8	150	1.75	930	0.75	520	1	480	15	34
	711NH1200	12	8	150	1.75	970	0.75	550	1	570	15	45
	711NH1400	14	8	130	2	1190	0.875	670	1.125	750	12	55
	711NH1600	16	8	110	2	1270	0.875	720	1.125	870	12	64
	711NH1800	18	8	110	2	1430	0.875	810	1.125	960	9	71
	711NH2000	20	8	110	2	1590	0.875	900	1.125	1070	9	82
	711NH2400	24	10	100	2.25	2140	1	1240	1.125	1150	9	102
	711NH3000	30	10	100	2.25	2700	1	1565	1.125	1451	6	140
	711NH3600	36	10	90	2.25	3300	1	1912	1.125	1773	5	190

PROJECT INFO

CUSTOMER: _____
 PROJECT: _____
 ENGINEER: _____

REV.	DATE
2323 W. HUBBARD ST. CHICAGO, IL 60612 TEL: 312-738-3800 FAX: 312-738-0415 WWW.METRAFLEX.COM	
STYLE 711 WIDE ARCH HYPALON SPHERICAL CONNECTOR	
DRAWN BY: DKISH	DATE: 1/20/2014
APPROVED: JC	DATE: 1/20/2014
SCALE: NONE	DRAWING NUMBER: 711NH



MAXIMUM WORKING TEMPERATURE 230°F

LEAD FREE

The wetted surface of this product contacted by consumable water contains less than one quarter of one percent (0.25%) of lead by weight. Material complies with state codes and standards, where applicable, requiring reduced lead content.

Notes:
 For installation instructions go to www.metroflex.com.
 Joint must be installed at its neutral length, and the bolts properly torqued.
 Not suitable for steam or vacuum applications.
 If connecting pipe is not anchored and guided, control units must be used.

TO BE FURNISHED WITH CONTROL UNITS:

YES NO

ITEM	PART NAME	MATERIAL
1	COVER	EPDM
2	TUBE	EPDM
3	RETAINING RING	DUCTILE IRON

MOVEMENT CAPABILITY AND FORCES

Qty	Part Number	Size I.D. (in)	F/F (in)	Pressure (PSI)	AXIAL				DEFLECTION			Weight (lbs)
					Comp. (in)	Approx Force (lbs)	Elong. (in)	Approx Force (lbs)	Lateral (in)	Approx Force (lbs)	Angular (Degrees)	
	711EE0200	2	6	150	1.75	220	0.75	120	0.75	160	35	5.5
	711EE0250	2.5	6	150	1.75	280	0.75	150	0.75	170	30	7.5
	711EE0300	3	6	150	1.75	330	0.75	180	0.75	190	30	8.5
	711EE0400	4	6	150	1.75	450	0.75	250	0.75	210	25	10
	711EE0500	5	6	150	1.75	550	0.75	310	0.75	250	25	12.5
	711EE0600	6	6	150	1.75	670	0.75	370	1	370	20	16.5
	711EE0800	8	6	150	1.75	740	0.75	410	1	450	20	22
	711EE1000	10	8	150	1.75	930	0.75	520	1	480	15	34
	711EE1200	12	8	150	1.75	970	0.75	550	1	570	15	45
	711EE1400	14	8	130	2	1190	0.875	670	1.125	750	12	55
	711EE1600	16	8	110	2	1270	0.875	720	1.125	870	12	64
	711EE1800	18	8	110	2	1430	0.875	810	1.125	960	9	71
	711EE2000	20	8	110	2	1590	0.875	900	1.125	1070	9	82
	711EE2400	24	10	100	2.25	2140	1	1240	1.125	1150	9	102
	711EE3000	30	10	100	2.25	2700	1	1565	1.125	1451	6	140
	711EE3600	36	10	90	2.25	3300	1	1912	1.125	1773	5	190

PROJECT INFO

CUSTOMER: _____

PROJECT: _____

ENGINEER: _____

REV.	DATE
2323 W. HUBBARD ST. CHICAGO, IL 60612 TEL: 312-738-3800 FAX: 312-738-0415 WWW.METRAFLEX.COM	
STYLE 711 WIDE ARCH EPDM SPHERICAL CONNECTOR	
DRAWN BY: DKISH	DATE: 1/20/2014
APPROVED: JC	DATE: 1/20/2014
SCALE: NONE	DRAWING NUMBER: 711EE