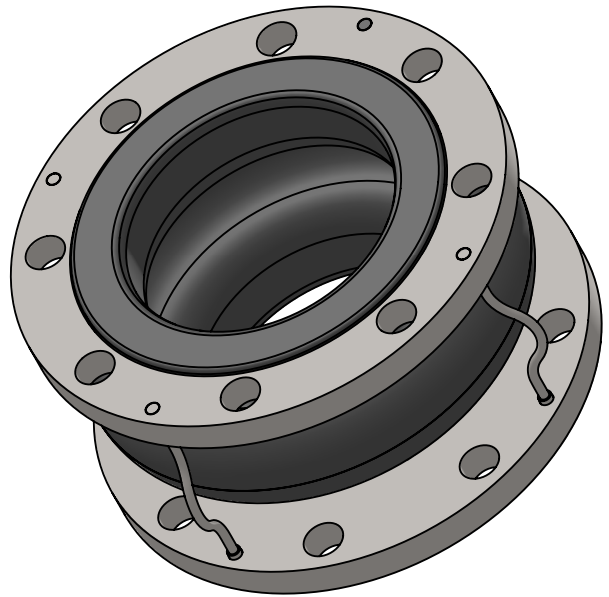
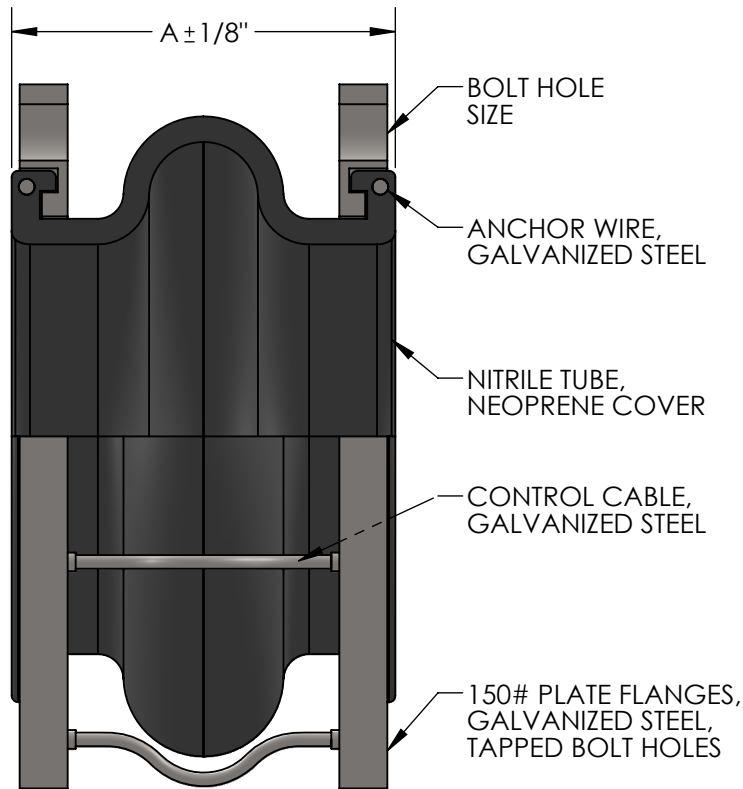


**CABLESPHERE, MODEL MSRCDPN
NITRILE EXPANSION JOINT, DRILLED BOLT HOLES**



MAXIMUM OPERATING CONDITIONS

TEMPERATURE	PRESSURE (PSI)
170°	225
180°	200
190°	175
200°	150
210°	125
220°	100
230°	75

MAXIMUM WORKING TEMPERATURE 230°F

NOTES:
WWW.METRAFLEX.COM FOR INSTALLATION INSTRUCTIONS.
JOINT MUST BE INSTALLED AT ITS NEUTRAL LENGTH.
BOLTS MUST BE PROPERLY TORQUED.
NOT SUITABLE FOR STEAM OR VACUUM APPLICATIONS.

QTY	PART NUMBER	PIPE SIZE		A	AXIAL COMP.	FORCE (LBS)	AXIAL EXT.	FORCE (LBS)	LATERAL OFFSET	FORCE (LBS)	ANGULAR	WEIGHT (LBS)	BOLT HOLE SIZE	CABLES
		INCH	MM											
	MSRCDPN0200	2"	50	6"	1/2"	55	1/8"	73	1/2"	55	15°	8	3/4"	2
	MSRCDPN0250	2-1/2"	65	6"	1/2"	102	1/8"	68	1/2"	97	15°	13	3/4"	2
	MSRCDPN0300	3"	80	6"	1/2"	136	1/8"	115	1/2"	108	15°	14	3/4"	2
	MSRCDPN0400	4"	100	6"	5/8"	145	1/8"	242	1/2"	275	15°	18	3/4"	2
	MSRCDPN0500	5"	125	6"	5/8"	172	1/8"	196	1/2"	308	15°	23	7/8"	2
	MSRCDPN0600	6"	150	6"	5/8"	293	1/8"	563	1/2"	484	15°	28	7/8"	4
	MSRCDPN0800	8"	200	6"	5/8"	372	1/8"	587	1/2"	688	15°	40	7/8"	4
	MSRCDPN1000	10"	250	8"	3/4"	398	1/4"	455	3/4"	781	15°	68	1"	4
	MSRCDPN1200	12"	300	8"	3/4"	390	1/4"	356	3/4"	842	15°	94	1"	4


NSF 372 - LEAD FREE

The wetted surface of this product contacted by consumable water contains less than one quarter of one percent (0.25%) of lead by weight. Material complies with state codes and standards, where applicable, requiring reduced lead content.

CUSTOMER: _____

PROJECT: _____

ENGINEER: _____

REV.	DATE
	
2323 W. HUBBARD ST. CHICAGO, IL 60612 TEL: 312-738-3800 FAX: 312-738-0415 WWW.METRAFLEX.COM	
CABLESPHERE MODEL MSRCDPN NITRILE EXPANSION JOINT, DRILLED BOLT HOLES	
DRAWN BY: DKISH	DATE: 1/19/2017
APPROVED: JC	DATE: 1/23/2017
SCALE: N/A	DRAWING NUMBER: MSRCDPN-1