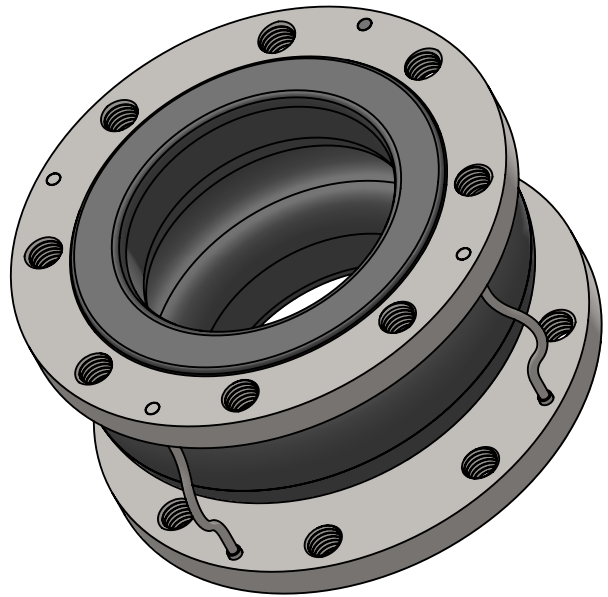
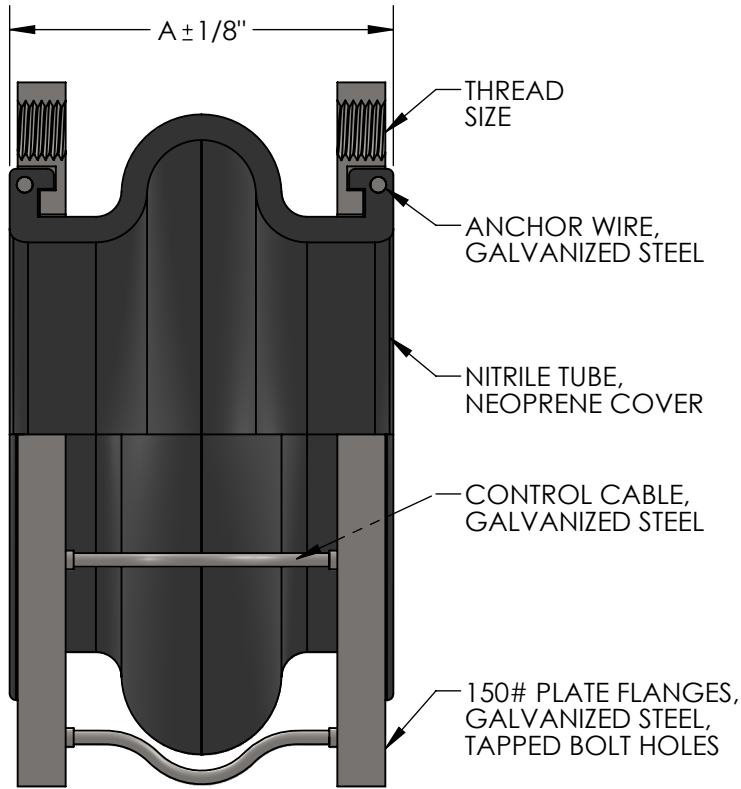


**CABLESPHERE, MODEL MSRCPN
NITRILE EXPANSION JOINT, TAPPED BOLT HOLES**



MAXIMUM OPERATING CONDITIONS

| TEMPERATURE | PRESSURE (PSI) |
|-------------|----------------|
| 170° | 225 |
| 180° | 200 |
| 190° | 175 |
| 200° | 150 |
| 210° | 125 |
| 220° | 100 |
| 230° | 75 |

MAXIMUM WORKING TEMPERATURE 230°F

NOTES:
WWW.METRAFLEX.COM FOR INSTALLATION INSTRUCTIONS.
JOINT MUST BE INSTALLED AT ITS NEUTRAL LENGTH.
BOLTS MUST BE PROPERLY TORQUED.
NOT SUITABLE FOR STEAM OR VACUUM APPLICATIONS.

| QTY | PART NUMBER | PIPE SIZE | | A | AXIAL COMP. | FORCE (LBS) | AXIAL EXT. | FORCE (LBS) | LATERAL OFFSET | FORCE (LBS) | ANGULAR | WEIGHT (LBS) | THREAD SIZE (UNC) | CABLES |
|-----|-------------|-----------|-----|----|-------------|-------------|------------|-------------|----------------|-------------|---------|--------------|-------------------|--------|
| | | INCH | MM | | | | | | | | | | | |
| | MSRCPN0200 | 2" | 50 | 6" | 1/2" | 55 | 1/8" | 73 | 1/2" | 55 | 15° | 8 | 5/8" | 2 |
| | MSRCPN0250 | 2-1/2" | 65 | 6" | 1/2" | 102 | 1/8" | 68 | 1/2" | 97 | 15° | 13 | 5/8" | 2 |
| | MSRCPN0300 | 3" | 80 | 6" | 1/2" | 136 | 1/8" | 115 | 1/2" | 108 | 15° | 14 | 5/8" | 2 |
| | MSRCPN0400 | 4" | 100 | 6" | 5/8" | 145 | 1/8" | 242 | 1/2" | 275 | 15° | 18 | 5/8" | 2 |
| | MSRCPN0500 | 5" | 125 | 6" | 5/8" | 172 | 1/8" | 196 | 1/2" | 308 | 15° | 23 | 3/4" | 2 |
| | MSRCPN0600 | 6" | 150 | 6" | 5/8" | 293 | 1/8" | 563 | 1/2" | 484 | 15° | 28 | 3/4" | 4 |
| | MSRCPN0800 | 8" | 200 | 6" | 5/8" | 372 | 1/8" | 587 | 1/2" | 688 | 15° | 40 | 3/4" | 4 |
| | MSRCPN1000 | 10" | 250 | 8" | 3/4" | 398 | 1/4" | 455 | 3/4" | 781 | 15° | 68 | 7/8" | 4 |
| | MSRCPN1200 | 12" | 300 | 8" | 3/4" | 390 | 1/4" | 356 | 3/4" | 842 | 15° | 94 | 7/8" | 4 |


NSF 372 - LEAD FREE

The wetted surface of this product contacted by consumable water contains less than one quarter of one percent (0.25%) of lead by weight. Material complies with state codes and standards, where applicable, requiring reduced lead content.

CUSTOMER: _____

PROJECT: _____

ENGINEER: _____

| | |
|---|---------------------------------|
| REV. | DATE |
|  | |
| 2323 W. HUBBARD ST. CHICAGO, IL 60612 TEL: 312-738-3800 FAX: 312-738-0415 WWW.METRAFLEX.COM | |
| CABLESPHERE MODEL MSRCPN NITRILE EXPANSION JOINT, TAPPED BOLT HOLES | |
| DRAWN BY: DKISH | DATE: 1/19/2017 |
| APPROVED: JC | DATE: 1/23/2017 |
| SCALE: N/A | DRAWING NUMBER: MSRCPN-1 |