

ITEM	PART NAME	MATERIAL
1	BODY	SILICON BRONZE ASTM B584 ALLOY C87850
2	STEM	STAINLESS STEEL ASTM A582 ALLOY S30300
3	SPRING	STAINLESS STEEL TYPE 316
4	DISC HOLDER	STAINLESS STEEL TYPE 316
5	DISC	PTFE
6	SEAT SCREW	STAINLESS STEEL ASTM A276 ALLOY S43000
7	BODY END	SILICON BRONZE ASTM B584 ALLOY C87850

**NSF 372 - LEAD FREE**

The wetted surface of this product contacted by consumable water contains less than one quarter of one percent (0.25%) of lead by weight. Material complies with state codes and standards, where applicable, requiring reduced lead content.

QTY	PART NUMBER	SIZE (in)	A (in)	B (in)	WEIGHT (lbs)	PROJECT INFO
	BSNPW0050	1/2	2-1/16	1-3/8	0.40	
	BSNPW0075	3/4	2-1/4	1-5/8	0.52	
	BSNPW0100	1	2-5/8	2	0.85	
	BSNPW0125	1-1/4	2-15/16	2-3/8	1.28	
	BSNPW0150	1-1/2	3-5/16	2-3/4	1.75	
	BSNPW0200	2	3-11/16	3-3/8	2.70	

**DESIGN SPECIFICATIONS:**

PRESSURE RATING: 250 PSI NON-SHOCK COLD WORKING PRESSURE  
 MAXIMUM PRESSURE/TEMPERATURE: 100 PSI @ 300°F


**NOTES:**

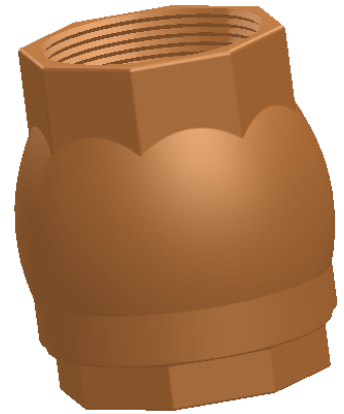
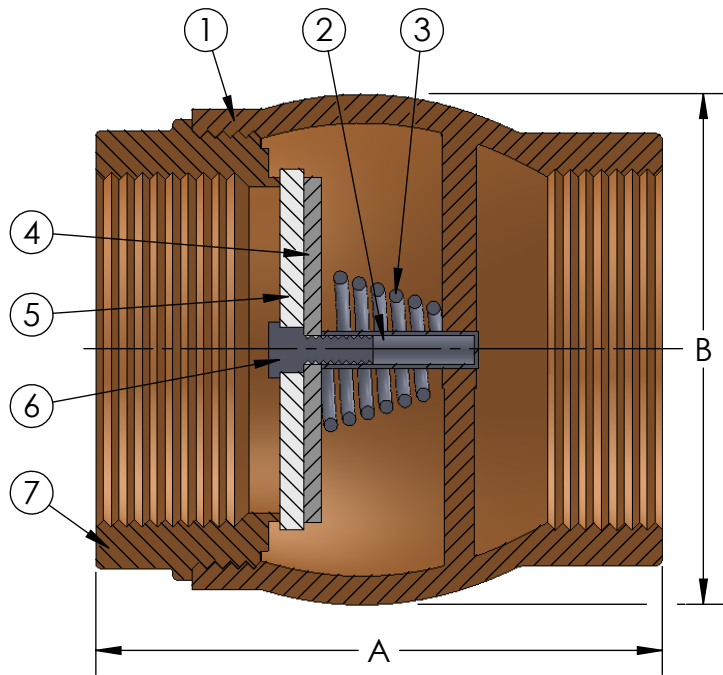
Valve is designed for liquid service only. Install as far away from pump discharge or line direction change as possible and at a minimum length of 5 pipe diameters.

CUSTOMER: \_\_\_\_\_

PROJECT: \_\_\_\_\_

ENGINEER: \_\_\_\_\_

REV.	DATE
	
2323 W. HUBBARD ST. CHICAGO, IL 60612 TEL: 312-738-3800 FAX: 312-738-0415 WWW.METRAFLEX.COM	
<h2>MODEL BSNPW</h2>	
<b>LEAD FREE SCREWED-END BRONZE CHECK VALVE</b>	
DRAWN BY: <b>DKISH</b>	DATE: <b>4/9/2015</b>
APPROVED: <b>ZB</b>	DATE: <b>4/9/2015</b>
SCALE: <b>N/A</b>	DRAWING NUMBER: <b>BSNPW</b>



ITEM	PART NAME	MATERIAL
1	BODY	BRONZE ASTM B584 ALLOY C84400
2	STEM	STAINLESS STEEL ASTM 582 ALLOY C30300
3	SPRING	STAINLESS STEEL TYPE 316
4	DISC HOLDER	STAINLESS STEEL TYPE 301
5	DISC	TEFLON
6	SEAT SCREW	STAINLESS STEEL ASTM A276
7	BODY END	BRONZE ASTM B584 ALLOY C84400

**DESIGN SPECIFICATIONS:**  
 Maximum Temperature: 250°F  
 Maximum Pressure:  
     Saturated Steam - 125 PSI  
     Non-Shock W.O.G. - 250 PSI

Qty.	Part Number	Size (in)	A (in)	B (in)	Weight (Lbs)	Project Info
	BSN0050	1/2	2-1/16	1-3/8	0.36	
	BSN0075	3/4	2-1/4	1-5/8	0.48	
	BSN0100	1	2-5/8	2	0.77	
	BSN0125	1-1/4	2-15/16	2-3/8	1.14	
	BSN0150	1-1/2	3-5/16	2-3/4	1.63	
	BSN0200	2	3-11/16	3-3/8	2.27	

**NOTE:**  
 Valve is designed for liquid service only. Install 3 to 4 pipe diameters downstream from pump discharge or elbow to avoid flow turbulence.

CUSTOMER: \_\_\_\_\_

PROJECT: \_\_\_\_\_

ENGINEER: \_\_\_\_\_

REV.	DATE
2323 W. HUBBARD ST. CHICAGO, IL 60612 TEL: 312-738-3800 FAX: 312-738-0415 WWW.METRAFLEX.COM	
<b>MODEL BSN</b> SCREWED-END BRONZE CHECK VALVE	
DRAWN BY: <b>DKISH</b>	DATE: <b>8/28/2013</b>
APPROVED: <b>JC</b>	DATE: <b>8/28/2013</b>
SCALE: <b>NONE</b>	DRAWING NUMBER: <b>BSN</b>