

MAX NON-SHOCK  
WORKING PSI

TEMPERATURE	CLASS 125	CLASS 250
150°F	200	400
200°F	190	370

## LEAD FREE

The wetted surface of this product contacted by consumable water contains less than one quarter of one percent (0.25%) of lead by weight. Material complies with state codes and standards, where applicable, requiring reduced lead content.

ITEM	PART NAME	MATERIAL	ASTM NO.
1	BODY	CAST IRON	A126 CL. B
2	SEAT	STAINLESS	T304
3	PLUG	STAINLESS	T304
4	SPRING	STAINLESS	T304
5	BUSHING	STAINLESS	T304
6	SCREW	STAINLESS	T304

### Notes:

Valve is designed for liquid service only. Install 5 to 10 pipe diameters downstream from pump discharge or elbows to avoid flow turbulence. Valve is designed to be mated to ANSI B16.5 steel flanges.

Valve complies with MSS-SP-125-2010.

ANSI CLASS 125 & 250							
Qty.	Part Number	Size I.D. (in)	A (in)	B (in)	Cv*	Weight (Lbs)	Project Info
	CVOSS702	2	4-1/4	2-5/8	66	6	
	CVOSS7025	2-1/2	5	2-7/8	88	8	
	CVOSS703	3	5-3/4	3-1/8	130	11	
	CVOSS704	4	7	4	228	18	
	CVOSS705	5	8-3/8	4-3/4	350	28	
	CVOSS706	6	9-3/4	5-1/2	520	43	
ANSI CLASS 125 ONLY							
	CVOSS708	8	13-3/8	6-1/2	900	86	
	CVOSS710	10	16	8-1/4	1450	133	
ANSI CLASS 250 ONLY							
	CVOSS758	8	13-3/8	6-1/2	900	88	
	CVOSS760	10	16	8-1/4	1450	137	

\*Cv is the number of U.S. gallons/minute of 60°F water that will flow through a valve with 1 PSI of pressure drop across the valve.



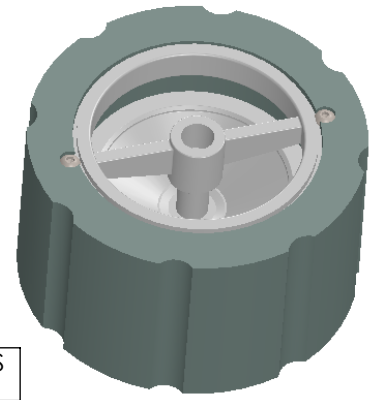
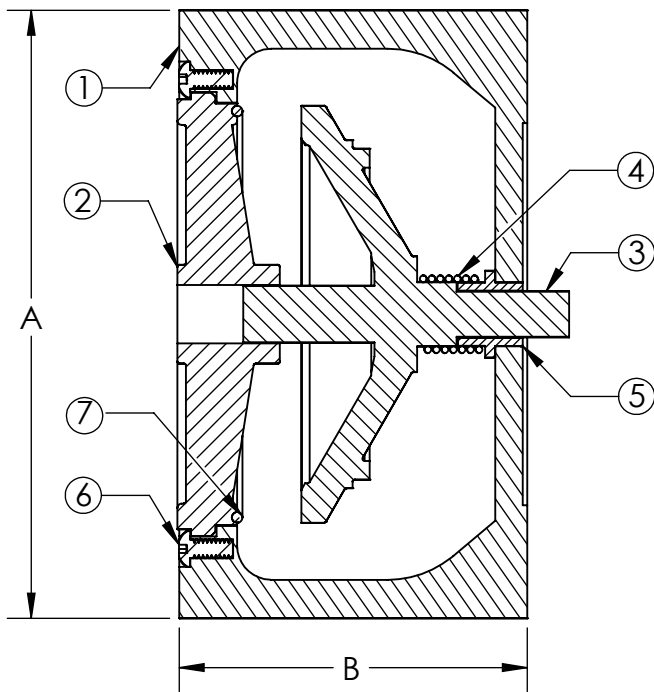
FOR ADDITIONAL FLOW STRAIGHTENING  
SEE THE VANE FLEX AT  
[www.metroflex.com/vaneflex](http://www.metroflex.com/vaneflex)

CUSTOMER: \_\_\_\_\_

PROJECT: \_\_\_\_\_

ENGINEER: \_\_\_\_\_

REV.	1	DRAWING REVISED	DATE 10/11/2013
		2323 W. HUBBARD ST. CHICAGO, IL 60612 TEL: 312-738-3800 FAX: 312-738-0415 WWW.METRAFLEX.COM	
<h2>MODEL CVO700-SS</h2> <p>WAFER STYLE SILENT CHECK VALVE W/ SS TRIM</p>			
DRAWN BY: <b>DKISH</b>		DATE: <b>8/27/2013</b>	
APPROVED: <b>JC</b>		DATE: <b>8/27/2013</b>	
SCALE:	DRAWING NUMBER:		
NONE	CVO700-SS		



MAX NON-SHOCK  
WORKING PSI

TEMPERATURE	CLASS 125	CLASS 250
150°F	200	400
200°F	190	370

## LEAD FREE

The wetted surface of this product contacted by consumable water contains less than one quarter of one percent (0.25%) of lead by weight. Material complies with state codes and standards, where applicable, requiring reduced lead content.

ITEM	PART NAME	MATERIAL	ASTM NO.
1	BODY	CAST IRON	A126 CL. B
2	SEAT	DUCTILE IRON	A536, Ni Coat
3	PLUG	DUCTILE IRON	A536, Ni Coat
4	SPRING	STAINLESS	T304
5	BUSHING	STAINLESS	T304
6	SCREW	STAINLESS	T304
7	O-RING	EPDM	D2000

### Notes:

Valve is designed for liquid service only. Install 5 to 10 pipe diameters downstream from pump discharge or elbows to avoid flow turbulence. Valve is designed to be mated to ANSI B16.5 steel flanges.

Valve complies with MSS-SP-125-2010.

ANSI CLASS 125 & 250							
Qty.	Part Number	Size I.D. (in)	A (in)	B (in)	Cv*	Weight (Lbs)	Project Info
	CVODINC702	2	4-1/4	2-5/8	66	5	
	CVODINC7025	2-1/2	5	2-7/8	88	8	
	CVODINC703	3	5-3/4	3-1/8	130	11	
	CVODINC704	4	7	4	228	18	
	CVODINC705	5	8-3/8	4-3/4	350	27	
	CVODINC706	6	9-3/4	5-1/2	520	52	
ANSI CLASS 125 ONLY							
	CVODINC708	8	13-3/8	6-1/2	900	86	
	CVODINC710	10	16	8-1/4	1450	129	
ANSI CLASS 250 ONLY							
	CVODINC758	8	13-3/8	6-1/2	900	92	
	CVODINC760	10	16	8-1/4	1450	137	

\*Cv is the number of U.S. gallons/minute of 60°F water that will flow through a valve with 1 PSI of pressure drop across the valve.



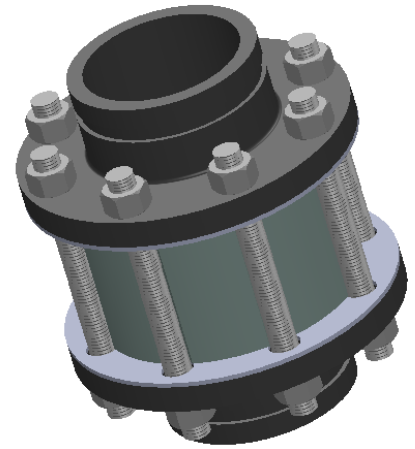
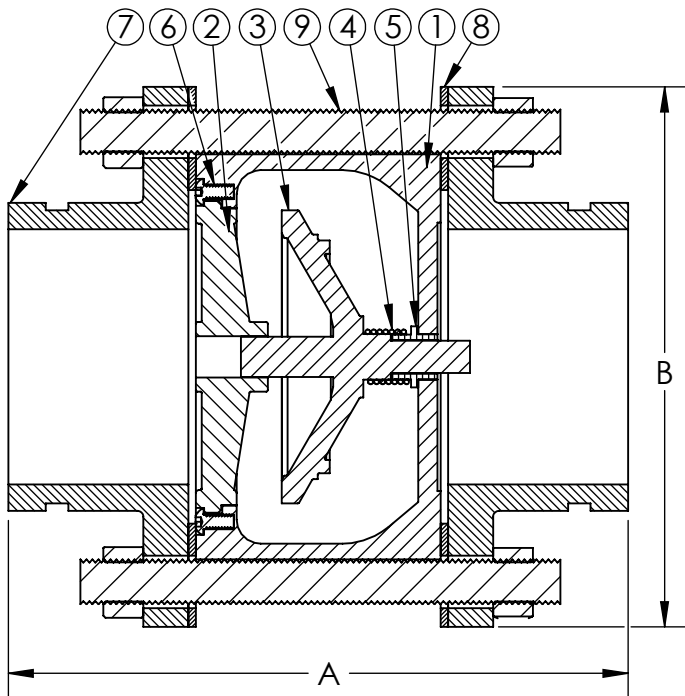
FOR ADDITIONAL FLOW STRAIGHTENING  
SEE THE VANE FLEX AT  
[www.metraflex.com/vaneflex](http://www.metraflex.com/vaneflex)

CUSTOMER: \_\_\_\_\_

PROJECT: \_\_\_\_\_

ENGINEER: \_\_\_\_\_

REV.	1	DRAWING REVISED	DATE 10/11/2013
		2323 W. HUBBARD ST. CHICAGO, IL 60612 TEL: 312-738-3800 FAX: 312-738-0415 WWW.METRAFLEX.COM	
<b>MODEL CVO700-DINC</b>			
WAFFER STYLE SILENT CHECK VALVE W/ NICKEL COATED DUCTILE IRON TRIM			
DRAWN BY: <b>DKISH</b>		DATE: <b>8/27/2013</b>	
APPROVED: <b>JC</b>		DATE: <b>8/27/2013</b>	
SCALE:	DRAWING NUMBER:		
NONE	CVO700-DINC		



MAX NON-SHOCK  
WORKING PSI

TEMPERATURE	PSI
150°F	200
200°F	190

### LEAD FREE

The wetted surface of this product contacted by consumable water contains less than one quarter of one percent (0.25%) of lead by weight. Material complies with state codes and standards, where applicable, requiring reduced lead content.

#### Notes:

Valve is designed for liquid service only. Install 5 to 10 pipe diameters downstream from pump discharge or elbows to avoid flow turbulence.

Valve complies with MSS-SP-125-2010.



FOR ADDITIONAL FLOW STRAIGHTENING  
SEE THE VANE FLEX AT  
[www.metroflex.com/vaneflex](http://www.metroflex.com/vaneflex)

ITEM	PART NAME	MATERIAL	ASTM NO.
1	BODY	CAST IRON	A126 CL. B
2	SEAT	STAINLESS	T304
3	PLUG	STAINLESS	T304
4	SPRING	STAINLESS	T304
5	BUSHING	STAINLESS	T304
6	SCREW	STAINLESS	T304
7	GROOVED END	DUCTILE IRON	A395
8	150# GASKET	GRAPHITE	N/A
9	THREADED ROD	CARBON STEEL	A307

Qty.	Part Number	Valve Size (in)	A (in)	B (in)	Cv*	Weight (Lbs)	Project Info
	CVGSS702	2	6	6	66	14	
	CVGSS7025	2-1/2	6-1/4	7	88	20	
	CVGSS703	3	6-7/16	7-1/2	130	26	
	CVGSS704	4	8-1/8	9	228	42	
	CVGSS705	5	11-1/4	10	350	60	
	CVGSS706	6	12-1/4	11	520	79	
	CVGSS708	8	13-3/4	13-1/2	900	152	
	CVGSS710	10	16	16	1450	225	

\*Cv is the number of U.S. gallons/minute of 60°F water that will flow through a valve with 1 PSI of pressure drop across the valve.

CUSTOMER: \_\_\_\_\_

PROJECT: \_\_\_\_\_

ENGINEER: \_\_\_\_\_

REV.	1	WEIGHTS/DRAWING UPDATED	DATE 11/25/2013
		2323 W. HUBBARD ST. CHICAGO, IL 60612 TEL: 312-738-3800 FAX: 312-738-0415 WWW.METRAFLEX.COM	
<h2>MODEL CVG700-SS</h2>			
GROOVED-END WAFER STYLE SILENT CHECK VALVE W/ SS TRIM			
DRAWN BY: <b>DKISH</b>		DATE: <b>8/27/2013</b>	
APPROVED: <b>JC</b>		DATE: <b>8/27/2013</b>	
SCALE: <b>NONE</b>	DRAWING NUMBER: <b>CVG700-SS</b>		