


PIPE SIZE	ACTUAL I.D.
2"	2.067"
2.5"	2.469"
3"	3.068"
3.5"	3.548"
4"	4.026"
5"	5.047"
6"	6.065"
8"	7.981"
10"	10.02"
12"	12.00"
14"	13.25"
16"	15.25"
18"	17.25"
20"	19.25"
22"	21.25"
24"	23.25"
26"	25.25"
28"	27.25"
30"	29.25"
32"	31.25"
34"	33.25"
36"	35.25"
38"	37.25"
40"	39.25"
42"	41.25"
44"	43.25"
46"	45.25"
48"	47.25"
50"	49.25"
52"	51.25"
54"	53.25"

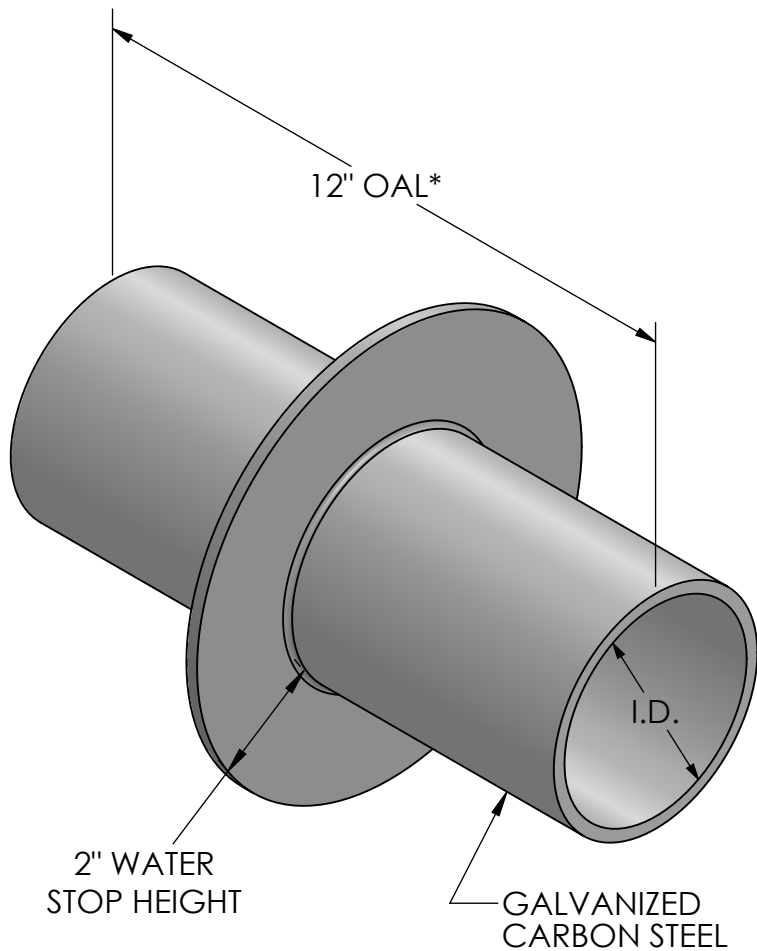
*OPTIONAL LENGTHS AND WATER STOP HEIGHTS ARE AVAILABLE. CONTACT YOUR METRAFLEX REPRESENTATIVE FOR MORE INFORMATION.

CUSTOMER: _____

PROJECT: _____

ENGINEER: _____

REV.	DATE
	
2323 W. HUBBARD ST. CHICAGO, IL 60612 TEL: 312-738-3800 FAX: 312-738-0415 WWW.METRAFLEX.COM	
PVC WALL SLEEVE	
DRAWN BY: DKISH	DATE: 7/31/2015
APPROVED:	DATE:
SCALE: N/A	DRAWING NUMBER: WALLSLV




PIPE SIZE	ACTUAL I.D.
2"	2.087"
2.5"	2.559"
3"	3.150"
4"	4.134"
5"	5.157"
6"	6.142"
8"	8.110"
10"	10.039"
12"	12.008"
14"	13.110"
16"	15.118"
18"	17.323"
20"	19.213"
22"	21.260"
24"	23.228"
26"	24.882"
30"	28.898"

*OPTIONAL LENGTHS AND SIZES ARE AVAILABLE.
CONTACT YOUR METRAFLEX REPRESENTATIVE
FOR MORE INFORMATION.

CUSTOMER: _____

PROJECT: _____

ENGINEER: _____

REV.	DATE
	
2323 W. HUBBARD ST. CHICAGO, IL 60612 TEL: 312-738-3800 FAX: 312-738-0415 WWW.METRAFLEX.COM	
GALVANIZED STEEL WALL SLEEVE	
DRAWN BY: DKISH	DATE: 9/18/2015
APPROVED:	DATE:
SCALE: N/A	DRAWING NUMBER: GALVWALLSLV