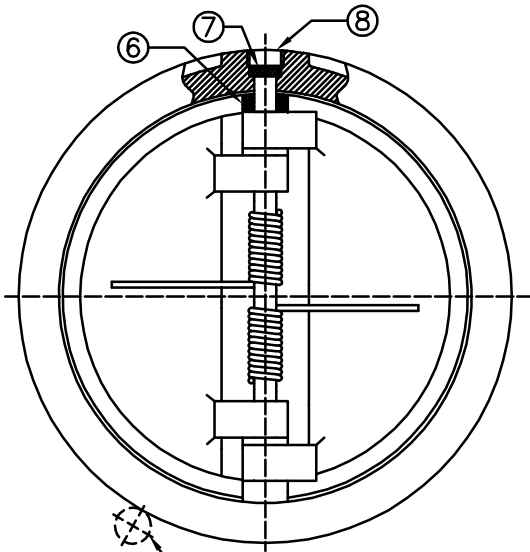
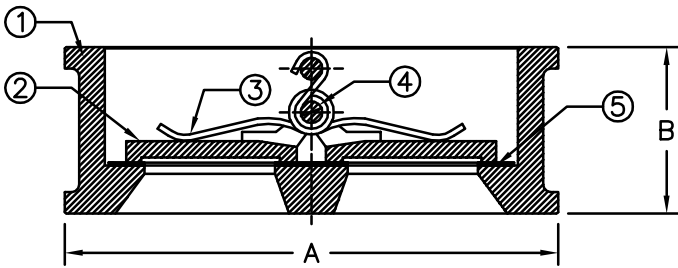


CVXXK 125# WAFER DOUBLE DISC CHECK VALVE



CENTER THE VALVE
WITHIN THE ANSI CLASS
125 BOLT CIRCLE

SERVICE TEMPERATURE RANGE: 25°F TO 200°F

MAX. NON-SHOCK WORKING PSI 125# ANSI B16.1 FLANGE RATING		
NPS	TEMPERATURE (°F)	
	150	200
2" TO 12"	200 PSI	190 PSI
14" AND UP	150 PSI	135 PSI



FOR ADDITIONAL FLOW
STRAIGHTENING SEE THE
VANEFLEX AT
WWW.METRAFLEX.COM/VANEFLEX
[LEARN MORE>>>](#)

CUSTOMER: _____

PROJECT: _____

ENGINEER: _____

QTY	DIMENSIONS			WEIGHT (lb)
	NPS	A (in)	B (in)	
1	1 1/2	3 1/4	1 3/4	3
2	2	4	1 3/4	3
2	1 1/2	4 3/4	1 7/8	5
3	3	5 1/4	2 1/2	8
4	4	6 3/4	2 1/2	10
5	5	6 5/8	2 3/4	13
6	6	8 5/8	3	19
8	8	10 7/8	3 1/2	34
10	10	13 1/4	4 1/2	53
12	12	16	4 1/2	78
14	14	17 5/8	5	128
16	16	20	5 1/2	157
18	18	21 1/2	6	216
20	20	23 3/4	6	276
24	24	28 1/8	7	375


PARTS LIST		
TAG	NAME	MATERIAL
1	BODY	CAST IRON
2	DISC	304 STAINLESS
3	SPRING	304 STAINLESS
4	SHAFT	304 STAINLESS
5	SEAT	EPDM
6	WASHER	PTFE
7	SEAL	NBR
8	SET SCREW	304 STAINLESS

STEEL EYE BOLTS ON NPS 5 AND LARGER

NOTES:

1. VALVE IS DESIGNED FOR LIQUID SERVICE ONLY. INSTALL 5 TO 10 PIPE DIAMETERS DOWNSTREAM FROM PUMP DISCHARGE OR ELBOWS TO AVOID TURBULENCE, OR USE WITH A VANEFLEX CONNECTOR.
2. VALVE IS DESIGNED TO BE MATED TO STANDARD STEEL FLANGES.
3. FOR VERTICAL PIPE, INSTALL WITH FLOW UP.
4. FOR HORIZONTAL PIPE, INSTALL WITH HINGE PIN IN VERTICAL POSITION.

REV.	DATE	DESCRIPTION
1	09/14/2011	VF, BOLT CIRC INCL., EDITED FLG RATING TABLE


Metraflex
 2323 W. HUBBARD ST.
 CHICAGO, IL 60612
 TEL: 312-738-3800
 FAX: 312-738-0415
 WWW.METRAFLEX.COM

DESCRIPTION:
125# WAFER DOUBLE-DISC CHECK VALVE

DRAWN BY: MIR	DATE: 09/14/2011
APPROVED: ZB	DATE: 09/14/2011
SCALE: NONE	DRAWING NUMBER: CVXXK