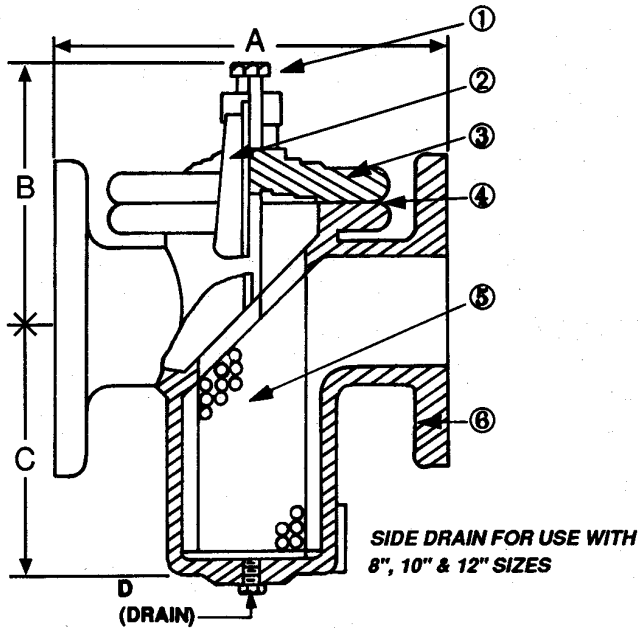


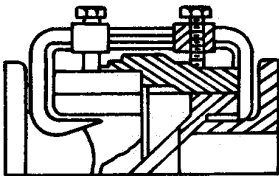
# STYLE B-1-T C BASKET-TYPE 125# CLAMP COVER STRAINER

ISO 9002  
QUALITY ASSURANCE



LIST OF MATERIALS		
ITEM	PART NAME	MATERIAL
1	Screw Clamp	Steel ASTMA307-B
2	Clamp	Ductile Iron ASTM A536
3	Cover	Cast Iron ASTMA126-B
4	Gasket	Non-Asbestos Fiber
5	Screen	Stainless Steel T-304
6	Body	Cast Iron ASTMA126-B

OPERATING PRESSURE AND TEMPERATURE			
SERVICE	SIZE	P.S.I.	TEMP.
WATER	2" - 4"	200	200°F
	5" - 6"	150	
	8" - 12"	100	



CLAMP COVER ARRANGEMENT  
FOR 10" & 12" SIZES

STANDARD BASKET SCREENS		
SIZE	SCREEN OPENING	SCREEN MATERIAL
2" thru 3"	.045 Perf.	STAINLESS STEEL
4" thru 12"	.125 Perf.	STAINLESS STEEL

ONLY CLOSED BOTTOM BASKETS FURNISHED.

DIMENSIONAL DATA								Notes
Qty.	Pipe Size	A	B	C	Drain NPT	Weight #	Screen Area	
	2"	8"	6-1/4"	5"	3/4"	26	26.5"	
	2-1/2"	8-1/4"	6-1/2"	6"	3/4"	37	40.6	
	3"	9-3/4"	7-5/8"	7-1/8"	3/4"	50	68.9	
	4"	11-1/2"	8-7/8"	8"	1"	74	94.8	
	5"	13-1/8"	10"	8-3/4"	1"	97	123.1	
	6"	14-3/4"	10-3/8"	9-3/8"	1-1/4"	131	151.9	
	8"	18-1/2"	13-5/8"	11-3/4"	3/4"	236	268.0	
	10"	20-1/8"	14-1/8"	13-3/4"	3/4"	382	386.1	
	12"	26-1/4"	17-1/8"	16-3/8"	1"	783	580.4	

CUSTOMER \_\_\_\_\_  
 PROJECT \_\_\_\_\_  
 ENGINEER \_\_\_\_\_  
 ARCHITECT \_\_\_\_\_  
 INQ. OR P.O. NO \_\_\_\_\_

*the Metraflex company*  
 CHICAGO ILLINOIS

DESCRIPTION:  
**125# BASKET STRAINERS**  
 CLAMP COVER MODEL B-I-T C

DRAWN BY : TH      DATE: 10-2-91      DRAWING NO: B-1-T C