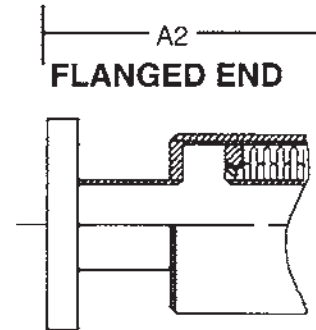
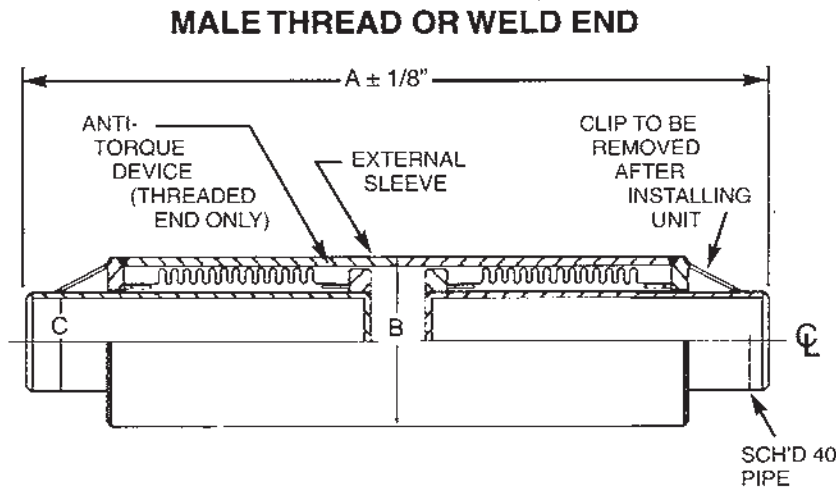


MODEL HPD4 EXPANSION COMPENSATOR HIGH PRESSURE



Available with 150# drilled flat face plate steel flanges.

*This expansion joint is designed for axial movement only.
Pipe must be properly guided and anchored per the recommendations of the Expansion Joint Manufacturers Association.*

QTY.	PIPE SIZE		WELD END A1	FLANGED A2	B	C	NOTES
	INCH	MM					
	3/4"	20	23-1/2"	24-1/8"	2-3/8"	1.05	
	1	25	23-1/2	24-1/8	2-1/2	1.31	
	1-1/4	32	23	23-5/8	3	1.66	
	1-1/2	38	23-1/2	24-1/8	3-1/2	1.9	
	2	50	23	23-5/8	4	2.37	
	2-1/2	65	23	23-5/8	5	2.87	
	3	80	24-1/4	24-7/8	5-1/2	2.87	
	4	100	24-3/4	25-3/8	6-5/8	4.50	

DESIGN DATA:

TEMP. 750° F. (399°C)
 PRESS. 175 PSI, (1206 K Pa(g))
 TEST PRESS. 250 PSI, (1809 K Pa(g))
 AXIAL MOVEMENT 1" EXPANSION, (25mm)
 4" COMPRESSION, (100mm)

MILITARY SPECS.

CONFORMS TO MIL-E-17813D

MATERIAL:

BELLOWS-MULTI-PLY S.S. T304
 OTHER PARTS-CARBON STEEL

CUSTOMER _____
 PROJECT _____
 ENGINEER _____
 ARCHITECT _____
 PRO. OR P.O. NO _____

Metraflex
for pipes in motion
 Chicago, IL

DESCRIPTION:
**DUAL HIGH PRESSURE COMPENSATOR
 MODEL HPD4**

DRAWN BY: J.B. DATE: 7-16-02 DRAWING NO: HPD4/HPDF4