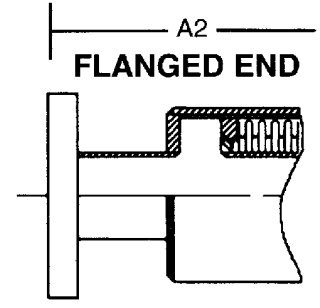
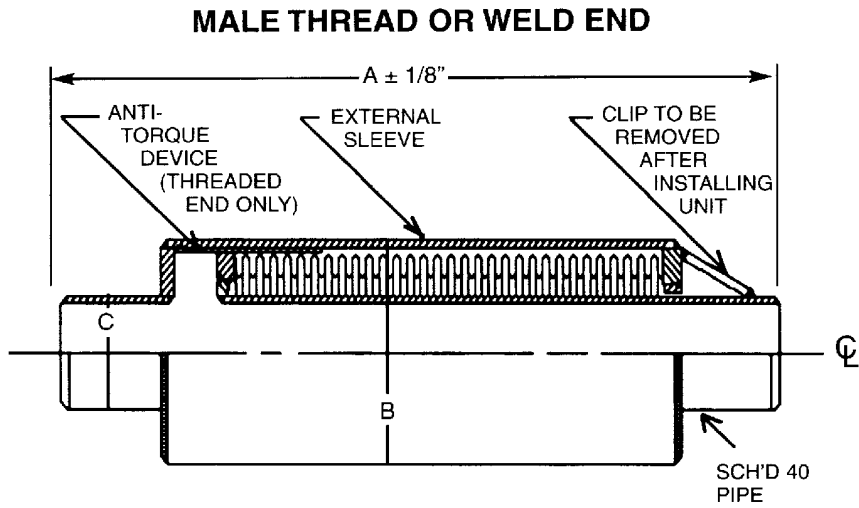


MODEL HP3 EXPANSION COMPENSATOR HIGH PRESSURE



Available with 150# drilled flat face plate steel flanges.

*This expansion joint is designed for axial movement only.
Pipe must be properly guided and anchored per the recommendations of the Expansion Joint Manufacturers Association.*

QTY.	PIPE SIZE		WELD END A1	FLANGED A2	B	C	NOTES
	INCH	MM					
	3/4"	20	16-1/2"	17-1/8"	2-3/8"	1.05"	
	1	25	16-1/2"	17-1/8"	2-1/2"	1.31"	
	1-1/4	32	16-1/2"	17-1/8"	3"	1.66"	
	1-1/2	38	17-1/2"	18-1/8"	3-1/2"	1.90"	
	2	50	17-1/2"	18-1/8"	4"	2.37"	
	2-1/2	65	18-3/4"	19-3/8"	5"	2.87"	
	3	80	19-1/4"	19-7/8"	5-1/2"	2.87"	
	4	100	19-1/4"	19-7/8"	6-5/8"	4.50"	

DESIGN DATA:
 TEMP. 750° F. (399°C)
 PRESS. 175 PSI, (1206 K Pa(g))
 TEST PRESS. 250 PSI, (1809 K Pa(g))
 AXIAL MOVEMENT 1/2" EXPANSION, (13mm)
 3" COMPRESSION, (80 mm)

MILITARY SPECS.
 CONFORMS TO MIL-E-17813D

MATERIAL:
 BELLOWS-MULTI-PLY S.S. T304
 OTHER PARTS-CARBON STEEL

REV.	DATE	DESCRIPTION
A	9/14/87	"B"

CUSTOMER _____
 PROJECT _____
 ENGINEER _____
 ARCHITECT _____
 PRO. OR P.O. NO _____

the Metraflex® company
 CHICAGO ILLINOIS

DESCRIPTION:
**HIGH PRESSURE COMPENSATOR
 MODEL HP3**

DRAWN BY: J.R.R.	DATE: 5-5-99	DRAWING NO: HP3/HPF3
----------------------------	------------------------	--------------------------------