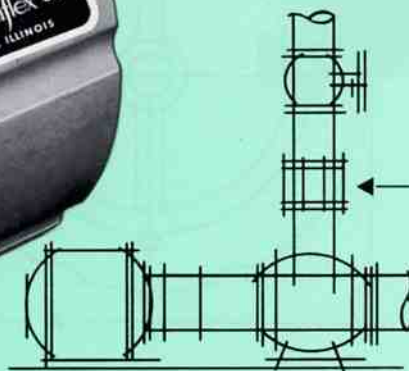


but not heard *



* BETWEEN PUMP AND DISCHARGE HEADER

Metraflex *silent check valves*

Eliminate water hammer with a check valve that operates smoothly and *silently* itself. The MetraFlex #700 Series features hand-lapped bronze to bronze seating with special stainless steel spring control to insure positive, noiseless opening and closing.

MetraFlex Check Valves are applicable to all water systems . . . **rated** for both 125 lb. and 250 lb. flange class . . . **made** in eight standard sizes: 2" through 10" . . . **work** in any position . . . **activated** at $\frac{1}{4}$ to $\frac{1}{2}$ psi . . . **constructed** of semi-steel body with bronze or stainless steel trim . . . **compacted** into shortest possible face-to-face dimensions . . . **designed** with larger-than-pipe-size flow area for low pressure loss with maximum efficiency.

Intended for liquid service only.

see sizes and specifications on reverse side ►

"Inside" Metraflex Silent Check Valves

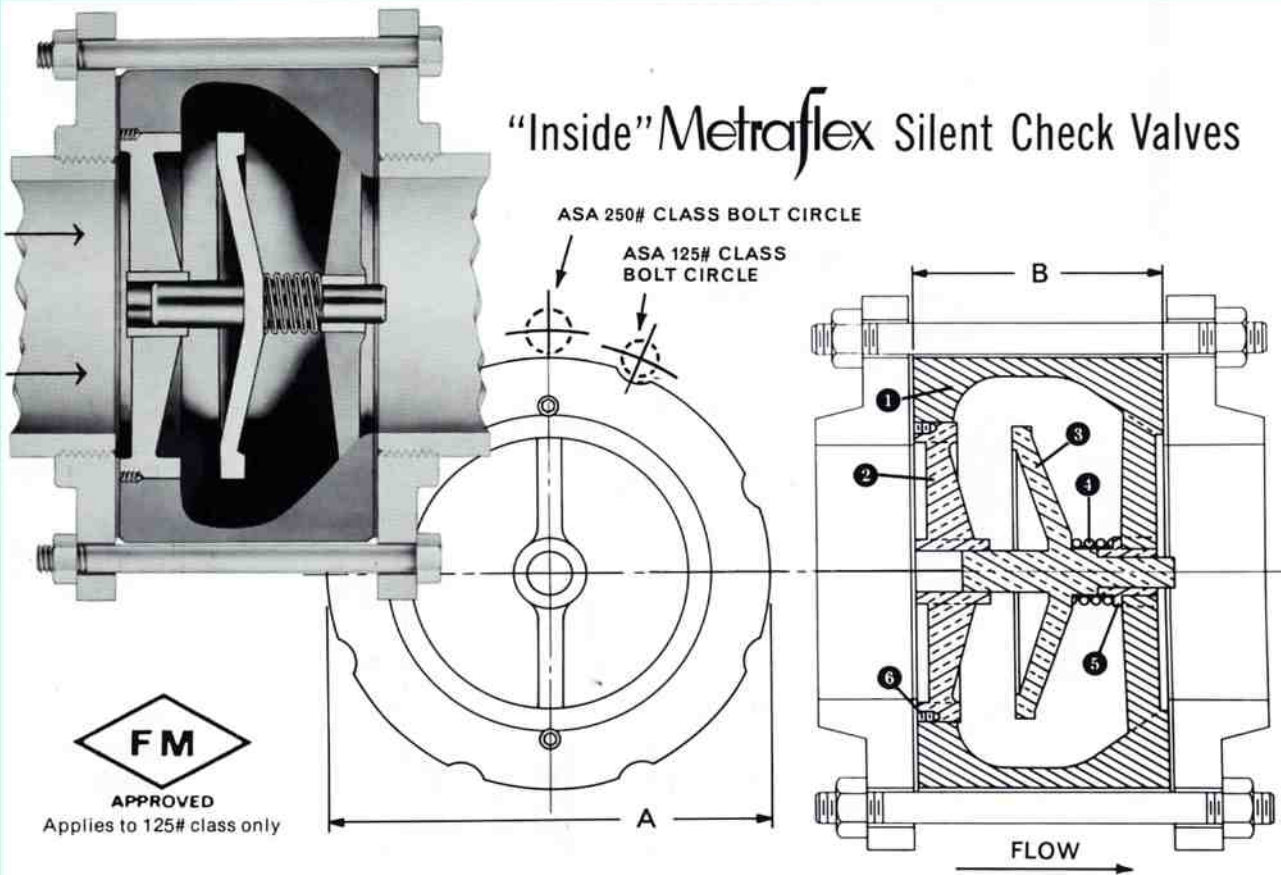


TABLE OF SIZES . . . MODEL NUMBERS . . . DIMENSIONS

| VALVE SIZE (Inches) | MODEL NUMBER | A (Inches) | B (Inches) | WEIGHT (Pounds) |
|---------------------|--------------|------------|------------|-----------------|
| 1 | S701 | 4 1/4 | 2 7/8 | 5 |
| 1 1/4 | S701 1/4 | | | |
| 1 1/2 | S701 1/2 | | | |
| 2 | 702 | 4 1/4 | 2 7/8 | 5 |
| 2 1/2 | 702 1/2 | 5 | 2 7/8 | 8 |
| 3 | 703 | 5 3/4 | 3 1/8 | 11 |
| 4 | 704 | 7 | 4 | 18 |
| 5 | 705 | 8 3/8 | 4 5/8 | 27 |
| 6 | 706 | 9 3/4 | 5 1/2 | 29 |
| 8* | 708 | 13 3/8 | 6 1/2 | 86 |
| 10* | 710 | 16 | 8 1/4 | 129 |

THESE THREE MODELS FURNISHED WITH FEMALE THREAD ENDS . . . REFER TO METRAFLEX BULLETIN No. 701

*8 inch-250 pound is model 758 / 10 inch-250 pound is model 760.

the Metraflex company

2323 W. Hubbard St., Chicago, Illinois 60612 / Phone: (AC 312) 738-3800

FLANGES, GASKETS & BOLTS NOT FURNISHED

| PART NO. | PART NAME & MATERIAL |
|----------|---------------------------------|
| 1 | Body . . . Semi-Steel |
| 2 | Seat . . . Bronze |
| 3 | Plug . . . Bronze |
| 4 | Spring . . . Stainless Steel |
| 5 | Bushing . . . Bronze |
| 6 | Set Screw . . . Stainless Steel |

Other Body and Trim Materials Available

GLOBE STYLE VALVES ALSO AVAILABLE



Job Specification Data

JOB _____

ENGINEER _____

SIZE _____ CLASS _____

CERTIFIED BY _____

DATE _____

distributed by: