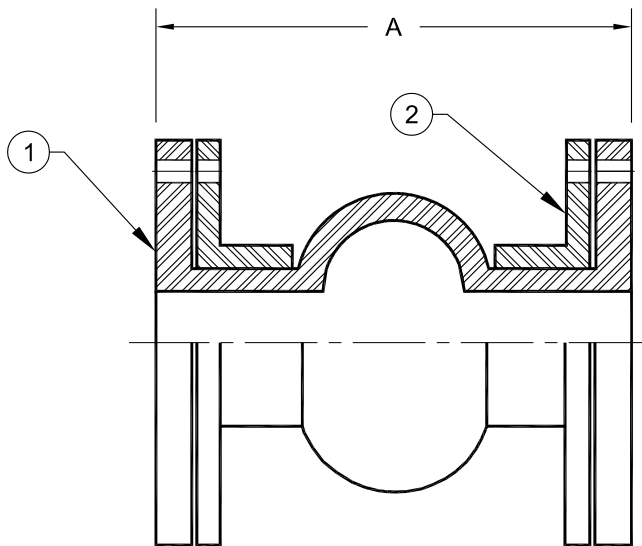


STYLE 711 WIDE ARCH EXPANSION JOINT



NOTE:

THIS FLEXIBLE JOINT SHOULD BE INSTALLED THE LENGTH SHOWN ON DRAWING.

PIPING AND EQUIPMENT CONNECTED BY THIS FLEXIBLE JOINT MUST BE ANCHORED AND GUIDED. IF NOT, CONTROL UNITS MUST BE USED TO PREVENT MOVEMENT PAST DESIGN LIMITS. NOT INTENDED FOR TORSION.

TO BE FURNISHED WITH CONTROL ROD ASSEMBLY

YES

NO

ITEM	NAME	MATERIAL
1	BODY	BUTYL & NYLON
2	RETAINING RING	DUCTILE IRON

MAXIMUM WORKING TEMPERATURE: 230°


MOVEMENT CAPABILITY AND FORCES

QTY.	SIZE I.D. (IN.)	A F/F (IN.)	PRESSURE P.S.I.G.	VACUUM (IN. HG.)	AXIAL				DEFLECTION			EFF. AREA (IN. SQ)	WEIGHT (LBS.)
					COMP. (IN.)	FORCE (LBS)	ELONG. (IN.)	FORCE (LBS.)	LATERAL (LBS.)	FORCE (LBS.)	ANGULAR (DEGREES)		
	2"	6	150	10	1-3/4	220	3/4	120	3/4	160	35	11	5.5
	2-1/2"	6	150	10	1-3/4	280	3/4	150	3/4	170	30	14	7.5
	3"	6	150	10	1-3/4	330	3/4	180	3/4	190	30	17	8.5
	4"	6	150	10	1-3/4	450	3/4	250	3/4	210	25	29	10.0
	5"	6	150	10	1-3/4	550	3/4	310	3/4	250	25	39	12.5
	6"	6	150	10	1-3/4	670	3/4	370	1	370	20	52	16.5
	8"	6	150	10	1-3/4	740	3/4	410	1	450	20	80	22.0
	10"	8	150	10	1-3/4	930	3/4	520	1	480	15	114	34.0
	12"	8	150	10	1-3/4	970	3/4	550	1	570	15	157	45.0
	14"	8	130	10	2	1190	7/8	670	1-1/8	750	12	205	55.0
	16"	8	110	10	2	1270	7/8	720	1-1/8	870	12	259	64.0
	18"	8	110	10	2	1430	7/8	810	1-1/8	960	9	317	71.0
	20"	8	110	10	2	1590	7/8	900	1-1/8	1070	9	379	82.0
	24"	10	100	10	2-1/4	2140	1	1240	1-1/8	1150	9	548	102.0
	30"	10	100	10	2-1/4	2700	1	1565	1-1/8	1451	6	848	140.0
	36"	10	90	10	2-1/4	3300	1	1912	1-1/8	1773	5	1194	190.0

CUSTOMER: _____

PROJECT: _____

ENGINEER: _____

REV.	DATE	
		
2323 W. HUBBARD ST. CHICAGO, IL 60612 TEL:312-738-3800 FAX:312-738-0415 WWW.METRAFLEX.COM		
DESCRIPTION: STYLE 711 WIDE ARCH 150# EXPANSION JOINT		
DRAWN BY:	AD	DATE: 02/21/2011
APPROVED:	MR	DATE: 02/21/2011
SCALE: NONE	DRAWING NUMBER: 711	