

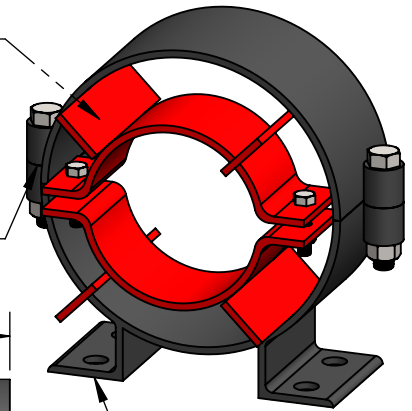
# MODEL PGIV - 2" INSULATION STYLE IV SPIDER TYPE GUIDE

## GUIDE HARDWARE

MATERIAL: CARBON STEEL  
 FINISH: ONE COAT OF PAINT  
 MODELS 23-28 HAVE 2 BOLTS  
 MODELS 29-36 HAVE 4 BOLTS  
 FOR COPPER TUBE CLAMPS USE MODEL PGIVC

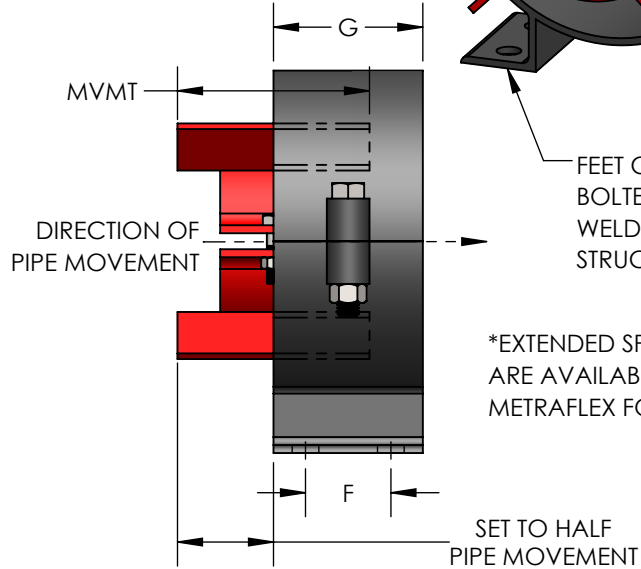
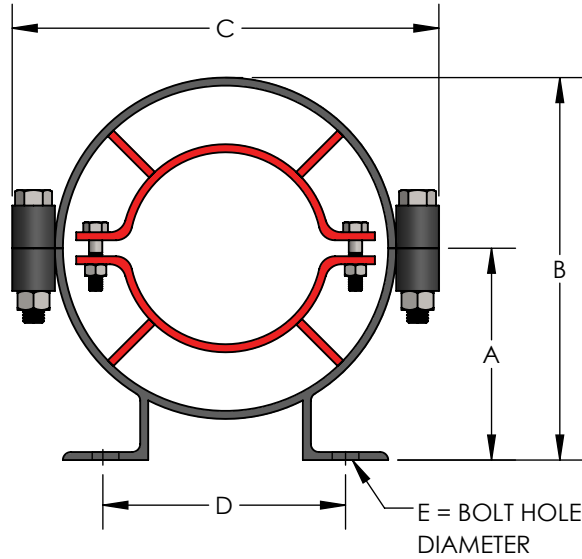
SPIDER SPACERS CENTER PIPE IN HOUSING AND ARE SIZED TO ALLOW INSULATION TO BE PACKED AROUND PIPE

SPLIT HOUSING FOR EASY INSTALLATION



FEET CAN BE BOLTED OR WELDED TO STRUCTURE

\*EXTENDED SPIDER GUIDES ARE AVAILABLE. CONTACT METRAFLEX FOR OPTIONS.



PROVIDES LATERAL STABILITY TO THE PIPE TO PREVENT "BOWING".  
 GUIDES ARE NOT DESIGNED TO SUPPORT THE WEIGHT OF THE PIPE.

QTY	SIZE	INS	MODEL	A	B	C	D	E	F	G	MVMT	WEIGHT
	1/2"	2"	PGIV240050	4"	6-3/4"	7-1/8"	4-3/8"	5/8"	1-3/4"	3"	4"	8 LBS
	3/4"	2"	PGIV250075	4-3/8"	7-5/8"	8-1/8"	5-1/8"	5/8"	1-3/4"	3"	4"	9 LBS
	1"	2"	PGIV250100	4-3/8"	7-5/8"	8-1/8"	5-1/8"	5/8"	1-3/4"	3"	4"	9 LBS
	1-1/4"	2"	PGIV250125	4-3/8"	7-5/8"	8-1/8"	5-1/8"	5/8"	1-3/4"	3"	4"	9 LBS
	1-1/2"	2"	PGIV250150	4-3/8"	7-5/8"	8-1/8"	5-1/8"	5/8"	1-3/4"	3"	4"	9 LBS
	2"	2"	PGIV260200	5-1/4"	9-1/4"	10-1/8"	6-1/8"	5/8"	1-3/4"	3"	4"	11 LBS
	2-1/2"	2"	PGIV260250	5-1/4"	9-1/4"	10-1/8"	6-1/8"	5/8"	1-3/4"	3"	4"	11 LBS
	3"	2"	PGIV260300	5-1/4"	9-1/4"	10-1/8"	6-1/8"	5/8"	1-3/4"	3"	4"	11 LBS
	4"	2"	PGIV270400	6-1/4"	11-5/8"	12-1/8"	7"	5/8"	2-3/4"	4"	6"	17 LBS
	5"	2"	PGIV270500	6-1/4"	11-5/8"	12-1/8"	7"	5/8"	2-3/4"	4"	6"	17 LBS
	6"	2"	PGIV280600	7"	13-3/8"	14-1/8"	8-1/4"	5/8"	2-3/4"	4"	6"	20 LBS
	8"	2"	PGIV290800	7-7/8"	15-1/8"	16-1/8"	9-7/8"	3/4"	4"	6"	8"	40 LBS
	10"	2"	PGIV301000	8-7/8"	17"	18-1/8"	10-7/8"	3/4"	4"	6"	8"	48 LBS
	12"	2"	PGIV311200	9-3/4"	18-3/4"	20-1/8"	11-7/8"	3/4"	4"	6"	8"	54 LBS
	14"	2"	PGIV321400	10-7/8"	21"	22-1/8"	11-3/4"	3/4"	4"	6"	8"	61 LBS
	16"	2"	PGIV331600	12-1/8"	23-1/8"	24-1/8"	14-1/2"	7/8"	6"	8"	8"	89 LBS
	18"	2"	PGIV341800	13"	25"	26-1/8"	15-1/2"	7/8"	6"	8"	8"	102 LBS
	20"	2"	PGIV352000	14-3/4"	27-3/4"	28-1/8"	17-1/8"	1-1/8"	6"	8"	12"	110 LBS
	24"	2"	PGIV362400	16-1/2"	31-1/2"	32-1/8"	19-1/4"	1-1/8"	6"	8"	12"	150 LBS


### NSF 372 - LEAD FREE

The wetted surface of this product contacted by consumable water contains less than one quarter of one percent (0.25%) of lead by weight. Material complies with state codes and standards, where applicable, requiring reduced lead content.

CUSTOMER: \_\_\_\_\_

PROJECT: \_\_\_\_\_

ENGINEER: \_\_\_\_\_

REV.	DATE
	
2323 W. HUBBARD ST. CHICAGO, IL 60612 TEL: 312-738-3800 FAX: 312-738-0415 WWW.METRAFLEX.COM	
<h2>MODEL PGIV</h2> <p>STYLE IV SPIDER TYPE GUIDE FOR 2" INSULATION</p>	
DRAWN BY: <b>DKISH</b>	DATE: <b>4/3/2018</b>
APPROVED: <b>JC</b>	DATE: <b>4/3/2018</b>
SCALE: <b>N/A</b>	DRAWING NUMBER: <b>PGIV-INS2-1</b>