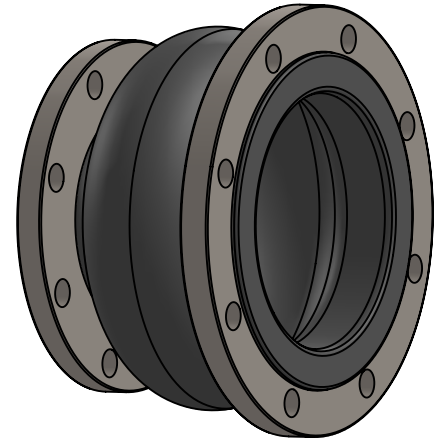
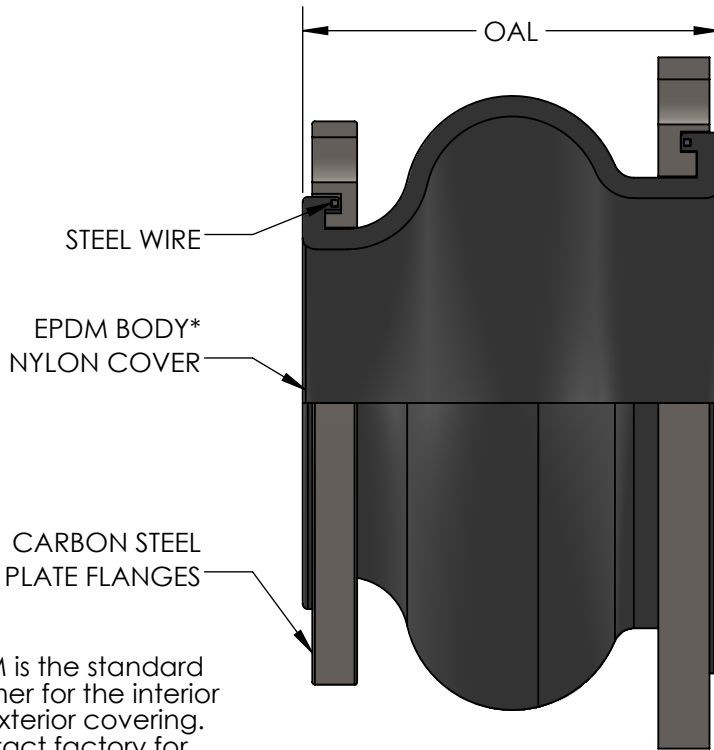


**MODEL MSC  
CONCENTRIC REDUCING  
SPHERICAL EXPANSION JOINT**



**MAXIMUM OPERATING  
CONDITIONS**

TEMP	PSI
170°F	225
180°F	200
190°F	175
200°F	150
210°F	125
220°F	100
230°F	75

MAXIMUM WORKING  
TEMPERATURE 230°F  
MAXIMUM WORKING  
PRESSURE 225 PSI

\*EPDM is the standard elastomer for the interior and exterior covering. Contact factory for other elastomers. Not for steam applications.

TO BE FURNISHED WITH CONTROL UNITS: YES  NO

The flexible joint should be installed to the length shown on the drawing. Piping and equipment connected by this flexible joint must be anchored and guided. If not, control units must be used to prevent movement past design limits. Not intended for torsion.

QTY	PART NUMBER	PIPE SIZE		OAL	COMP.	APPROX FORCE (lbs)	ELONG.	APPROX FORCE (lbs)	LATERAL	APPROX FORCE (lbs)	ANGULAR	WEIGHT (lbs)
		A	B									
	MSCEE3X2X8	3"	2"	8"	1/2"	136	3/8"	115	1/2"	108	15°	15
	MSCEE3X2.5X8	3"	2-1/2"	8"	1/2"	136	3/8"	115	1/2"	108	15°	16
	MSCEE4X2X8	4"	2"	8"	5/8"	145	3/8"	242	1/2"	275	15°	18
	MSCEE4X3X8	4"	3"	8"	5/8"	145	3/8"	242	1/2"	275	15°	19
	MSCEE6X4X8	6"	4"	8"	5/8"	293	3/8"	563	1/2"	484	15°	28
	MSCEE8X4X8	8"	4"	8"	5/8"	372	1/2"	587	1/2"	688	15°	40
	MSCEE8X6X8	8"	6"	8"	5/8"	372	1/2"	587	1/2"	688	15°	46
	MSCEE10X8X8	10"	8"	8"	3/4"	398	1/2"	455	3/4"	781	15°	69


**NSF 372 - LEAD FREE**

The wetted surface of this product contacted by consumable water contains less than one quarter of one percent (0.25%) of lead by weight. Material complies with state codes and standards, where applicable, requiring reduced lead content.

CUSTOMER: \_\_\_\_\_

PROJECT: \_\_\_\_\_

ENGINEER: \_\_\_\_\_

REV.	DATE
	
2323 W. HUBBARD ST. CHICAGO, IL 60612 TEL: 312-738-3800 FAX: 312-738-0415 WWW.METRAFLEX.COM	
<b>STYLE MSC</b> REDUCING SPHERICAL EXPANSION JOINT	
DRAWN BY: <b>DKISH</b>	DATE: <b>9/4/2015</b>
APPROVED: <b>ZB</b>	DATE: <b>9/8/2015</b>
SCALE: <b>N/A</b>	DRAWING NUMBER: <b>MSC</b>