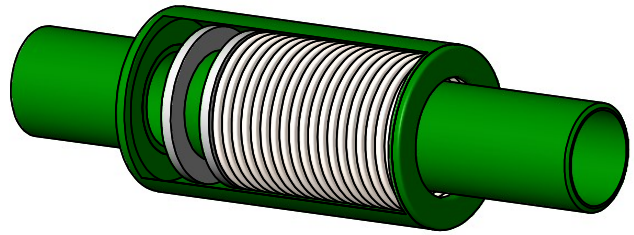


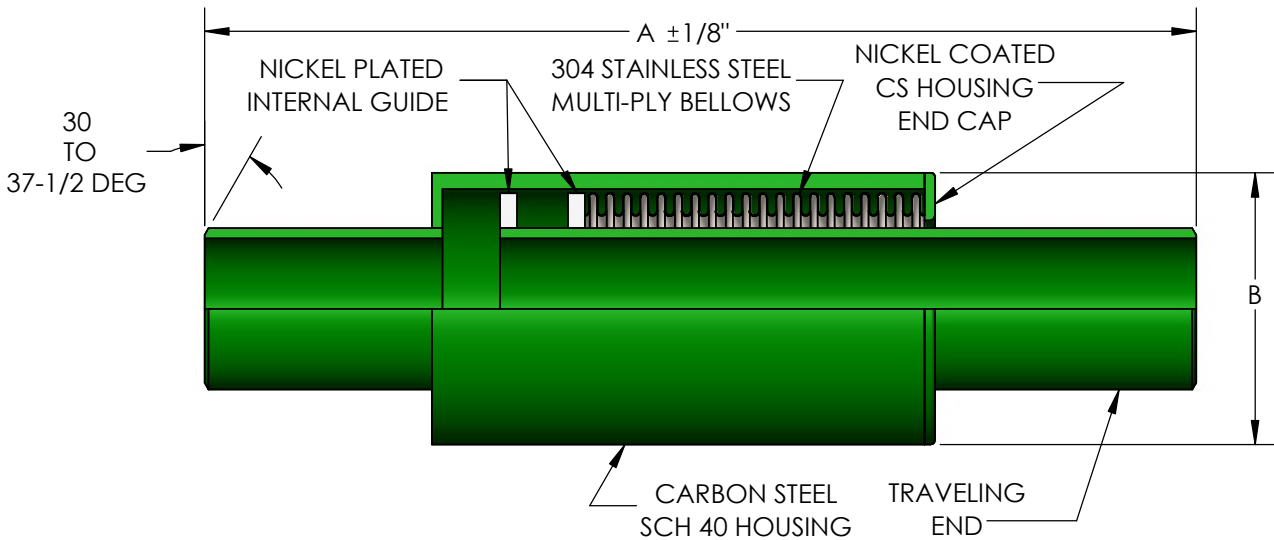
Model HPQW3
High Pressure Externally Pressurized
Expansion Compensator
For Riser Application

HOUSING CUT AWAY TO SHOW BELLOWS



DESIGN DATA

CONFORMS TO MIL-DTL-17813H
 MAXIMUM WORKING TEMPERATURE : 500° F (260°C)*
 MAXIMUM WORKING PRESSURE : 175 PSI (1206 kPa (g))*
 MAXIMUM TEST PRESSURE : 250 PSI (1809 kPa) @ 70° F
 AXIAL COMPRESSION : 3" (80mm)
 AXIAL EXTENSION : 1/2" (13mm)



This expansion joint is designed for use in riser applications and axial movement only. Consult Metraflex for guiding and anchoring of pipe in riser application. For horizontal runs, the guiding and anchoring recommendations of the Expansion Joint Manufacturers Association is to be followed.

QTY	PART NUMBER	PIPE SIZE		A	B	EFFECTIVE AREA (in ²)	SPRING RATE (lb/in)	WEIGHT	NOTES
		INCH	MM						
	HPQW30075	3/4"	20	22"	2-3/8"	1.5	58	9	
	HPQW30100	1"	25	22"	2-1/2"	2.1	63	12	
	HPQW30125	1-1/4"	32	22"	3"	3.3	52	13	
	HPQW30150	1-1/2"	38	23"	3-1/2"	4.3	82	15	
	HPQW30200	2"	50	23"	4"	6.3	117	20	
	HPQW30250	2-1/2"	65	24-1/2"	5"	8.8	132	31	
	HPQW30300	3"	80	25-3/8"	5-1/2"	13.1	161	36	
	HPQW30400	4"	100	25-3/8"	6-5/8"	20.8	341	49	

MATERIAL

BELLOWS MULTI-PLY SS T304
 OTHER PARTS CARBON STEEL

CUSTOMER: _____

PROJECT: _____

ENGINEER: _____

Metraflex
for pipes in motion

2323 W. HUBBARD ST.
 CHICAGO, IL 60612
 TEL: 312-738-3800
 FAX: 312-738-0415
 WWW.METRAFLEX.COM

MODEL HPQW3
 HIGH PRESSURE EXPANSION COMPENSATOR

DRAWN BY: BK	DATE: 9/09/21
APPROVED:	DATE: 9/09/21
SCALE: N/A	DRAWING NUMBER: HPQW3