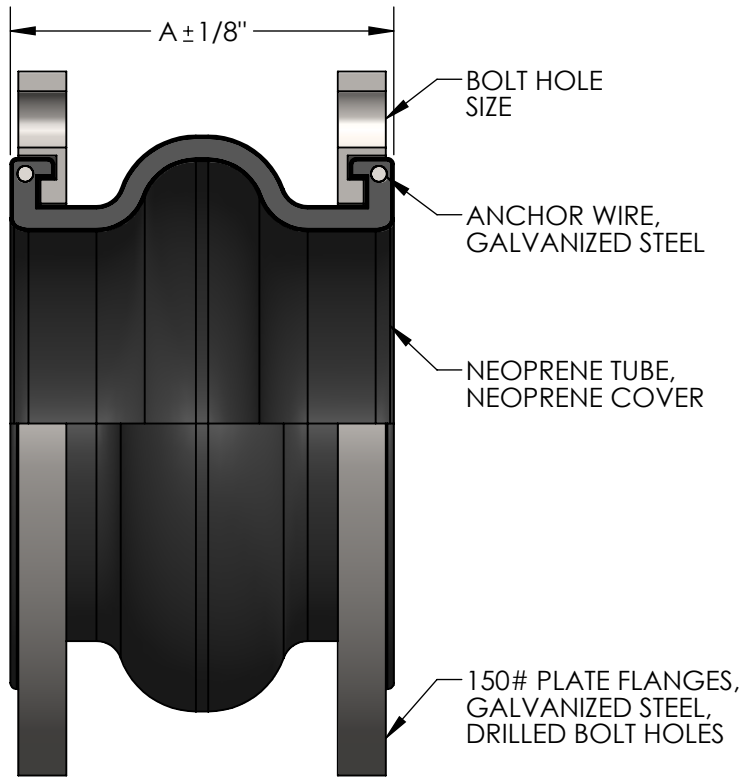


**MODEL MSRDNN, STYLE "R" METRASPHERE
NEOPRENE EXPANSION JOINT, DRILLED BOLT HOLES**



MAXIMUM OPERATING CONDITIONS

TEMPERATURE	PRESSURE (PSI)	
	1" - 12"	14" AND UP
170°	225	125
180°	200	115
190°	175	105
200°	150	95
210°	125	40
220°	100	35
230°	75	25

MAXIMUM WORKING TEMPERATURE 230°F

NOTES:

WWW.METRAFLEX.COM FOR INSTALLATION INSTRUCTIONS.
JOINT MUST BE INSTALLED AT ITS NEUTRAL LENGTH.
BOLTS MUST BE PROPERLY TORQUED.
NOT SUITABLE FOR STEAM OR VACUUM APPLICATIONS.
IF CONNECTING PIPE IS NOT ANCHORED AND GUIDED,
CONTROL UNITS MUST BE USED.

TO BE FURNISHED WITH CONTROL UNITS:

YES NO

QTY	PART NUMBER	PIPE SIZE		A	AXIAL COMP.	FORCE (LBS)	AXIAL EXT.	FORCE (LBS)	LATERAL OFFSET	FORCE (LBS)	ANGULAR	WEIGHT (LBS)	BOLT HOLE SIZE
		INCH	MM										
	MSRDNN0100	1"	25	6"	1/2"	N/A	3/8"	N/A	1/2"	N/A	15°	5	1/2"
	MSRDNN0125	1-1/4"	32	6"	1/2"	N/A	3/8"	N/A	1/2"	N/A	15°	6	1/2"
	MSRDNN0150	1-1/2"	38	6"	1/2"	N/A	3/8"	N/A	1/2"	N/A	15°	7	1/2"
	MSRDNN0200	2"	50	6"	1/2"	55	3/8"	73	1/2"	55	15°	8	5/8"
	MSRDNN0250	2-1/2"	65	6"	1/2"	102	3/8"	68	1/2"	97	15°	13	5/8"
	MSRDNN0300	3"	80	6"	1/2"	136	3/8"	115	1/2"	108	15°	14	5/8"
	MSRDNN0400	4"	100	6"	5/8"	145	3/8"	242	1/2"	275	15°	18	5/8"
	MSRDNN0500	5"	125	6"	5/8"	172	3/8"	196	1/2"	308	15°	23	3/4"
	MSRDNN0600	6"	150	6"	5/8"	293	3/8"	563	1/2"	484	15°	28	3/4"
	MSRDNN0800	8"	200	6"	5/8"	372	1/2"	587	1/2"	688	15°	40	3/4"
	MSRDNN1000	10"	250	8"	3/4"	398	1/2"	455	3/4"	781	15°	68	7/8"
	MSRDNN1200	12"	300	8"	3/4"	390	1/2"	356	3/4"	842	15°	94	7/8"
	MSRDNN1400	14"	350	8"	3/4"	N/A	1/2"	N/A	3/4"	N/A	15°	105	1"
	MSRDNN1600	16"	400	8"	3/4"	N/A	1/2"	N/A	3/4"	N/A	15°	120	1"
	MSRDNN1800	18"	450	8"	3/4"	N/A	1/2"	N/A	3/4"	N/A	15°	125	1-1/8"
	MSRDNN2000	20"	500	8"	3/4"	N/A	1/2"	N/A	3/4"	N/A	15°	145	1-1/8"
	MSRDNN2400	24"	600	10"	3/4"	N/A	1/2"	N/A	3/4"	N/A	15°	265	1-1/4"

NSF 372 - LEAD FREE

The wetted surface of this product contacted by consumable water contains less than one quarter of one percent (0.25%) of lead by weight. Material complies with state codes and standards, where applicable, requiring reduced lead content.

CUSTOMER: _____

PROJECT: _____

ENGINEER: _____

REV. 1	EDIT "BOLT HOLE SIZE" COLUMN	DATE: 09/17/2019
		2323 W. HUBBARD ST. CHICAGO, IL 60612 TEL: 312-738-3800 FAX: 312-738-0415 WWW.METRAFLEX.COM
METRASPHERE MODEL MSRDNN NEOPRENE EXPANSION JOINT, DRILLED BOLT HOLES		
DRAWN BY: DKISH		DATE: 1/19/2017
APPROVED: JC		DATE: 1/23/2017
SCALE: N/A	DRAWING NUMBER: MSRDNN-1	