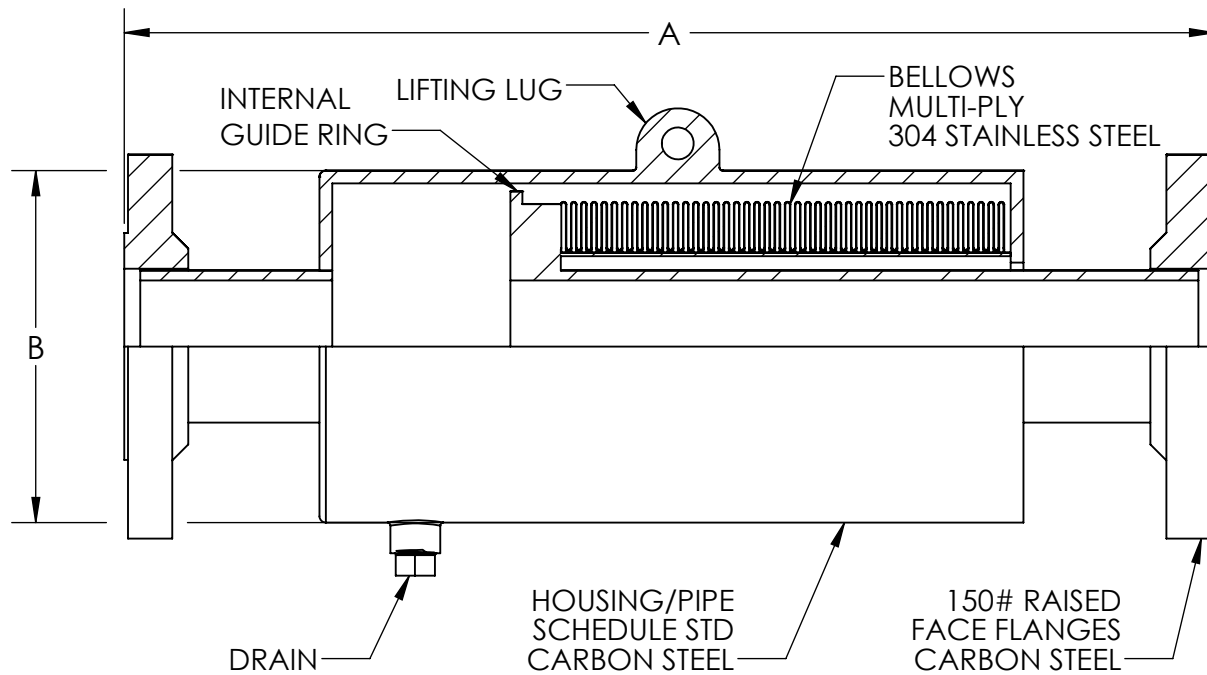


**METRAFLEX METRAGATOR**  
**150 PSI, 4" AXIAL COMPRESSION, FLANGED**  
**EXTERNALLY PRESSURIZED EXPANSION JOINT**



THE EXPANSION JOINT IS DESIGNED FOR AXIAL MOVEMENT ONLY. PIPE MUST BE PROPERLY GUIDED AND ANCHORED PER THE RECOMMENDATIONS OF THE EXPANSION JOINT MANUFACTURERS ASSOCIATION.

QTY	PART NUMBER	PIPE SIZE		A (in)	B (in)	EFF. AREA (in <sup>2</sup> )	SPRING RATE (lb/in)	NOTES
		NPS	MM					
	GAT04SF0200	2	50	25	5.5	13.2	183.0	
	GAT04SF0250	2.5	65	25	5.5	13.2	183.0	
	GAT04SF0300	3	80	24	6.5	20.8	343.0	
	GAT04SF0400	4	100	25	8.5	36.0	200.0	
	GAT04SF0500	5	130	25	10.75	46.4	235.0	
	GAT04SF0600	6	150	25.5	12.75	58.9	269.0	
	GAT04SF0800	8	200	28.25	14	88.8	332.0	
	GAT04SF1000	10	250	27	16	124.6	400.0	
	GAT04SF1200	12	300	27	18	166.6	463.0	

**DESIGN DATA**

TEMPERATURE: 500°F (370°C)  
 PRESSURE: 150 PSI (1034 KPa)  
 TEST PRESSURE: 225 PSI (1551 KPa)  
 AXIAL MOVEMENT: 4" COMPRESSION (100 mm)

NOTE: ANCHOR LOAD =  
 (MAX PSI X EFFECTIVE AREA) +  
 (SPRING RATE X MOVEMENT)

**MILITARY SPECS:**

CONFORMS TO MIL-E-17813H AND ASTM-F-2934

2	TEMPERATURE ADJUST	4/29/2021
REV. 1	RAISED FACE FLANGES	DATE 6/24/2020

**Metraflex**  
*for pipes in motion*  
 2323 W. HUBBARD ST.  
 CHICAGO, IL 60612  
 TEL: 312-738-3800  
 FAX: 312-738-0415  
 WWW.METRAFLEX.COM

**METRAFLEX METRAGATOR, 150 PSI,  
 4" AXIAL COMPRESSION, FLANGED**

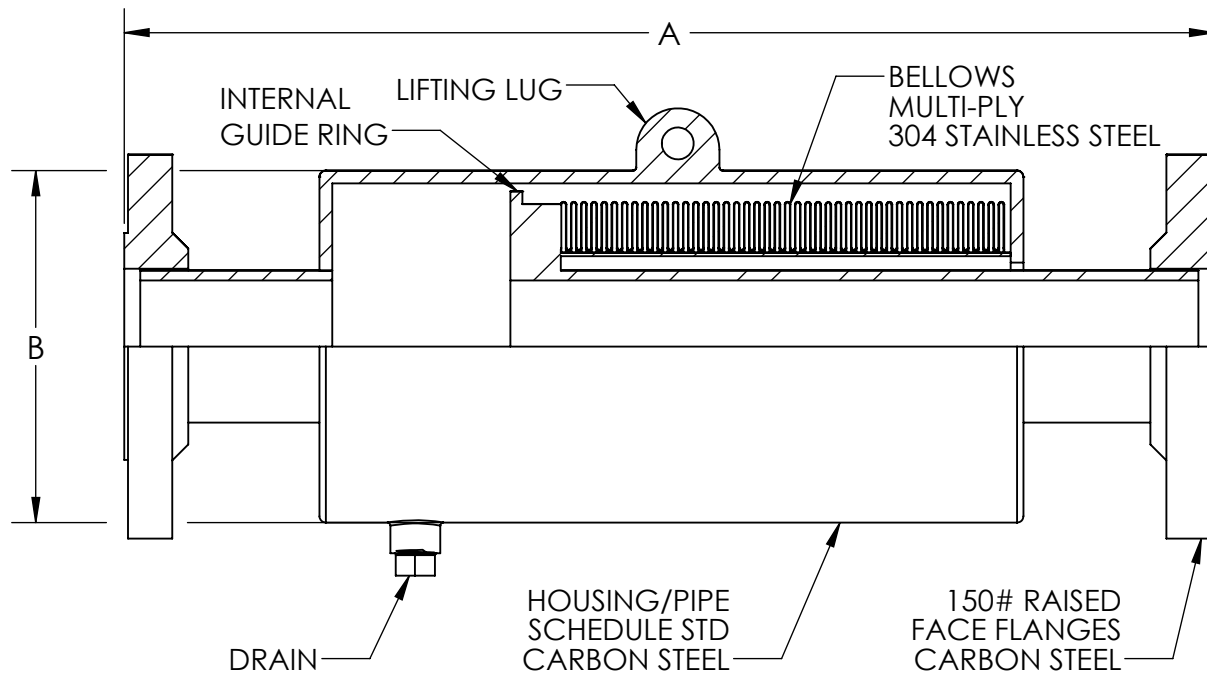
DRAWN BY: DKISH	DATE: 6/1/2015
APPROVED: ZB	DATE: 6/2/2015
SCALE: N/A	DRAWING NUMBER: GAT04SF-2

CUSTOMER: \_\_\_\_\_

PROJECT: \_\_\_\_\_

ENGINEER: \_\_\_\_\_

**METRAFLEX METRAGATOR**  
**150 PSI, 6" AXIAL COMPRESSION, FLANGED**  
**EXTERNALLY PRESSURIZED EXPANSION JOINT**



THE EXPANSION JOINT IS DESIGNED FOR AXIAL MOVEMENT ONLY. PIPE MUST BE PROPERLY GUIDED AND ANCHORED PER THE RECOMMENDATIONS OF THE EXPANSION JOINT MANUFACTURERS ASSOCIATION.

QTY	PART NUMBER	PIPE SIZE		A (in)	B (in)	EFF. AREA (in <sup>2</sup> )	SPRING RATE (lb/in)	NOTES
		NPS	MM					
	GAT06SF0200	2	50	31.5	5.5	13.2	115.0	
	GAT06SF0250	2.5	65	32	5.5	13.2	115.0	
	GAT06SF0300	3	80	30	6.5	20.8	235.0	
	GAT06SF0400	4	100	31.25	8.5	36.0	143.0	
	GAT06SF0500	5	130	31.5	10.75	46.4	166.0	
	GAT06SF0600	6	150	32.25	12.75	58.9	189.0	
	GAT06SF0800	8	200	34.75	14	88.8	235.0	
	GAT06SF1000	10	250	34	16	124.6	280.0	
	GAT06SF1200	12	300	33.25	18	166.6	326.0	

DESIGN DATA  
 MAXIMUM OPERATING TEMPERATURE: 500°F (260°C)  
 PRESSURE: 150 PSI (1034 KPa)  
 TEST PRESSURE: 225 PSI (1551 KPa)  
 AXIAL MOVEMENT: 6" COMPRESSION (150 mm)

NOTE: ANCHOR LOAD =  
 (MAX PSI X EFFECTIVE AREA) +  
 (SPRING RATE X MOVEMENT)

MILITARY SPECS:  
 CONFORMS TO MIL-E-17813H AND ASTM-F-2934

2	TEMPERATURE ADJUST	4/29/2021
REV. 1	RAISED FACE FLANGES	DATE 6/24/2020

**Metraflex**  
*for pipes in motion*  
 2323 W. HUBBARD ST.  
 CHICAGO, IL 60612  
 TEL: 312-738-3800  
 FAX: 312-738-0415  
 WWW.METRAFLEX.COM

**METRAFLEX METRAGATOR, 150 PSI,  
 6" AXIAL COMPRESSION, FLANGED**

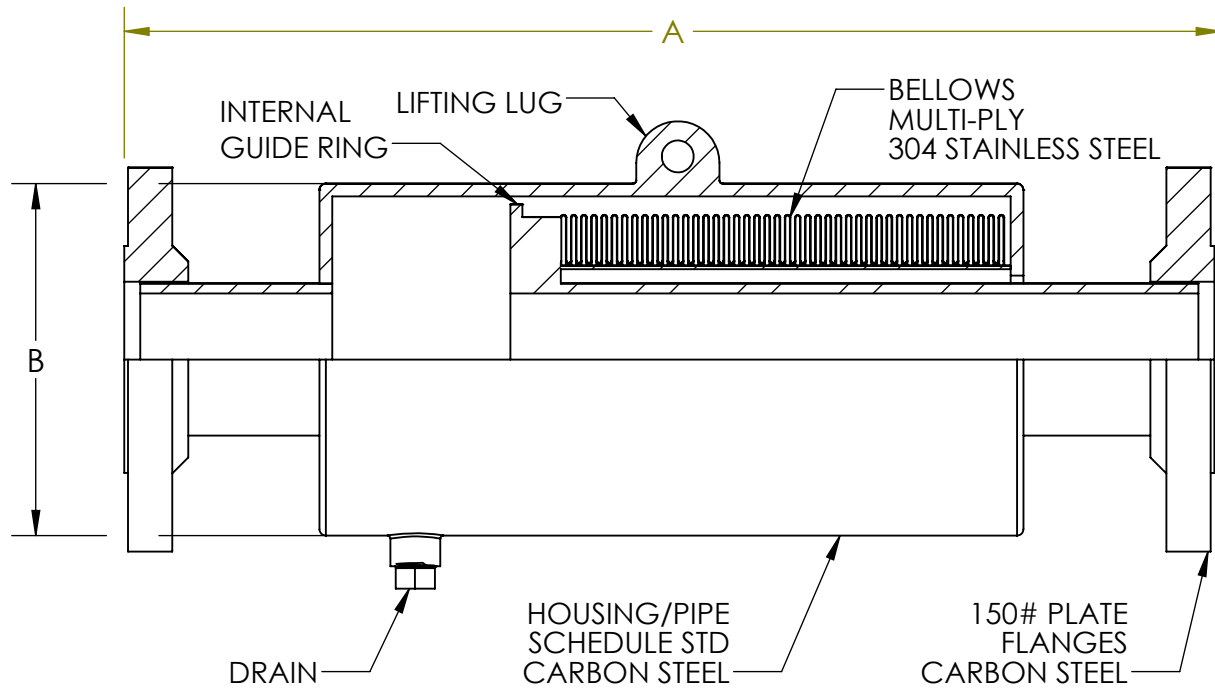
DRAWN BY: DKISH	DATE: 6/1/2015
APPROVED: ZB	DATE: 6/2/2015
SCALE: N/A	DRAWING NUMBER: GAT06SF-2

CUSTOMER: \_\_\_\_\_

PROJECT: \_\_\_\_\_

ENGINEER: \_\_\_\_\_

**METRAFLEX METRAGATOR**  
**150 PSI, 8" AXIAL COMPRESSION, FLANGED**  
**EXTERNALLY PRESSURIZED EXPANSION JOINT**



THE EXPANSION JOINT IS DESIGNED FOR AXIAL MOVEMENT ONLY. PIPE MUST BE PROPERLY GUIDED AND ANCHORED PER THE RECOMMENDATIONS OF THE EXPANSION JOINT MANUFACTURERS ASSOCIATION.

QTY	PART NUMBER	PIPE SIZE		A (in)	B (in)	EFF. AREA (in <sup>2</sup> )	SPRING RATE (lb/in)	NOTES
		NPS	MM					
	GAT08SF0200	2	50	38.5	5.5	13.2	92.0	
	GAT08SF0250	2.5	65	38.5	5.5	13.2	92.0	
	GAT08SF0300	3	80	38.5	6.5	20.8	172.0	
	GAT08SF0400	4	100	37.75	8.5	36.0	103.0	
	GAT08SF0500	5	130	38.25	10.75	46.4	120.0	
	GAT08SF0600	6	150	38.5	12.75	58.9	138.0	
	GAT08SF0800	8	200	42	14	88.8	166.0	
	GAT08SF1000	10	250	40.25	16	124.6	200.0	
	GAT08SF1200	12	300	39.75	18	166.6	235.0	

**DESIGN DATA**

TEMPERATURE: 500°F (370°C)  
 PRESSURE: 150 PSI (1034 KPa)  
 TEST PRESSURE: 225 PSI (1551 KPa)  
 AXIAL MOVEMENT: 8" COMPRESSION (200 mm)

NOTE: ANCHOR LOAD =  
 (MAX PSI X EFFECTIVE AREA) +  
 (SPRING RATE X MOVEMENT)

**MILITARY SPECS:**

CONFORMS TO MIL-E-17813H AND ASTM-F-2934

2	TEMPERATURE ADJUST	4/29/2021
REV. 1	RAISED FACE FLANGES	DATE 6/24/2020

**Metraflex**  
*for pipes in motion*  
 2323 W. HUBBARD ST.  
 CHICAGO, IL 60612  
 TEL: 312-738-3800  
 FAX: 312-738-0415  
 WWW.METRAFLEX.COM

**METRAFLEX METRAGATOR, 150 PSI,  
 8" AXIAL COMPRESSION, FLANGED**

DRAWN BY: DKISH	DATE: 6/1/2015
APPROVED: ZB	DATE: 6/2/2015
SCALE: N/A	DRAWING NUMBER: GAT08SF-2

CUSTOMER: \_\_\_\_\_

PROJECT: \_\_\_\_\_

ENGINEER: \_\_\_\_\_