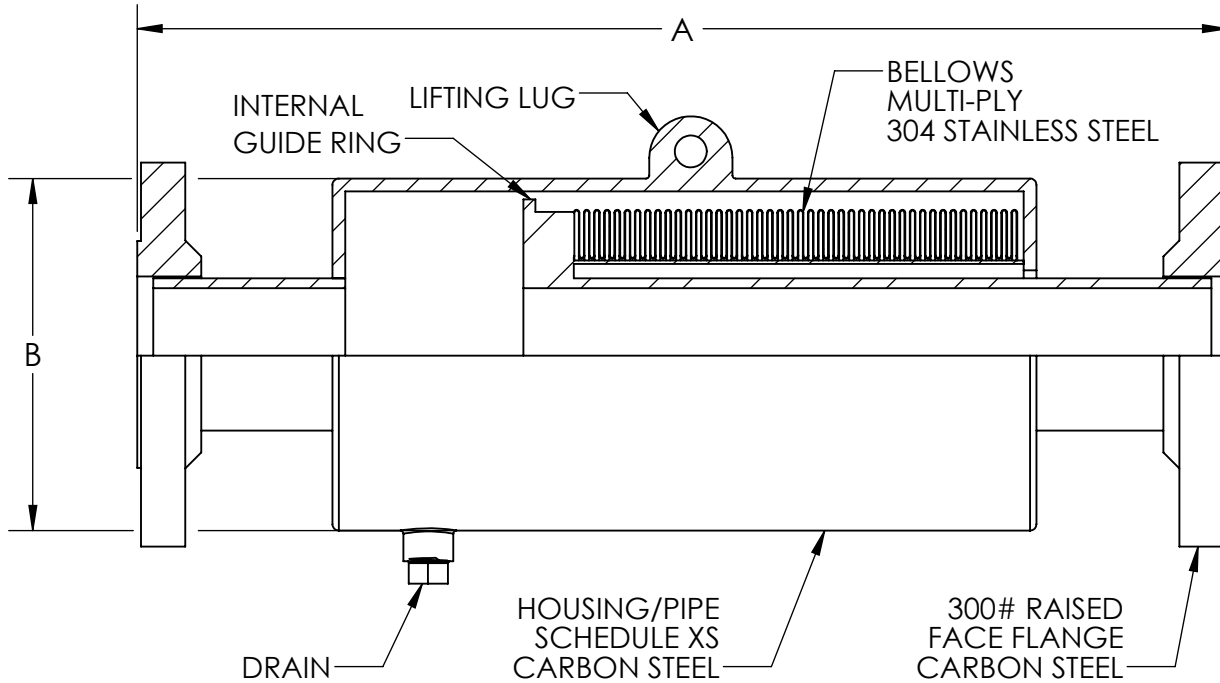


METRAFLEX METRAGATOR
300 PSI, 4" AXIAL COMPRESSION, FLANGED
EXTERNALLY PRESSURIZED EXPANSION JOINT



THE EXPANSION JOINT IS DESIGNED FOR AXIAL MOVEMENT ONLY. PIPE MUST BE PROPERLY GUIDED AND ANCHORED PER THE RECOMMENDATIONS OF THE EXPANSION JOINT MANUFACTURERS ASSOCIATION.

QTY	PART NUMBER	PIPE SIZE		A (in)	B (in)	EFF. AREA (in ²)	SPRING RATE (lb/in)	NOTES
		NPS	MM					
	GAT3004SF0200	2	50	29	6.625	14.3	639.1	
	GAT3004SF0250	2.5	65	29	6.625	14.3	639.1	
	GAT3004SF0300	3	80	28	8.625	22.9	823.5	
	GAT3004SF0400	4	100	28.75	10.75	36.4	1223.2	
	GAT3004SF0500	5	130	28.25	10.75	46.7	1615.1	
	GAT3004SF0600	6	150	28.25	12.75	59.4	1803.0	
	GAT3004SF0800	8	200	29.5	14	93.0	2591.7	
	GAT3004SF1000	10	250	30.25	16	129.7	2833.8	
	GAT3004SF1200	12	300	31.75	18	172.5	2853.6	

DESIGN DATA

TEMPERATURE: 500°F (260°C)
 PRESSURE: 300 PSI (2068 KPa)
 TEST PRESSURE: 450 PSI (3102 KPa)
 AXIAL MOVEMENT: 4" COMPRESSION (100 mm)

MILITARY SPECS:
 CONFORMS TO MIL-E-17813H AND ASTM-F-2934

NOTE: ANCHOR LOAD =
 (MAX PSI X EFFECTIVE AREA) +
 (SPRING RATE X MOVEMENT)

ADDITIONAL NOTE:
 DRAIN NPT SIZE (SIZES 2" - 6") : 1/2"
 DRAIN NPT SIZE (SIZES 8" - 12") : 3/4"

CUSTOMER: _____

PROJECT: _____

ENGINEER: _____

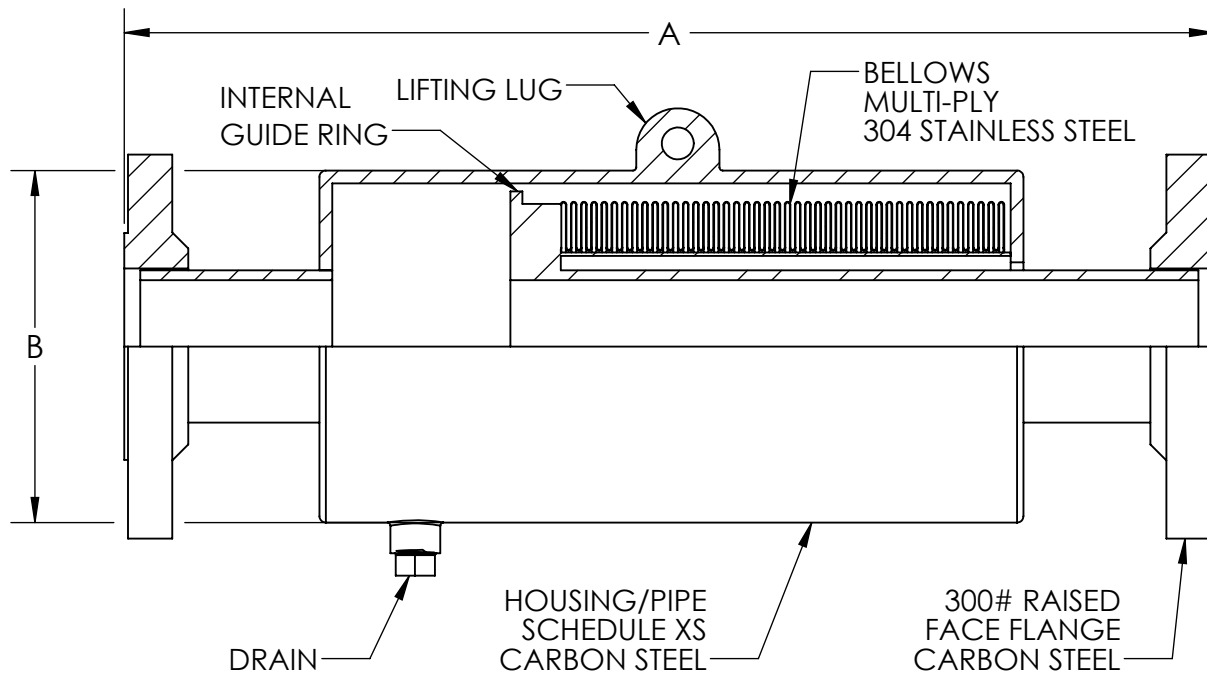
2	ADDED DRAIN SIZE	03/18/2024
REV. 1	TEMPERATURE ADJUST	DATE 4/29/2021

Metraflex
for pipes in motion
 2323 W. HUBBARD ST.
 CHICAGO, IL 60612
 TEL: 312-738-3800
 FAX: 312-738-0415
 WWW.METRAFLEX.COM

**METRAFLEX METRAGATOR, 300 PSI,
 4" AXIAL COMPRESSION, FLANGED**

DRAWN BY: DKISH	DATE: 6/1/2015
APPROVED: ZB	DATE: 6/2/2015
SCALE: N/A	DRAWING NUMBER: GAT3004SF-1

METRAFLEX METRAGATOR
300 PSI, 8" AXIAL COMPRESSION, FLANGED
EXTERNALLY PRESSURIZED EXPANSION JOINT



THE EXPANSION JOINT IS DESIGNED FOR AXIAL MOVEMENT ONLY. PIPE MUST BE PROPERLY GUIDED AND ANCHORED PER THE RECOMMENDATIONS OF THE EXPANSION JOINT MANUFACTURERS ASSOCIATION.

QTY	PART NUMBER	PIPE SIZE		A (in)	B (in)	EFF. AREA (in ²)	SPRING RATE (lb/in)	NOTES
		NPS	MM					
	GAT3008SF0200	2	50	45.5	6.625	14.3	339.5	
	GAT3008SF0250	2.5	65	45.75	6.625	14.3	339.5	
	GAT3008SF0300	3	80	43.75	8.625	22.9	441.2	
	GAT3008SF0400	4	100	44.25	10.75	36.4	662.6	
	GAT3008SF0500	5	130	41.25	10.75	46.7	987.0	
	GAT3008SF0600	6	150	41.25	12.75	59.4	1101.9	
	GAT3008SF0800	8	200	43	14	93.0	1583.8	
	GAT3008SF1000	10	250	47.75	16	129.7	1416.9	
	GAT3008SF1200	12	300	49.25	18	172.5	1539.6	

DESIGN DATA

TEMPERATURE: 500°F (260°C)
 PRESSURE: 300 PSI (2068 KPa)
 TEST PRESSURE: 450 PSI (3102 KPa)
 AXIAL MOVEMENT: 8" COMPRESSION (200 mm)

MILITARY SPECS:
 CONFORMS TO MIL-E-17813H AND ASTM-F-2934

NOTE: ANCHOR LOAD =
 (MAX PSI X EFFECTIVE AREA) +
 (SPRING RATE X MOVEMENT)

ADDITIONAL NOTE:
 DRAIN NPT SIZE (SIZES 2" - 6") : 1/2"
 DRAIN NPT SIZE (SIZES 8" - 12") : 3/4"

2	ADDED DRAIN SIZE	03/18/2024
REV. 1	TEMPERATURE ADJUST	DATE 4/29/2021

Metraflex
for pipes in motion

2323 W. HUBBARD ST.
 CHICAGO, IL 60612
 TEL: 312-738-3800
 FAX: 312-738-0415
 WWW.METRAFLEX.COM

**METRAFLEX METRAGATOR, 300 PSI,
 8" AXIAL COMPRESSION, FLANGED**

DRAWN BY: DKISH	DATE: 6/1/2015
APPROVED: ZB	DATE: 6/2/2015
SCALE: N/A	DRAWING NUMBER: GAT3008SF-1

CUSTOMER: _____

PROJECT: _____

ENGINEER: _____