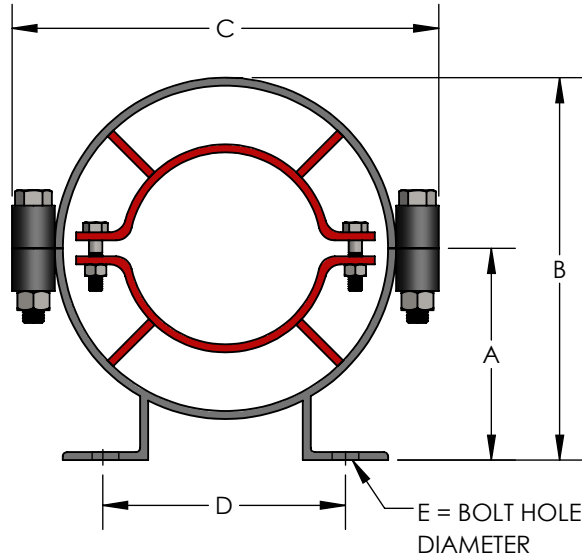


MODEL PGIV - 3" MAX INSULATION STYLE IV SPIDER TYPE GUIDE

GUIDE HARDWARE

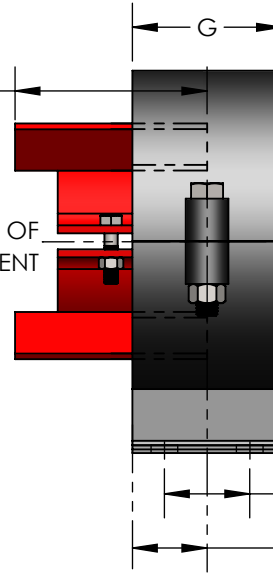
MATERIAL: CARBON STEEL
 FINISH: ONE COAT OF PAINT
 MODELS 23-28 HAVE 2 BOLTS
 MODELS 29-36 HAVE 4 BOLTS
 FOR COPPER TUBE CLAMPS USE MODEL PGIVC



SPIDER SPACERS CENTER PIPE IN HOUSING AND ARE SIZED TO ALLOW INSULATION TO BE PACKED AROUND PIPE

SPLIT HOUSING FOR EASY INSTALLATION

MVMT
 DIRECTION OF PIPE MOVEMENT



FEET CAN BE BOLTED OR WELDED TO STRUCTURE

*EXTENDED SPIDER GUIDES ARE AVAILABLE. CONTACT METRAFLEX FOR OPTIONS.

LEADING EDGE OF SPIDER SET HALFWAY INTO HOUSING

PROVIDES LATERAL STABILITY TO THE PIPE TO PREVENT "BOWING".
 GUIDES ARE NOT DESIGNED TO SUPPORT THE WEIGHT OF THE PIPE.

QTY	SIZE	INS	MODEL	A	B	C	D	E	F	G	MVMT	WEIGHT
	1/2"	3"	PGIV260050	5-1/4"	9-1/4"	10-1/8"	6-1/8"	5/8"	1-3/4"	3"	4"	11 LBS
	3/4"	3"	PGIV260075	5-1/4"	9-1/4"	10-1/8"	6-1/8"	5/8"	1-3/4"	3"	4"	11 LBS
	1"	3"	PGIV260100	5-1/4"	9-1/4"	10-1/8"	6-1/8"	5/8"	1-3/4"	3"	4"	11 LBS
	1-1/4"	3"	PGIV260125	5-1/4"	9-1/4"	10-1/8"	6-1/8"	5/8"	1-3/4"	3"	4"	11 LBS
	1-1/2"	3"	PGIV260150	5-1/4"	9-1/4"	10-1/8"	6-1/8"	5/8"	1-3/4"	3"	4"	11 LBS
	2"	3"	PGIV270200	6-1/4"	11-5/8"	12-1/8"	7"	5/8"	2-3/4"	4"	6"	17 LBS
	2-1/2"	3"	PGIV270250	6-1/4"	11-5/8"	12-1/8"	7"	5/8"	2-3/4"	4"	6"	17 LBS
	3"	3"	PGIV270300	6-1/4"	11-5/8"	12-1/8"	7"	5/8"	2-3/4"	4"	6"	17 LBS
	4"	3"	PGIV280400	7"	13-3/8"	14-1/8"	8-1/4"	5/8"	2-3/4"	4"	6"	20 LBS
	5"	3"	PGIV280500	7"	13-3/8"	14-1/8"	8-1/4"	5/8"	2-3/4"	4"	6"	20 LBS
	6"	3"	PGIV290600	7-7/8"	15-1/8"	16-1/8"	9-7/8"	3/4"	4"	6"	8"	40 LBS
	8"	3"	PGIV300800	8-7/8"	17"	18-1/8"	10-7/8"	3/4"	4"	6"	8"	48 LBS
	10"	3"	PGIV311000	9-3/4"	18-3/4"	20-1/8"	11-7/8"	3/4"	4"	6"	8"	54 LBS
	12"	3"	PGIV321200	10-7/8"	21"	22-1/8"	11-3/4"	3/4"	4"	6"	8"	61 LBS
	14"	3"	PGIV331400	12-1/8"	23-1/8"	24-1/8"	14-1/2"	7/8"	6"	8"	8"	89 LBS
	16"	3"	PGIV341600	13"	25"	26-1/8"	15-1/2"	7/8"	6"	8"	8"	102 LBS
	18"	3"	PGIV351800	14-3/4"	27-3/4"	28-1/8"	17-1/8"	1-1/8"	6"	8"	12"	110 LBS
	20"	3"	PGIV362000	16-1/2"	31-1/2"	32-1/8"	19-1/4"	1-1/8"	6"	8"	12"	150 LBS

REV. 1 | INSTALL IMAGE UPDATED | DATE 6/11/2020



2323 W. HUBBARD ST.
 CHICAGO, IL 60612
 TEL: 312-738-3800
 FAX: 312-738-0415
 WWW.METRAFLEX.COM

MODEL PGIV

STYLE IV SPIDER TYPE GUIDE FOR 3" MAX INSULATION

DRAWN BY: **DKISH**

DATE: **4/3/2018**

APPROVED: **JC**

DATE: **4/3/2018**

SCALE: N/A

DRAWING NUMBER: PGIV-INS3-REV1

CUSTOMER: _____

PROJECT: _____

ENGINEER: _____