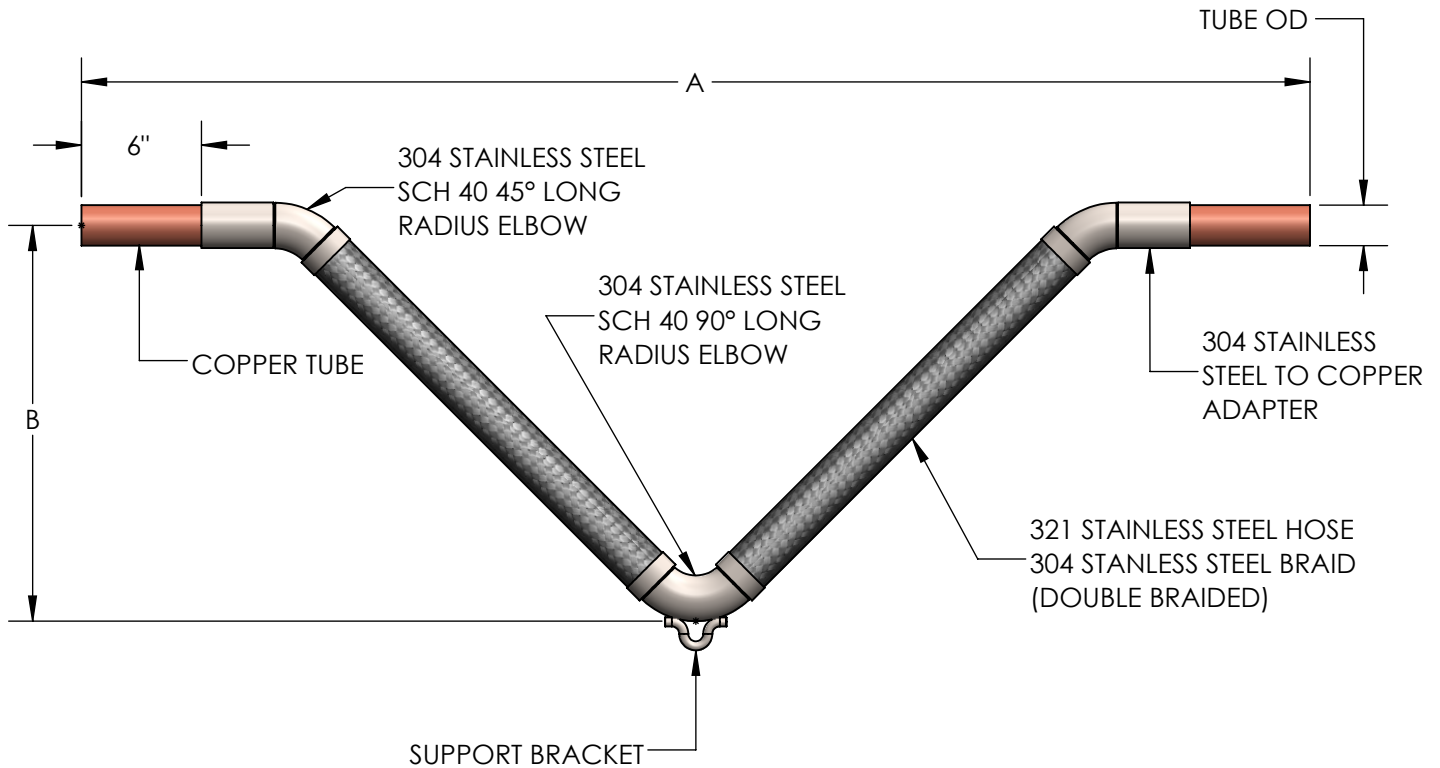


MODEL VLVRF8
V-LOOP FOR VRF SYSTEMS
±4" MOVEMENT, COPPER ENDS



CLEANED AND BAGGED PER PRAXAIR 99

YES NO

CONTACT FACTORY FOR ADDITIONAL SIZES AND MOVEMENTS.

QTY	PART NUMBER	NOM SIZE	TUBE OD	A	B	MOVEMENT	PRESSURE RATING	WEIGHT
	VLVRF80050	1/2"	5/8"	42-1/8"	11-1/4"	±4"	700 PSI @ 300°F	3 LBS
	VLVRF80063	5/8"	3/4"	45-3/4"	13"	±4"	700 PSI @ 300°F	5 LBS
	VLVRF80075	3/4"	7/8"	45-3/4"	13"	±4"	700 PSI @ 300°F	5 LBS
	VLVRF80100	1"	1-1/8"	47-3/8"	13-7/8"	±4"	700 PSI @ 300°F	7 LBS
	VLVRF80125	1-1/4"	1-3/8"	50"	15-1/8"	±4"	700 PSI @ 300°F	10 LBS
	VLVRF80150	1-1/2"	1-5/8"	52-5/8"	16-1/4"	±4"	640 PSI @ 300°F	13 LBS
	VLVRF80200	2"	2-1/8"	57-1/2"	18-3/8"	±4"	640 PSI @ 300°F	19 LBS


ALL VLVRF8'S ARE RATED FOR FULL VACUUM.

NOTE: COLD SPRINGING AT INSTALLATION IS RECOMMENDED.
 SEE INSTALLATION INSTRUCTIONS FOR DETAILS.

CUSTOMER: _____

PROJECT: _____

ENGINEER: _____

REV.	DATE
	
2323 W. HUBBARD ST. CHICAGO, IL 60612 TEL: 312-738-3800 FAX: 312-738-0415 WWW.METRAFLEX.COM	
V-LOOP FOR VRF SYSTEMS, COPPER TUBE ENDS	
DRAWN BY: BDIAZ	DATE: 4/14/2022
APPROVED: DKISH	DATE: 4/22/2022
SCALE: NTS	DRAWING NUMBER: VLVRF8-1