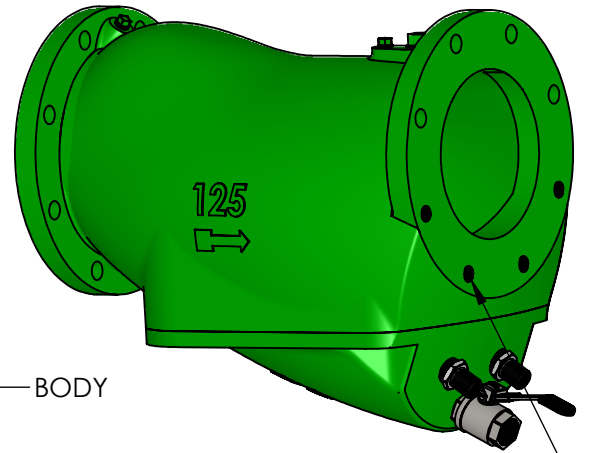
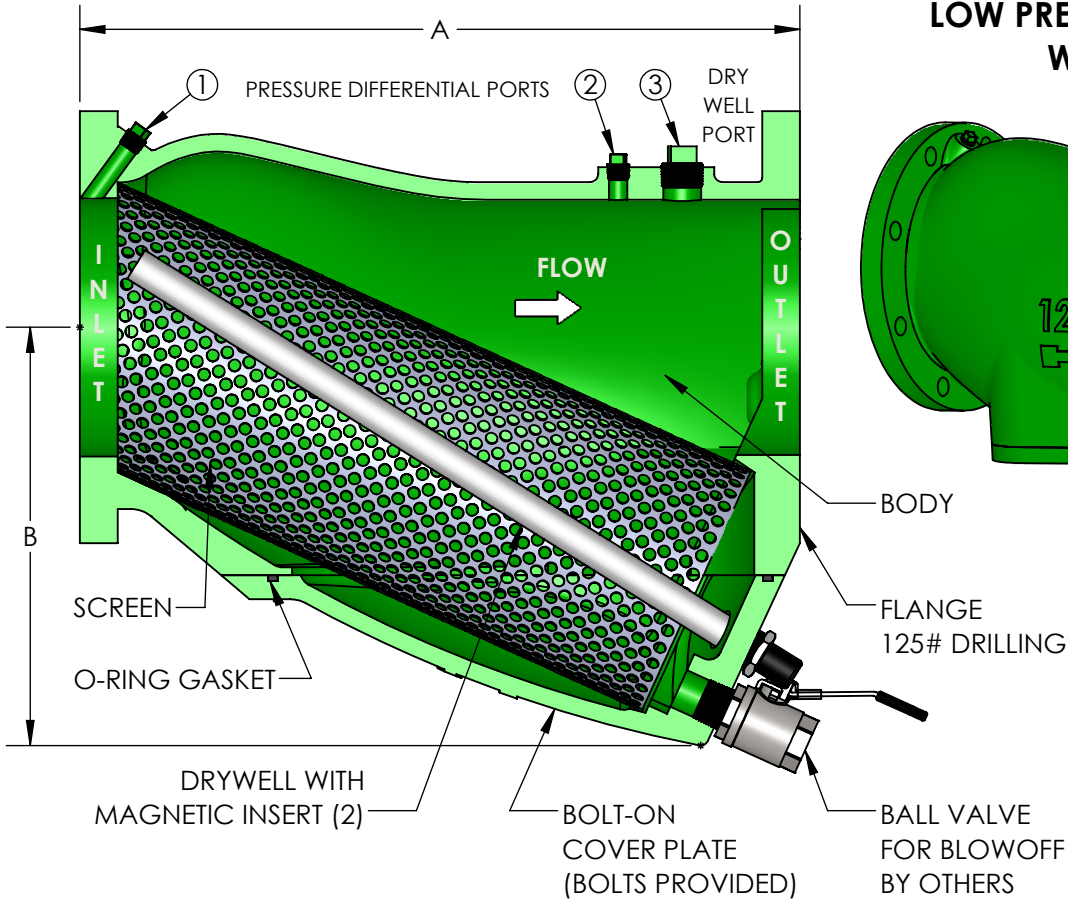


MODEL LPD-MAG 10" & 12" LOW PRESSURE DROP STRAINER WITH MAGNETIC INSERT



*TAPPED BOLT HOLES - HALF OF THE BOLT HOLES ON THE OUTLET END ARE TAPPED. SEE TAP SIZE BELOW FOR SIZING.

STANDARD SCREENS

SERVICE	SIZE	PERF
LIQUID	10" - 12"	.125"

MATERIALS OF CONSTRUCTION

BODY, FLANGES, COVER - CAST IRON
 SCREEN - 304 STAINLESS STEEL
 O-RING GASKET - VITON
 DRYWELL - 304 STAINLESS STEEL
 MAGNETS - NEODYMIUM

OPERATING TEMPERATURE/PRESSURE

WATER, OIL, GAS.....175 PSI @ 150°F
 MAXIMUM OPERATING TEMPERATURE: 212°F

QTY	PART NUMBER	PIPE SIZE		A	B	Cv # (GPM)	SCREEN AREA (in ²)	PORT SIZE (NPT)		BLOWOFF SIZE (NPT)	TAP SIZE (UNC)	TAP DEPTH	WEIGHT (LBS)
		INCH	MM					1 & 2	3				
	LPDM1000	10"	250	27"	16-5/8"	2424	745.2	3/8"	1"	2"	7/8"-9	1.125"	464
	LPDM1200	12"	300	29-7/8"	19-3/4"	3200	1035.1	3/8"	1"	2"	7/8"-9	1.125"	565

Cv IS THE FLOW RATE IN GALLONS OF 60°F WATER THAT WILL PASS THROUGH THE STRAINER IN 1 MINUTE AT A 1 PSI PRESSURE DROP.

NSF 372 - LEAD FREE

The wetted surface of this product contacted by consumable water contains less than one quarter of one percent (0.25%) of lead by weight. Material complies with state codes and standards, where applicable, requiring reduced lead content.

CUSTOMER: _____

PROJECT: _____

ENGINEER: _____

REV. 3	DIMENSIONS CLARIFIED	DATE 8/20/2021
		2323 W. HUBBARD ST. CHICAGO, IL 60612 TEL: 312-738-3800 FAX: 312-738-0415 WWW.METRAFLEX.COM
MODEL LPD-MAG 10"&12" LPD STRAINER WITH MAGNETIC INSERT		
DRAWN BY: DKISH		DATE: 1/24/2019
APPROVED: JC		DATE: 1/29/2019
SCALE: NTS	DRAWING NUMBER: LPDMAG10-3	