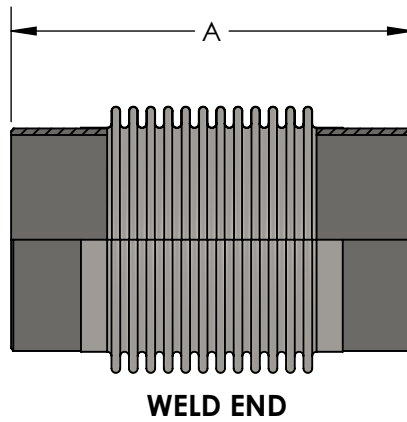
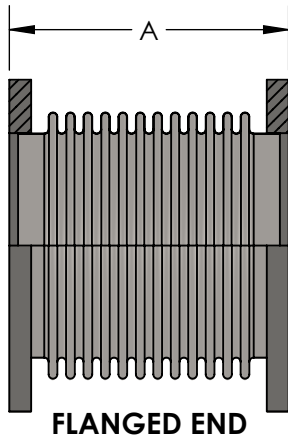


**MODEL MNLC300 - SIZES 2" THROUGH 8"**  
**LOW CORRUGATION EXPANSION JOINT, 300# CLASS**

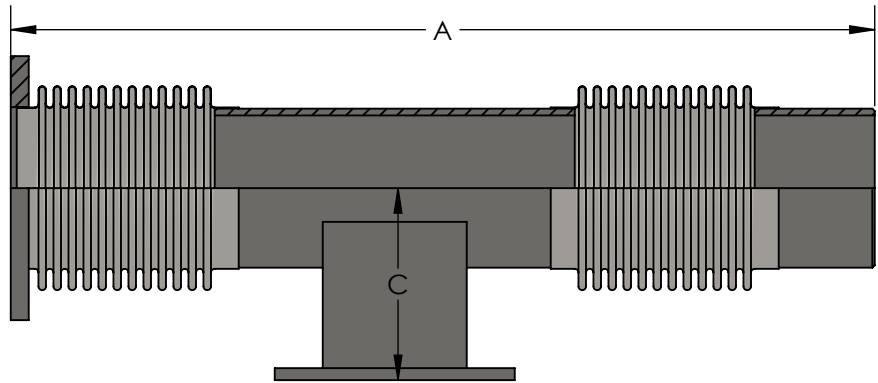


**DESIGN DATA**

WORKING PRESSURE: 300 PSI  
 WORKING TEMPERATURE: 800°F  
 TEST PRESSURE: 450 PSI

**MATERIALS OF CONSTRUCTION**

BELLOWS: 316 STAINLESS STEEL  
 300# FLANGES: CARBON STEEL  
 WELD ENDS: CARBON STEEL SCH STD



CUSTOM SIZES ARE AVAILABLE.  
 CONTACT METRAFLEX FOR DETAILS.  
 WHEN ORDERING, SPECIFY MOVEMENT.

**DOUBLE WITH ANCHOR BASE (CONTACT FACTORY)**

QTY	PIPE SIZE	SHORT / LONG	AXIAL COMP.	FLANGED ENDS		WELD ENDS		EFFECTIVE AREA	SPRING RATE
				OAL	WT	OAL	WT		
	2"	S	3/4"	6-1/2"	12 LBS	9-7/8"	3 LBS	6 in <sup>2</sup>	731 lbs/in
		L	1-1/4"	8-1/2"	14 LBS	11-3/4"	4 LBS		453 lbs/in
	2-1/2"	S	3/4"	7"	16 LBS	9-7/8"	3 LBS	9 in <sup>2</sup>	725 lbs/in
		L	1-1/4"	8-7/8"	17 LBS	11-3/4"	4 LBS		425 lbs/in
	3"	S	3/4"	7-3/8"	21 LBS	10-1/2"	5 LBS	12 in <sup>2</sup>	1138 lbs/in
		L	1-3/8"	9"	22 LBS	12"	7 LBS		759 lbs/in
	4"	S	7/8"	7-1/2"	37 LBS	10-5/8"	9 LBS	19 in <sup>2</sup>	1775 lbs/in
		L	1-3/4"	10-3/4"	40 LBS	13-3/4"	10 LBS		888 lbs/in
	5"	S	3/4"	7-5/8"	47 LBS	10-5/8"	14 LBS	29 in <sup>2</sup>	2059 lbs/in
		L	1-3/4"	11-1/4"	51 LBS	14-1/4"	17 LBS		961 lbs/in
	6"	S	3/4"	8"	89 LBS	11"	20 LBS	40 in <sup>2</sup>	2456 lbs/in
		L	1-3/4"	11-1/2"	94 LBS	14-1/2"	22 LBS		1146 lbs/in
	8"	S	1"	9-1/4"	126 LBS	12-1/8"	24 LBS	66 in <sup>2</sup>	2791 lbs/in
		L	2"	13-1/4"	131 LBS	16-1/8"	29 LBS		1395 lbs/in


**NSF 372 - LEAD FREE**

The wetted surface of this product contacted by consumable water contains less than one quarter of one percent (0.25%) of lead by weight. Material complies with state codes and standards, where applicable, requiring reduced lead content. Not suitable for potable water systems due to materials of construction.

CUSTOMER: \_\_\_\_\_

PROJECT: \_\_\_\_\_

ENGINEER: \_\_\_\_\_

REV.	DATE
	
2323 W. HUBBARD ST. CHICAGO, IL 60612 TEL: 312-738-3800 FAX: 312-738-0415 WWW.METRAFLEX.COM	
<b>MODEL MNLC</b> LOW CORRUGATION EXPANSION JOINT, 300# CLASS	
DRAWN BY: <b>DKISH</b>	DATE: <b>2/1/2018</b>
APPROVED: <b>JC</b>	DATE: <b>2/1/2018</b>
SCALE: <b>NTS</b>	DRAWING NUMBER: <b>MNLC300-2TO8-1</b>