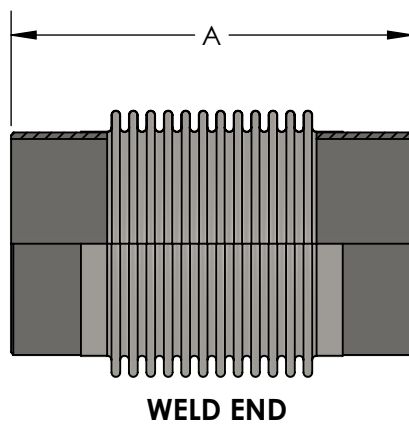
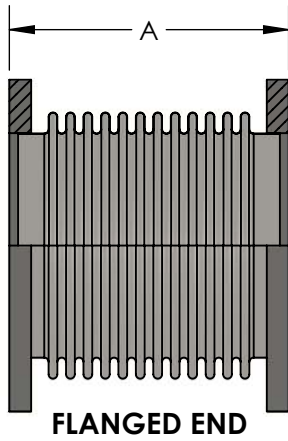


**MODEL MNLC300 - SIZES 2" THROUGH 8"**  
**LOW CORRUGATION EXPANSION JOINT, 300# CLASS**

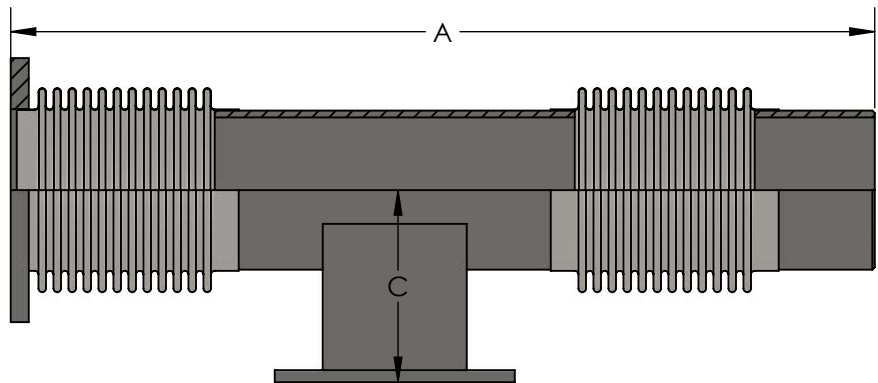


**DESIGN DATA**

WORKING PRESSURE: 300 PSI  
 WORKING TEMPERATURE: 800°F  
 TEST PRESSURE: 450 PSI

**MATERIALS OF CONSTRUCTION**

BELLOWS: 316 STAINLESS STEEL  
 300# FLANGES: CARBON STEEL  
 WELD ENDS: CARBON STEEL SCH STD



CUSTOM SIZES ARE AVAILABLE.  
 CONTACT METRAFLEX FOR DETAILS.  
 WHEN ORDERING, SPECIFY MOVEMENT.

**DOUBLE WITH ANCHOR BASE (CONTACT FACTORY)**

| QTY | PIPE SIZE | SHORT / LONG | AXIAL COMP. | FLANGED ENDS |         | WELD ENDS |        | EFFECTIVE AREA     | SPRING RATE |
|-----|-----------|--------------|-------------|--------------|---------|-----------|--------|--------------------|-------------|
|     |           |              |             | OAL          | WT      | OAL       | WT     |                    |             |
|     | 2"        | S            | 3/4"        | 6-1/2"       | 12 LBS  | 9-7/8"    | 3 LBS  | 6 in <sup>2</sup>  | 731 lbs/in  |
|     |           | L            | 1-1/4"      | 8-1/2"       | 14 LBS  | 11-3/4"   | 4 LBS  |                    | 453 lbs/in  |
|     | 2-1/2"    | S            | 3/4"        | 7"           | 16 LBS  | 9-7/8"    | 3 LBS  | 9 in <sup>2</sup>  | 725 lbs/in  |
|     |           | L            | 1-1/4"      | 8-7/8"       | 17 LBS  | 11-3/4"   | 4 LBS  |                    | 425 lbs/in  |
|     | 3"        | S            | 3/4"        | 7-3/8"       | 21 LBS  | 10-1/2"   | 5 LBS  | 12 in <sup>2</sup> | 1138 lbs/in |
|     |           | L            | 1-3/8"      | 9"           | 22 LBS  | 12"       | 7 LBS  |                    | 759 lbs/in  |
|     | 4"        | S            | 7/8"        | 7-1/2"       | 37 LBS  | 10-5/8"   | 9 LBS  | 19 in <sup>2</sup> | 1775 lbs/in |
|     |           | L            | 1-3/4"      | 10-3/4"      | 40 LBS  | 13-3/4"   | 10 LBS |                    | 888 lbs/in  |
|     | 5"        | S            | 3/4"        | 7-5/8"       | 47 LBS  | 10-5/8"   | 14 LBS | 29 in <sup>2</sup> | 2059 lbs/in |
|     |           | L            | 1-3/4"      | 11-1/4"      | 51 LBS  | 14-1/4"   | 17 LBS |                    | 961 lbs/in  |
|     | 6"        | S            | 3/4"        | 8"           | 89 LBS  | 11"       | 20 LBS | 40 in <sup>2</sup> | 2456 lbs/in |
|     |           | L            | 1-3/4"      | 11-1/2"      | 94 LBS  | 14-1/2"   | 22 LBS |                    | 1146 lbs/in |
|     | 8"        | S            | 1"          | 9-1/4"       | 126 LBS | 12-1/8"   | 24 LBS | 66 in <sup>2</sup> | 2791 lbs/in |
|     |           | L            | 2"          | 13-1/4"      | 131 LBS | 16-1/8"   | 29 LBS |                    | 1395 lbs/in |


**NSF 372 - LEAD FREE**

The wetted surface of this product contacted by consumable water contains less than one quarter of one percent (0.25%) of lead by weight. Material complies with state codes and standards, where applicable, requiring reduced lead content.

CUSTOMER: \_\_\_\_\_

PROJECT: \_\_\_\_\_

ENGINEER: \_\_\_\_\_

|   |                                       |
|---|---------------------------------------|
| REV.  | DATE                                  |
|                     |                                       |
| 2323 W. HUBBARD ST.<br>CHICAGO, IL 60612<br>TEL: 312-738-3800<br>FAX: 312-738-0415<br>WWW.METRAFLEX.COM |                                       |
| <b>MODEL MNLC</b><br>LOW CORRUGATION EXPANSION JOINT, 300# CLASS  |                                       |
| DRAWN BY: <b>DKISH</b>  | DATE: <b>2/1/2018</b>                 |
| APPROVED: <b>JC</b>   | DATE: <b>2/1/2018</b>                 |
| SCALE: <b>NTS</b>   | DRAWING NUMBER: <b>MNLC300-2TO8-1</b> |