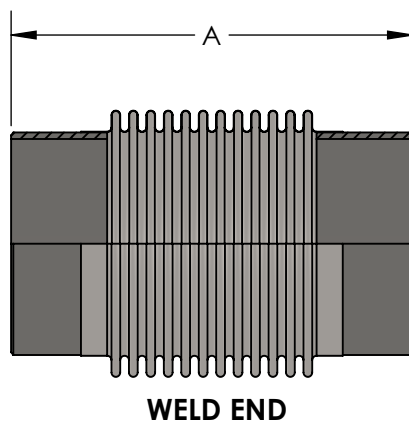
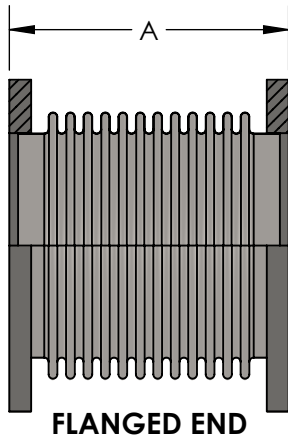


MODEL MNLC50 - SIZES 10" THROUGH 24"
LOW CORRUGATION EXPANSION JOINT, 50# CLASS

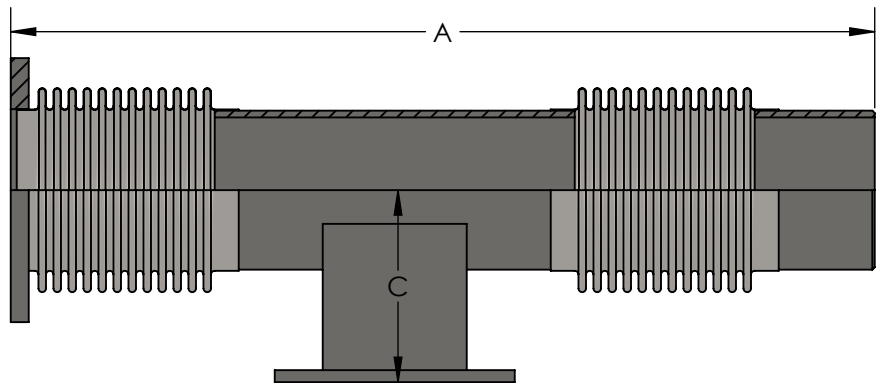


DESIGN DATA

WORKING PRESSURE: 50 PSI
 WORKING TEMPERATURE: 800°F
 TEST PRESSURE: 75 PSI

MATERIALS OF CONSTRUCTION

BELLOWS: 316 STAINLESS STEEL
 150# FLANGES: CARBON STEEL
 WELD ENDS: CARBON STEEL SCH STD



CUSTOM SIZES ARE AVAILABLE.
 CONTACT METRAFLEX FOR DETAILS.
 WHEN ORDERING, SPECIFY MOVEMENT.

DOUBLE WITH ANCHOR BASE (CONTACT FACTORY)

| QTY | PIPE SIZE | SHORT / LONG | AXIAL COMP. | FLANGED ENDS | | WELD ENDS | | EFFECTIVE AREA | SPRING RATE |
|-----|-----------|--------------|-------------|--------------|---------|-----------|---------|---------------------|-------------|
| | | | | OAL | WT | OAL | WT | | |
| | 10" | S | 1-1/2" | 9-3/8" | 45 LBS | 12-1/8" | 25 LBS | 104 in ² | 1655 lbs/in |
| | | L | 3-3/8" | 14-3/8" | 52 LBS | 17-1/4" | 32 LBS | | 750 lbs/in |
| | 12" | S | 1-1/2" | 9-3/4" | 70 LBS | 12-1/2" | 35 LBS | 146 in ² | 784 lbs/in |
| | | L | 3-1/4" | 13-1/2" | 85 LBS | 16-1/4" | 42 LBS | | 435 lbs/in |
| | 14" | S | 1-3/4" | 10-3/8" | 98 LBS | 14-1/8" | 56 LBS | 183 in ² | 2200 lbs/in |
| | | L | 3-1/2" | 15" | 112 LBS | 18-3/4" | 70 LBS | | 1100 lbs/in |
| | 16" | S | 1-3/4" | 11-1/4" | 112 LBS | 15" | 62 LBS | 237 in ² | 1720 lbs/in |
| | | L | 3-1/2" | 16-3/4" | 127 LBS | 20-1/2" | 77 LBS | | 860 lbs/in |
| | 18" | S | 1-3/4" | 11-1/2" | 112 LBS | 15" | 57 LBS | 298 in ² | 1640 lbs/in |
| | | L | 3-1/2" | 17" | 123 LBS | 20-1/2" | 68 LBS | | 820 lbs/in |
| | 20" | S | 1-3/4" | 13-3/8" | 130 LBS | 15" | 72 LBS | 362 in ² | 1960 lbs/in |
| | | L | 3-1/2" | 18-7/8" | 146 LBS | 20-1/2" | 88 LBS | | 980 lbs/in |
| | 22" | S | 1-3/4" | 14" | 140 LBS | 15" | 78 LBS | 434 in ² | 2040 lbs/in |
| | | L | 3-1/2" | 19-1/2" | 157 LBS | 20-1/2" | 95 LBS | | 1020 lbs/in |
| | 24" | S | 1-3/4" | 14-1/4" | 220 LBS | 15" | 88 LBS | 512 in ² | 2460 lbs/in |
| | | L | 3-1/2" | 19-3/4" | 240 LBS | 20-1/2" | 108 LBS | | 1230 lbs/in |


NSF 372 - LEAD FREE

The wetted surface of this product contacted by consumable water contains less than one quarter of one percent (0.25%) of lead by weight. Material complies with state codes and standards, where applicable, requiring reduced lead content. Not suitable for potable water systems due to materials of construction.

CUSTOMER: _____

PROJECT: _____

ENGINEER: _____

| | |
|---|--|
| REV. | DATE |
|  | |
| 2323 W. HUBBARD ST. CHICAGO, IL 60612 TEL: 312-738-3800 FAX: 312-738-0415 WWW.METRAFLEX.COM | |
| MODEL MNLC LOW CORRUGATION EXPANSION JOINT, 50# CLASS | |
| DRAWN BY: DKISH | DATE: 2/1/2018 |
| APPROVED: JC | DATE: 2/1/2018 |
| SCALE: NTS | DRAWING NUMBER: MNLC50-10TO24-1 |