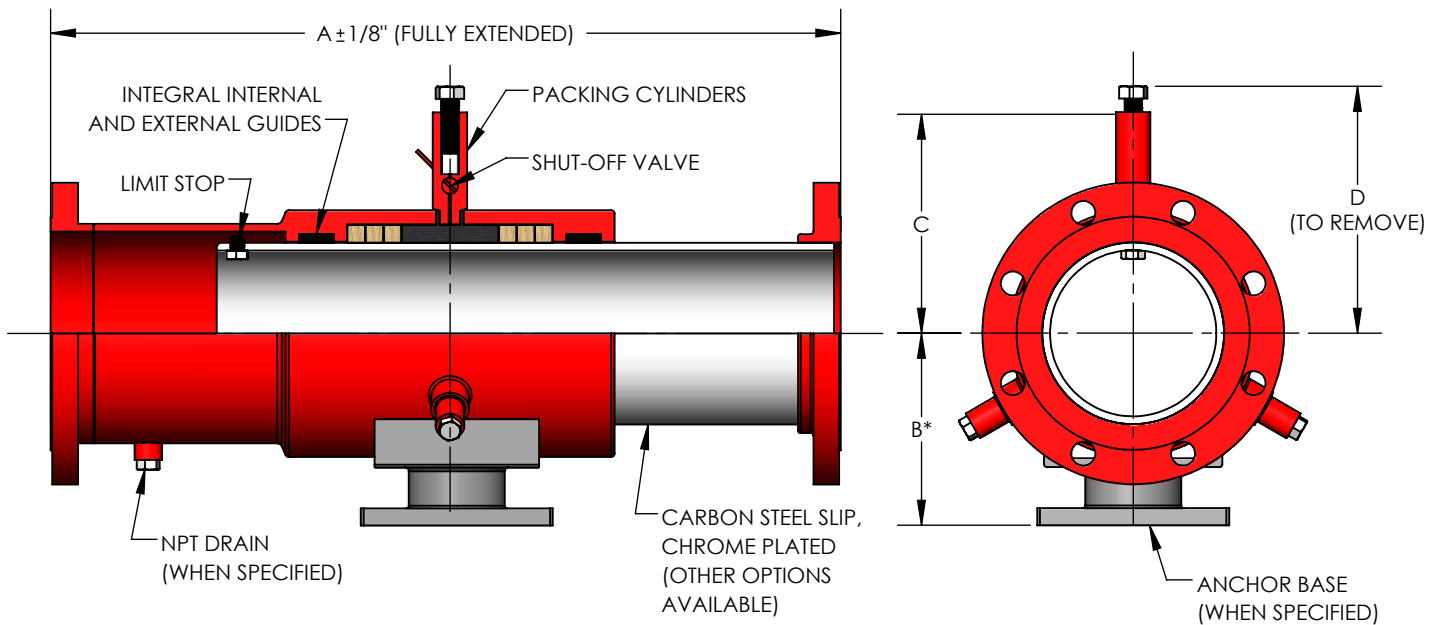


SINGLE METRAPAK - SLIP-TYPE EXPANSION JOINT - FLANGED ENDS



150# DIMENSIONS

QTY	SIZE	A - MOVEMENT			B *WITH BASE	C	D
		4"	8"	12"			
	1-1/4"	20-5/8"	28-5/8"	36-5/8"	3-5/8"	8-1/8"	8-1/16"
	1-1/2"	20-3/4"	28-3/4"	36-3/4"	3-3/4"	8-1/4"	8-1/8"
	2"	20-7/8"	28-3/4"	36-3/4"	4-1/8"	8-7/8"	8-7/16"
	2-1/2"	21"	29"	37"	4-1/2"	9-1/2"	8-3/4"
	3"	23-3/8"	31-3/8"	39-3/8"	4-7/8"	10-1/4"	9-1/8"
	3-1/2"	23-3/8"	31-3/8"	39-3/8"	5-1/4"	10-3/4"	9-3/8"
	4"	23-1/2"	31-1/2"	39-1/2"	5-1/2"	11-1/4"	9-5/8"
	5"	24"	32"	40"	6-1/4"	12-1/2"	10-1/4"
	6"	24"	32"	40"	7"	13-1/2"	10-3/4"
	8"	24-1/4"	32-1/4"	40-1/4"	8-3/8"	15-1/4"	11-5/8"
	10"	24-3/8"	32-3/8"	40-3/8"	9-3/4"	17-1/2"	12-3/4"
	12"	25"	33"	41"	11"	19-5/8"	13-13/16"
	14"	27-5/8"	35-5/8"	43-5/8"	11-1/2"	21-1/4"	14-5/8"
	16"	28-1/8"	36-1/8"	44-1/8"	12-3/4"	23-1/4"	15-5/8"
	18"	28-3/8"	36-3/8"	44-3/8"	13-1/2"	25-1/4"	16-5/8"
	20"	28-1/2"	36-1/2"	44-1/2"	14-3/4"	27-1/4"	17-5/8"
	24"	28-7/8"	36-7/8"	44-7/8"	17"	31-1/4"	19-5/8"

300# DIMENSIONS

QTY	SIZE	A - MOVEMENT			B *WITH BASE	C	D
		4"	8"	12"			
	1-1/4"	20-7/8"	28-7/8"	36-7/8"	3-5/8"	8-1/8"	9-1/2"
	1-1/2"	21"	29"	37"	3-3/4"	8-1/4"	9-9/16"
	2"	21-1/8"	29-1/8"	37-1/8"	4-1/8"	8-7/8"	9-7/8"
	2-1/2"	21-3/8"	29-3/8"	37-3/8"	4-1/2"	9-1/2"	10-3/16"
	3"	23-7/8"	31-7/8"	39-7/8"	4-7/8"	10-1/4"	10-9/16"
	3-1/2"	23-7/8"	31-3/8"	39-3/8"	5-1/4"	10-3/4"	10-13/16"
	4"	24"	32"	40"	5-1/2"	11-1/4"	11-1/16"
	5"	24-1/2"	32-1/2"	40-1/2"	6-1/4"	12-1/2"	11-11/16"
	6"	24-1/2"	32-1/2"	40-1/2"	7"	13-1/2"	12-3/16"
	8"	25"	33"	41"	8-3/8"	15-1/4"	13-1/16"
	10"	25-1/8"	33-1/8"	41-1/8"	9-3/4"	17-1/2"	14-3/16"
	12"	25-5/8"	33-5/8"	41-5/8"	11"	19-5/8"	15-1/4"
	14"	28-3/8"	34-3/8"	42-3/8"	12-1/2"	21-1/4"	16-1/16"
	16"	28-7/8"	36-7/8"	44-7/8"	13-1/2"	23-1/4"	17-1/16"
	18"	29-1/8"	37-1/8"	41-1/8"	15"	25-1/4"	18-1/16"
	20"	29-3/8"	37-3/8"	45-3/8"	16-1/4"	27-1/4"	19-1/16"
	24"	29-3/4"	37-3/4"	45-3/4"	19"	31-1/4"	21-1/16"

EXPANSION JOINTS SHIP IN THE FULLY EXTENDED POSITION FOR COMPRESSION ONLY. JOINTS ARE NOT PRE-SET FOR EXTENSION UNLESS SPECIFIED. EXPANSION JOINTS ARE DESIGNED FOR AXIAL MOVEMENT ONLY. PIPE MUST BE PROPERLY GUIDED AND ANCHORED PER THE RECOMMENDATIONS OF THE EXPANSION JOINT MANUFACTURERS ASSOCIATION.


NSF 372 - LEAD FREE

The wetted surface of this product contacted by consumable water contains less than one quarter of one percent (0.25%) of lead by weight. Material complies with state codes and standards, where applicable, requiring reduced lead content.

CUSTOMER: _____

PROJECT: _____

ENGINEER: _____

REV.	DATE
	
2323 W. HUBBARD ST. CHICAGO, IL 60612 TEL: 312-738-3800 FAX: 312-738-0415 WWW.METRAFLEX.COM	
<h2>METRAPAK</h2> SLIP-TYPE EXPANSION JOINTS, FLANGED ENDS	
DRAWN BY: DEVINR	DATE: 8/22/2022
APPROVED:	DATE:
SCALE: NTS	DRAWING NUMBER: PAKSF-1