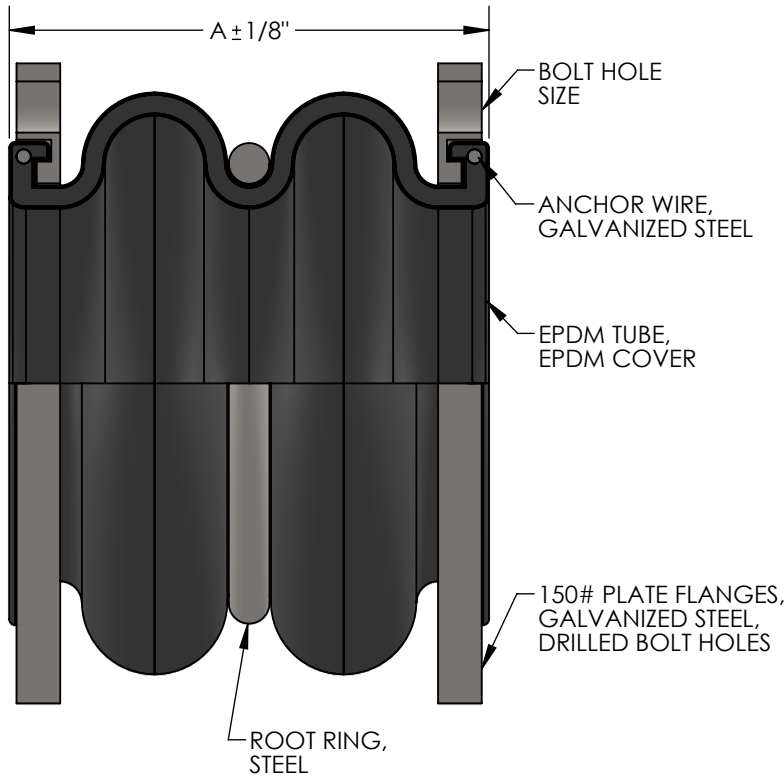


**MODEL DSEE, DOUBLESPIHERE  
EPDM EXPANSION JOINT, DRILLED BOLT HOLES**



**MAXIMUM OPERATING CONDITIONS**

TEMPERATURE	PRESSURE (PSI)	
	1" - 12"	14" AND UP
170°	225	125
180°	200	115
190°	175	105
200°	150	95
210°	125	40
220°	100	35
230°	75	25

MAXIMUM WORKING TEMPERATURE 230°F

**NOTES:**

WWW.METRAFLEX.COM FOR INSTALL INSTRUCTIONS.  
JOINT MUST BE INSTALLED AT ITS NEUTRAL LENGTH.  
BOLTS MUST BE PROPERLY TORQUED.  
NOT SUITABLE FOR STEAM OR VACUUM APPLICATIONS.  
IF CONNECTING PIPE IS NOT ANCHORED AND GUIDED,  
CONTROL UNITS MUST BE USED.

TO BE FURNISHED WITH CONTROL UNITS:

YES  NO

QTY	PART NUMBER	PIPE SIZE		A	AXIAL COMP.	AXIAL EXT.	LATERAL OFFSET	ANGULAR	SPRING RATE (LBS/IN)	WEIGHT (LBS)	BOLT HOLE SIZE
		INCH	MM								
	DSEE0125	1-1/4"	32	7"	2"	1-1/8"	1-3/4"	40°	N/A	8	5/8"
	DSEE0150	1-1/2"	38	7"	2"	1-1/8"	1-3/4"	40°	N/A	9	5/8"
	DSEE0200	2"	50	7"	2"	1-1/8"	1-3/4"	40°	160	10	3/4"
	DSEE0250	2-1/2"	65	7"	2"	1-1/8"	1-3/4"	40°	310	13	3/4"
	DSEE0300	3"	80	7"	2"	1-3/8"	1-3/4"	40°	320	14	3/4"
	DSEE0400	4"	100	9"	2"	1-3/8"	1-1/2"	35°	450	15	3/4"
	DSEE0500	5"	125	9"	2"	1-3/8"	1-1/2"	30°	360	24	7/8"
	DSEE0600	6"	150	9"	2"	1-3/8"	1-1/2"	30°	760	33	7/8"
	DSEE0800	8"	200	13"	2-3/8"	1-3/8"	1-3/8"	30°	1030	48	7/8"
	DSEE1000	10"	250	13"	2-3/8"	1-3/8"	1-3/8"	30°	680	65	1"
	DSEE1200	12"	300	13"	2-3/8"	1-3/8"	1-3/8"	20°	950	103	1"
	DSEE1400	14"	350	13-3/4"	1-1/2"	1-1/8"	1-1/8"	20°	N/A	128	1-1/8"
	DSEE1600	16"	400	13-3/4"	1-1/2"	1-1/8"	1-1/8"	20°	N/A	158	1-1/8"
	DSEE1800	18"	450	13-3/4"	1-1/2"	1-1/8"	1-1/8"	20°	N/A	180	1-1/4"
	DSEE2000	20"	500	13-3/4"	1-1/2"	1-1/8"	1-1/8"	20°	N/A	210	1-1/4"
	DSEE2400	24"	600	13-3/4"	1-9/16"	1-3/16"	1-3/16"	20°	N/A	295	1-3/8"


**NSF 372 - LEAD FREE**

The wetted surface of this product contacted by consumable water contains less than one quarter of one percent (0.25%) of lead by weight. Material complies with state codes and standards, where applicable, requiring reduced lead content.

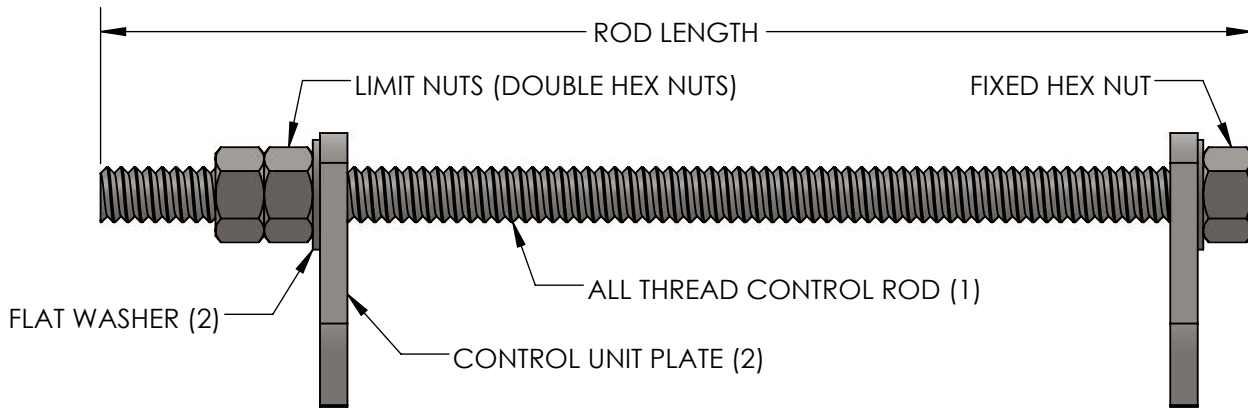
CUSTOMER: \_\_\_\_\_

PROJECT: \_\_\_\_\_

ENGINEER: \_\_\_\_\_

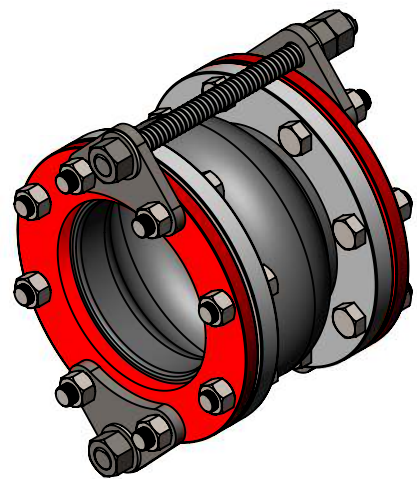
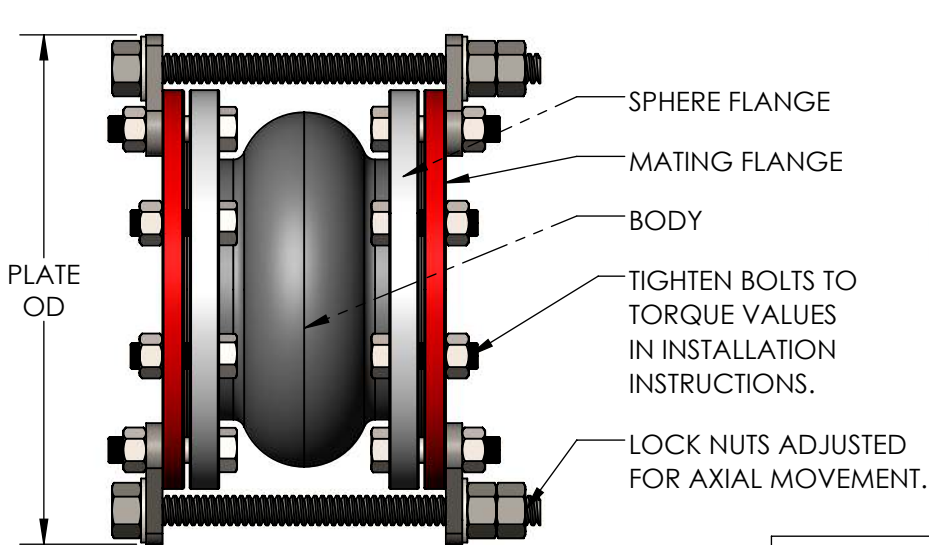
REV.	DATE
	
2323 W. HUBBARD ST. CHICAGO, IL 60612 TEL: 312-738-3800 FAX: 312-738-0415 WWW.METRAFLEX.COM	
<b>METRASPHERE MODEL DSEE</b> EPDM EXPANSION JOINT, DRILLED BOLT HOLES	
DRAWN BY: <b>DKISH</b>	DATE: <b>1/24/2017</b>
APPROVED: <b>JC</b>	DATE: <b>1/27/2017</b>
SCALE: <b>N/A</b>	DRAWING NUMBER: <b>DSEE-1</b>

**CONTROL UNIT SELECTION CHART / DIMENSIONS  
FOR MODEL DS (DOUBLESFERES) ONLY**



CONSULT FACTORY FOR NUMBER OF CONTROL UNITS REQUIRED

PIPE SIZE	ROD TYPE	ROD THICKNESS	ROD LENGTH	PLATE TYPE	PLATE THICKNESS	PLATE OD
2"	GUSRD058X140	5/8"	14"	GUSPLT0204	3/8"	10-1/8"
2-1/2"	GUSRD058X140	5/8"	14"	GUSPLT2503	3/8"	11-1/8"
3"	GUSRD058X140	5/8"	14"	GUSPLT2503	3/8"	11-5/8"
4"	GUSRD058X160	5/8"	16"	GUSPLT0204	3/8"	13-1/8"
5"	GUSRD058X160	5/8"	16"	GUSPLT0506	1/2"	14-1/8"
6"	GUSRD058X160	5/8"	16"	GUSPLT0506	1/2"	15-1/8"
8"	GUSRD100X210	1"	21"	GUSPLT0800	1/2"	19-1/8"
10"	GUSRD100X250	1"	25"	GUSPLT1012	3/4"	21-5/8"
12"	GUSRD100X250	1"	25"	GUSPLT1012	3/4"	24-5/8"
14"	GUSRD100X250	1"	25"	GUSPLT1400	3/4"	26-5/8"
16"	GUSRD125X295	1-1/4"	29-1/2"	GUSPLT1600	3/4"	30-1/8"
18"	GUSRD125X295	1-1/4"	29-1/2"	GUSPLT1800	3/4"	31-5/8"
20"	GUSRD125X295	1-1/4"	29-1/2"	GUSPLT2000	3/4"	34-1/8"
24"	GUSRD125X295	1-1/4"	29-1/2"	GUSPLT2400	1"	38-5/8"



CUSTOMER: \_\_\_\_\_

PROJECT: \_\_\_\_\_

ENGINEER: \_\_\_\_\_

**Metraflex**  
*for pipes in motion*

2323 W. HUBBARD ST.  
CHICAGO, IL 60612  
TEL: 312-738-3800  
FAX: 312-738-0415  
WWW.METRAFLEX.COM

**CONTROL UNITS FOR DOUBLESFERES**

DRAWN BY: **DKISH** DATE: **1/5/2017**

APPROVED: **JC** DATE: **1/6/2017**

SCALE: **N/A** DRAWING NUMBER: **CONTROLUNIT-DS**