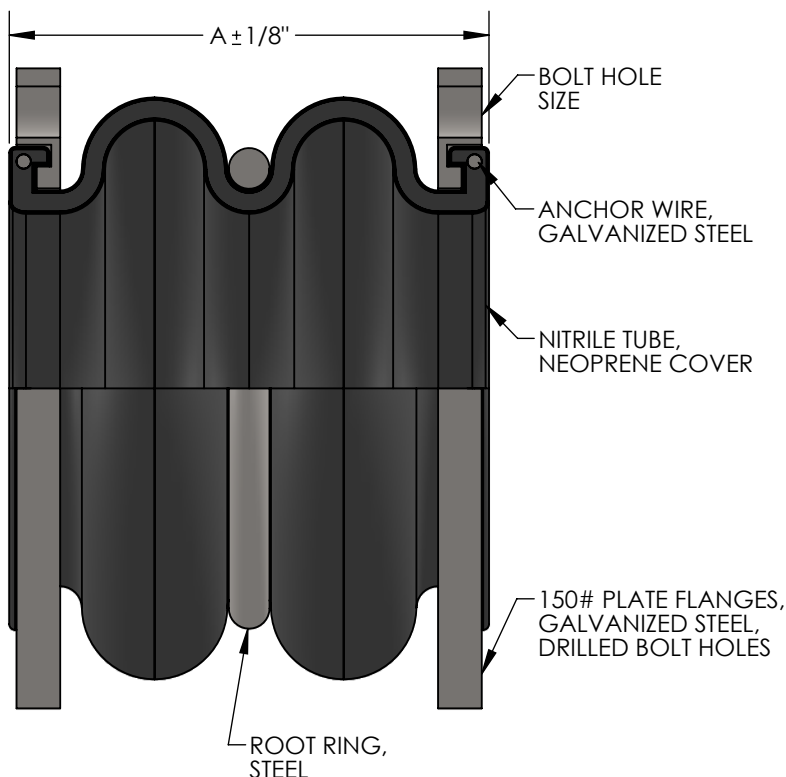


MODEL DSPN, DOUBLESPIHERE
NITRILE EXPANSION JOINT, DRILLED BOLT HOLES



MAXIMUM OPERATING CONDITIONS

TEMPERATURE	PRESSURE (PSI)	
	1" - 12"	14" AND UP
170°	225	125
180°	200	115
190°	175	105
200°	150	95
210°	125	40
220°	100	35
230°	75	25

MAXIMUM WORKING TEMPERATURE 230°F

NOTES:

WWW.METRAFLEX.COM FOR INSTALL INSTRUCTIONS.
 JOINT MUST BE INSTALLED AT ITS NEUTRAL LENGTH.
 BOLTS MUST BE PROPERLY TORQUED.
 NOT SUITABLE FOR STEAM OR VACUUM APPLICATIONS.
 IF CONNECTING PIPE IS NOT ANCHORED AND GUIDED,
 CONTROL UNITS MUST BE USED.

TO BE FURNISHED WITH CONTROL UNITS:

YES NO

QTY	PART NUMBER	PIPE SIZE		A	AXIAL COMP.	AXIAL EXT.	LATERAL OFFSET	ANGULAR	SPRING RATE (LBS/IN)	WEIGHT (LBS)	BOLT HOLE SIZE
		INCH	MM								
	DSPN0125	1-1/4"	32	7"	2"	1-1/8"	1-3/4"	40°	N/A	8	5/8"
	DSPN0150	1-1/2"	38	7"	2"	1-1/8"	1-3/4"	40°	N/A	9	5/8"
	DSPN0200	2"	50	7"	2"	1-1/8"	1-3/4"	40°	160	10	3/4"
	DSPN0250	2-1/2"	65	7"	2"	1-1/8"	1-3/4"	40°	310	13	3/4"
	DSPN0300	3"	80	7"	2"	1-3/8"	1-3/4"	40°	320	14	3/4"
	DSPN0400	4"	100	9"	2"	1-3/8"	1-1/2"	35°	450	15	3/4"
	DSPN0500	5"	125	9"	2"	1-3/8"	1-1/2"	30°	360	24	7/8"
	DSPN0600	6"	150	9"	2"	1-3/8"	1-1/2"	30°	760	33	7/8"
	DSPN0800	8"	200	13"	2-3/8"	1-3/8"	1-3/8"	30°	1030	48	7/8"
	DSPN1000	10"	250	13"	2-3/8"	1-3/8"	1-3/8"	30°	680	65	1"
	DSPN1200	12"	300	13"	2-3/8"	1-3/8"	1-3/8"	20°	950	103	1"
	DSPN1400	14"	350	13-3/4"	1-1/2"	1-1/8"	1-1/8"	20°	N/A	128	1-1/8"
	DSPN1600	16"	400	13-3/4"	1-1/2"	1-1/8"	1-1/8"	20°	N/A	158	1-1/8"
	DSPN1800	18"	450	13-3/4"	1-1/2"	1-1/8"	1-1/8"	20°	N/A	180	1-1/4"
	DSPN2000	20"	500	13-3/4"	1-1/2"	1-1/8"	1-1/8"	20°	N/A	210	1-1/4"
	DSPN2400	24"	600	13-3/4"	1-9/16"	1-3/16"	1-3/16"	20°	N/A	295	1-3/8"


NSF 372 - LEAD FREE

The wetted surface of this product contacted by consumable water contains less than one quarter of one percent (0.25%) of lead by weight. Material complies with state codes and standards, where applicable, requiring reduced lead content.

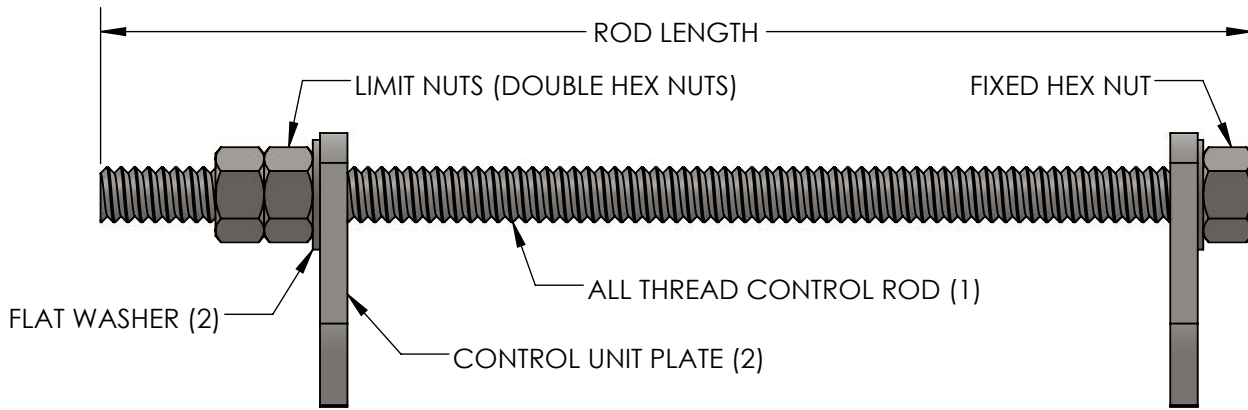
CUSTOMER: _____

PROJECT: _____

ENGINEER: _____

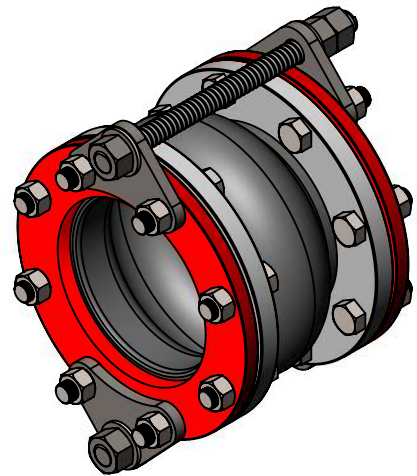
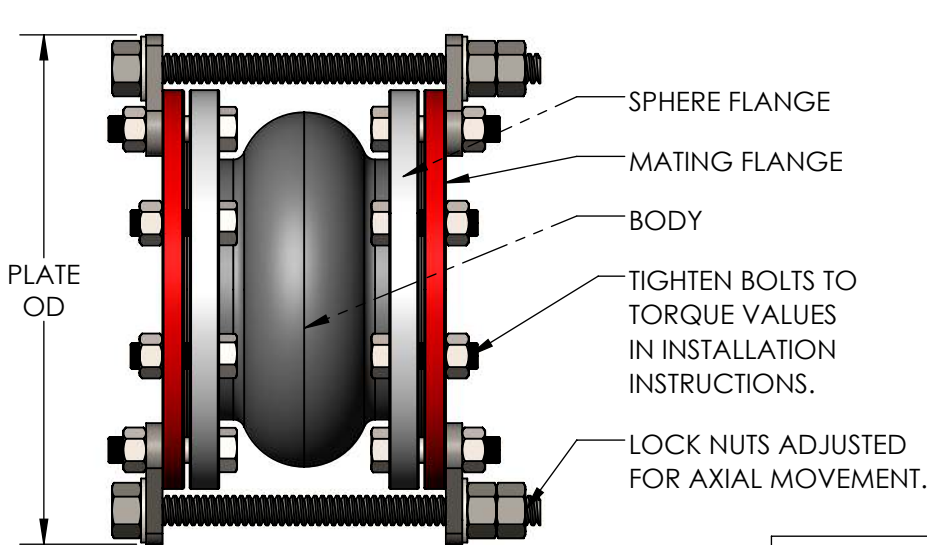
REV.	DATE
	
2323 W. HUBBARD ST. CHICAGO, IL 60612 TEL: 312-738-3800 FAX: 312-738-0415 WWW.METRAFLEX.COM	
METRASPHERE MODEL DSPN NITRILE EXPANSION JOINT, DRILLED BOLT HOLES	
DRAWN BY: DKISH	DATE: 1/24/2017
APPROVED: JC	DATE: 1/27/2017
SCALE: N/A	DRAWING NUMBER: DSPN-1

**CONTROL UNIT SELECTION CHART / DIMENSIONS
FOR MODEL DS (DOUBLESFERES) ONLY**



CONSULT FACTORY FOR NUMBER OF CONTROL UNITS REQUIRED

PIPE SIZE	ROD TYPE	ROD THICKNESS	ROD LENGTH	PLATE TYPE	PLATE THICKNESS	PLATE OD
2"	GUSRD058X140	5/8"	14"	GUSPLT0204	3/8"	10-1/8"
2-1/2"	GUSRD058X140	5/8"	14"	GUSPLT2503	3/8"	11-1/8"
3"	GUSRD058X140	5/8"	14"	GUSPLT2503	3/8"	11-5/8"
4"	GUSRD058X160	5/8"	16"	GUSPLT0204	3/8"	13-1/8"
5"	GUSRD058X160	5/8"	16"	GUSPLT0506	1/2"	14-1/8"
6"	GUSRD058X160	5/8"	16"	GUSPLT0506	1/2"	15-1/8"
8"	GUSRD100X210	1"	21"	GUSPLT0800	1/2"	19-1/8"
10"	GUSRD100X250	1"	25"	GUSPLT1012	3/4"	21-5/8"
12"	GUSRD100X250	1"	25"	GUSPLT1012	3/4"	24-5/8"
14"	GUSRD100X250	1"	25"	GUSPLT1400	3/4"	26-5/8"
16"	GUSRD125X295	1-1/4"	29-1/2"	GUSPLT1600	3/4"	30-1/8"
18"	GUSRD125X295	1-1/4"	29-1/2"	GUSPLT1800	3/4"	31-5/8"
20"	GUSRD125X295	1-1/4"	29-1/2"	GUSPLT2000	3/4"	34-1/8"
24"	GUSRD125X295	1-1/4"	29-1/2"	GUSPLT2400	1"	38-5/8"



CUSTOMER: _____

PROJECT: _____

ENGINEER: _____

Metraflex
for pipes in motion

2323 W. HUBBARD ST.
CHICAGO, IL 60612
TEL: 312-738-3800
FAX: 312-738-0415
WWW.METRAFLEX.COM

CONTROL UNITS FOR DOUBLESFERES

DRAWN BY: **DKISH** DATE: **1/5/2017**

APPROVED: **JC** DATE: **1/6/2017**

SCALE: **N/A** DRAWING NUMBER: **CONTROLUNIT-DS**