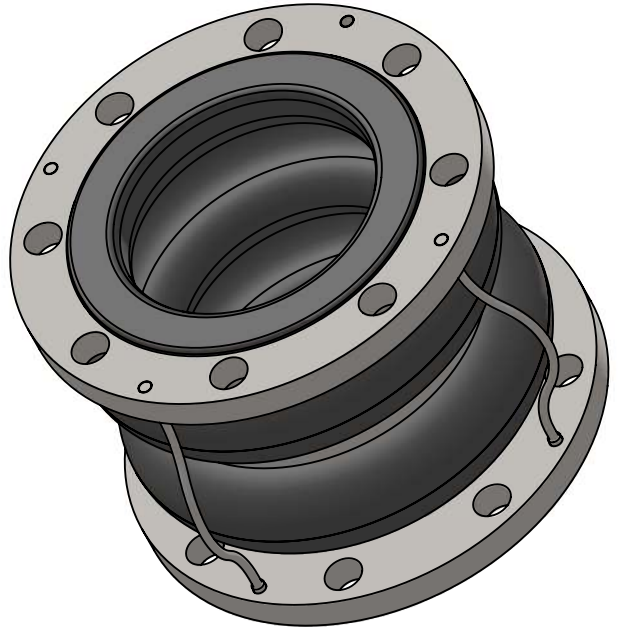
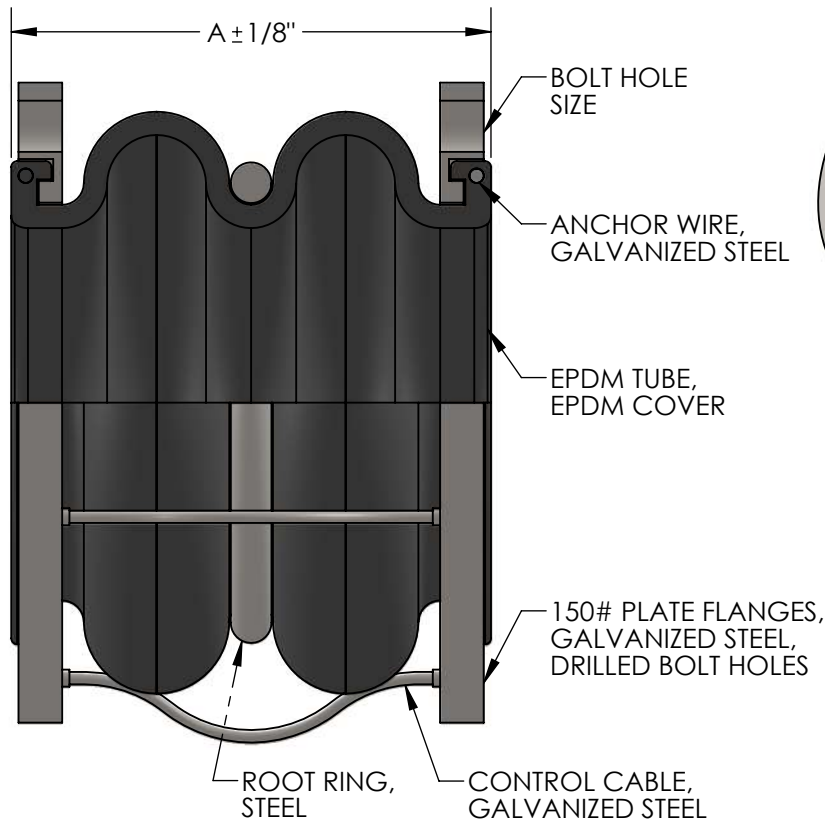


DOUBLE CABLESPHERE, MODEL DSRCEE
EPDM EXPANSION JOINT, DRILLED BOLT HOLES



MAXIMUM OPERATING CONDITIONS

| TEMPERATURE | PRESSURE (PSI) |
|-------------|----------------|
| 170° | 225 |
| 180° | 200 |
| 190° | 175 |
| 200° | 150 |
| 210° | 125 |
| 220° | 100 |
| 230° | 75 |

MAXIMUM WORKING TEMPERATURE 230 °F

NOTES:
 WWW.METRAFLEX.COM FOR INSTALLATION INSTRUCTIONS.
 JOINT MUST BE INSTALLED AT ITS NEUTRAL LENGTH.
 BOLTS MUST BE PROPERLY TORQUED.
 NOT SUITABLE FOR STEAM OR VACUUM APPLICATIONS.

| QTY | PART NUMBER | PIPE SIZE | | A | AXIAL COMP. | AXIAL EXT. | LATERAL OFFSET | ANGULAR | SPRING RATE (LBS/IN) | WEIGHT (LBS) | BOLT HOLE SIZE | CABLES |
|-----|-------------|-----------|-----|-----|-------------|------------|----------------|---------|----------------------|--------------|----------------|--------|
| | | INCH | MM | | | | | | | | | |
| | DSRCEE0200 | 2" | 50 | 7" | 2" | 3/16" | 1" | 40° | 160 | 10 | 3/4" | 2 |
| | DSRCEE0250 | 2-1/2" | 65 | 7" | 2" | 3/16" | 1" | 40° | 310 | 13 | 3/4" | 2 |
| | DSRCEE0300 | 3" | 80 | 7" | 2" | 3/16" | 1" | 40° | 320 | 14 | 3/4" | 2 |
| | DSRCEE0400 | 4" | 100 | 9" | 2" | 1/4" | 1-1/2" | 35° | 450 | 15 | 3/4" | 2 |
| | DSRCEE0500 | 5" | 125 | 9" | 2" | 1/4" | 1-1/2" | 30° | 360 | 24 | 7/8" | 4 |
| | DSRCEE0600 | 6" | 150 | 9" | 2" | 1/4" | 1-1/2" | 30° | 760 | 33 | 7/8" | 4 |
| | DSRCEE0800 | 8" | 200 | 13" | 2-3/8" | 1/4" | 1-3/8" | 30° | 1030 | 48 | 7/8" | 4 |
| | DSRCEE1000 | 10" | 250 | 13" | 2-3/8" | 1/4" | 1-3/8" | 30° | 680 | 65 | 1" | 4 |
| | DSRCEE1200 | 12" | 300 | 13" | 2-3/8" | 1/4" | 1-3/8" | 20° | 950 | 103 | 1" | 4 |


NSF 372 - LEAD FREE

The wetted surface of this product contacted by consumable water contains less than one quarter of one percent (0.25%) of lead by weight. Material complies with state codes and standards, where applicable, requiring reduced lead content.

CUSTOMER: _____

PROJECT: _____

ENGINEER: _____

| | |
|---|---------------------------------|
| REV. | DATE |
|  | |
| 2323 W. HUBBARD ST. CHICAGO, IL 60612 TEL: 312-738-3800 FAX: 312-738-0415 WWW.METRAFLEX.COM | |
| CABLESPHERE MODEL DSRCEE EPDM EXPANSION JOINT, DRILLED BOLT HOLES | |
| DRAWN BY: DKISH | DATE: 1/24/2017 |
| APPROVED: JC | DATE: 1/27/2017 |
| SCALE: N/A | DRAWING NUMBER: DSRCEE-1 |