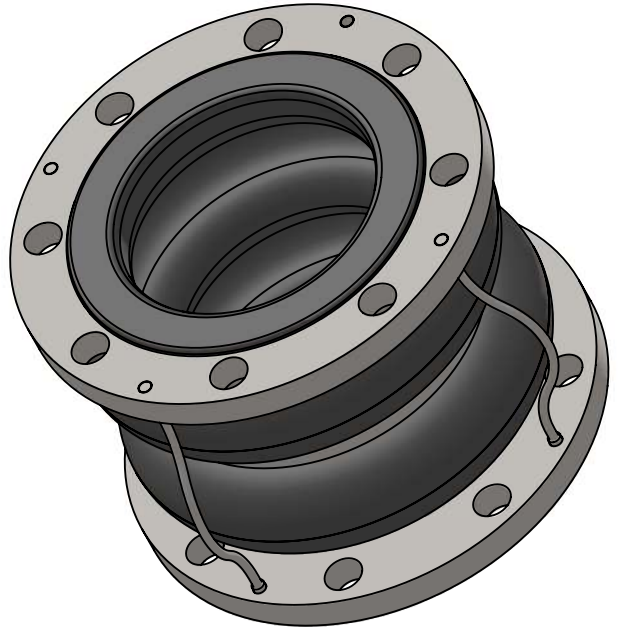
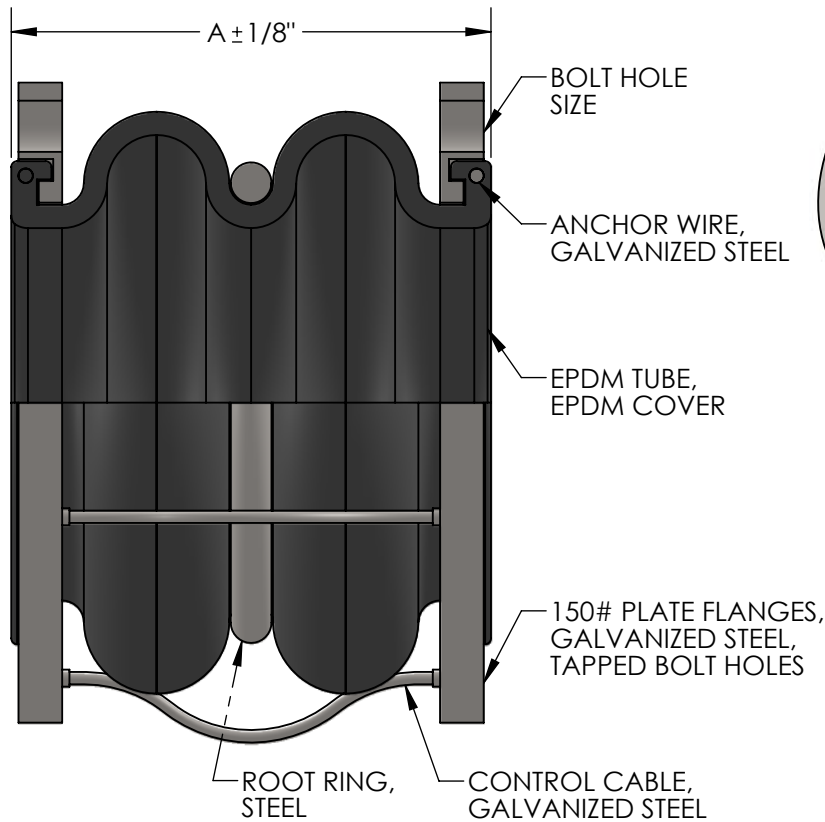


**DOUBLE CABLESPHERE, MODEL DSRCEE  
EPDM EXPANSION JOINT, DRILLED BOLT HOLES**



**MAXIMUM OPERATING CONDITIONS**

TEMPERATURE	PRESSURE (PSI)
170°	225
180°	200
190°	175
200°	150
210°	125
220°	100
230°	75

**MAXIMUM WORKING TEMPERATURE 230 °F**

NOTES:  
WWW.METRAFLEX.COM FOR INSTALLATION INSTRUCTIONS.  
JOINT MUST BE INSTALLED AT ITS NEUTRAL LENGTH.  
BOLTS MUST BE PROPERLY TORQUED.  
NOT SUITABLE FOR STEAM OR VACUUM APPLICATIONS.

QTY	PART NUMBER	PIPE SIZE		A	AXIAL COMP.	AXIAL EXT.	LATERAL OFFSET	ANGULAR	SPRING RATE (LBS/IN)	WEIGHT (LBS)	BOLT HOLE SIZE	CABLES
		INCH	MM									
	DSRCEE0200	2"	50	7"	2"	3/16"	1"	40°	160	10	3/4"	2
	DSRCEE0250	2-1/2"	65	7"	2"	3/16"	1"	40°	310	13	3/4"	2
	DSRCEE0300	3"	80	7"	2"	3/16"	1"	40°	320	14	3/4"	2
	DSRCEE0400	4"	100	9"	2"	1/4"	1-1/2"	35°	450	15	3/4"	2
	DSRCEE0500	5"	125	9"	2"	1/4"	1-1/2"	30°	360	24	7/8"	4
	DSRCEE0600	6"	150	9"	2"	1/4"	1-1/2"	30°	760	33	7/8"	4
	DSRCEE0800	8"	200	13"	2-3/8"	1/4"	1-3/8"	30°	1030	48	7/8"	4
	DSRCEE1000	10"	250	13"	2-3/8"	1/4"	1-3/8"	30°	680	65	1"	4
	DSRCEE1200	12"	300	13"	2-3/8"	1/4"	1-3/8"	20°	950	103	1"	4


**NSF 372 - LEAD FREE**

The wetted surface of this product contacted by consumable water contains less than one quarter of one percent (0.25%) of lead by weight. Material complies with state codes and standards, where applicable, requiring reduced lead content.

CUSTOMER: \_\_\_\_\_

PROJECT: \_\_\_\_\_

ENGINEER: \_\_\_\_\_

REV.	DATE
	
2323 W. HUBBARD ST. CHICAGO, IL 60612 TEL: 312-738-3800 FAX: 312-738-0415 WWW.METRAFLEX.COM	
<b>CABLESPHERE MODEL DSRCEE</b> EPDM EXPANSION JOINT, DRILLED BOLT HOLES	
DRAWN BY: <b>DKISH</b>	DATE: <b>1/24/2017</b>
APPROVED: <b>JC</b>	DATE: <b>1/27/2017</b>
SCALE: <b>N/A</b>	DRAWING NUMBER: <b>DSRCEE-1</b>