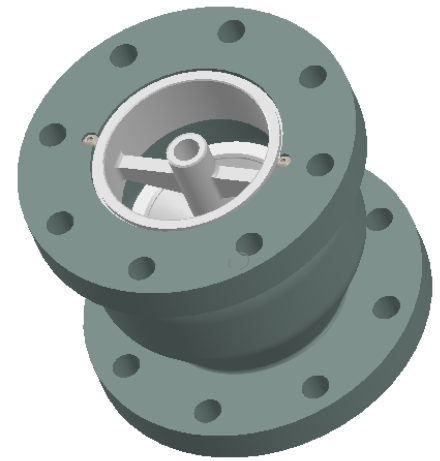


MAX NON-SHOCK
WORKING PSI

TEMPERATURE	PSI
150 °F	200
200 °F	190



NSF 372 - LEAD FREE

The wetted surface of this product contacted by consumable water contains less than one quarter of one percent (0.25%) of lead by weight. Material complies with state codes and standards, where applicable, requiring reduced lead content. Not suitable for potable water systems due to materials of construction.

ITEM	PART NAME	MATERIAL	ASTM NO.
1	BODY	CAST IRON	A126 CL. B
2	SEAT	DUCTILE IRON	A536, Ni COAT
3	PLUG	DUCTILE IRON	A536, Ni COAT
4	SPRING	STAINLESS	T304
5	BUSHING	STAINLESS	T304
6	O-RING	EPDM	D2000
7	SCREW	STAINLESS	T304

Notes:

Valve is designed for liquid service only. Install 5 to 10 pipe diameters downstream from pump discharge or elbows to avoid flow turbulence. The intake side of CVO 900 series check valves must be mated to a ANSI B16.5 flat faced steel flange. The discharge side can be mated to a ANSI B16.5 flat faced steel flange, or for sizes 2-1/2" through 10", a wafer style butterfly valve without the use of spools or adaptors.



FOR ADDITIONAL FLOW STRAIGHTENING
SEE THE VANE FLEX AT
www.metroflex.com/vaneflex

Valve complies with MSS-SP-125-2010.

2-1/2" valve trim is threaded into body.

Qty.	Part Number	Size I.D. (in)	A (in)	B (in)	C (in)	D (in)	E (in)	Cv*	Weight (Lbs)	Bolt Size (in)	Number Of Bolts
	CVODINC9025	2-1/2	7	5-1/2	5-1/2	11/16	1-3/16	110	20	5/8	4
	CVODINC903	3	7-1/2	6	6	15/16	1-3/8	155	26	5/8	4
	CVODINC904	4	9	7-1/4	7-1/4	15/16	1-3/4	278	44	5/8	8
	CVODINC905	5	10	8-1/2	8-1/2	15/16	2	435	56	3/4	8
	CVODINC906	6	11	9-3/4	9-1/2	1	2-1/2	625	79	3/4	8
	CVODINC908	8	13-1/2	12-1/2	11-3/4	1-1/8	3-1/4	1115	137	3/4	8
	CVODINC910	10	16	15-1/2	14-1/4	1-3/16	4-1/4	1770	223	7/8	12
	CVODINC912	12	19	14-1/4	17	1-1/4	**	2500	298	7/8	12

*Cv is the number of U.S. gallons/minute of 60°F water that will flow through a valve with 1 PSI of pressure drop across the valve.

**Plug stem protrudes 3/4" past end of valve in the full-open position.

PROJECT INFO	

REV.	1	DRAWING REVISED	DATE 10/14/2013
		2323 W. HUBBARD ST. CHICAGO, IL 60612 TEL: 312-738-3800 FAX: 312-738-0415 WWW.METRAFLEX.COM	
MODEL CVO900-125-12-DINC 2.5" - 12" 125# GLOBE STYLE SILENT CHECK VALVE W/ NICKEL COATED DUCTILE IRON TRIM			
DRAWN BY: DKISH		DATE: 8/27/2013	
APPROVED: JC		DATE: 8/27/2013	
SCALE: NONE	DRAWING NUMBER: CVO900-125-12-DINC		

CUSTOMER: _____

PROJECT: _____

ENGINEER: _____