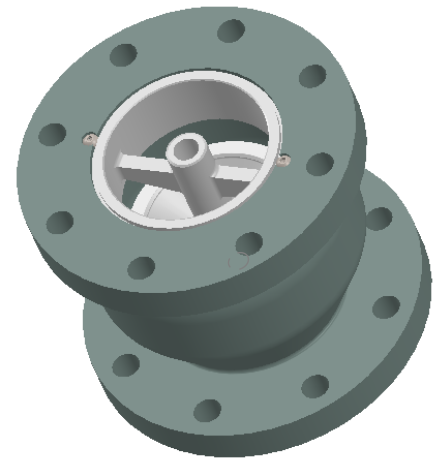


MAX NON-SHOCK  
WORKING PSI

TEMPERATURE	PSI
150 °F	400
200 °F	370



**NSF 372 - LEAD FREE**

The wetted surface of this product contacted by consumable water contains less than one quarter of one percent (0.25%) of lead by weight. Material complies with state codes and standards, where applicable, requiring reduced lead content. Not suitable for potable water systems due to materials of construction.

ITEM	PART NAME	MATERIAL	ASTM NO.
1	BODY	CAST IRON	A126 CL. B
2	SEAT	DUCTILE IRON	A536, Ni COAT
3	PLUG	DUCTILE IRON	A536, Ni COAT
4	SPRING	STAINLESS	T304
5	BUSHING	STAINLESS	T304
6	O-RING	EPDM	D2000
7	SCREW	STAINLESS	T304

**Notes:**

Valve is designed for liquid service only. Install 5 to 10 pipe diameters downstream from pump discharge or elbows to avoid flow turbulence. The intake side of CVO 900 series check valves must be mated to a ANSI B16.5 flat faced steel flange. The discharge side can be mated to a ANSI B16.5 flat faced steel flange, or for sizes 2-1/2" through 10", a wafer style butterfly valve without the use of spools or adaptors.



FOR ADDITIONAL FLOW STRAIGHTENING  
SEE THE VANE FLEX AT  
[www.metroflex.com/vaneflex](http://www.metroflex.com/vaneflex)

Valve complies with MSS-SP-125-2010.

2-1/2" valve trim is threaded into body.

Qty.	Part Number	Size I.D. (in)	A (in)	B (in)	C (in)	D (in)	E (in)	Cv*	Weight (Lbs)	Bolt Size (in)	Number Of Bolts
	CVODINC9525	2-1/2	7-1/2	5-1/2	5-7/8	1	1-7/16	110	25	3/4	8
	CVODINC953	3	8-1/4	6	6-5/8	1-1/8	1-3/8	155	34	3/4	8
	CVODINC954	4	10	7-1/4	7-7/8	1-1/4	1-3/4	278	59	3/4	8
	CVODINC955	5	11	8-1/2	9-1/4	1-3/8	2	435	74	3/4	8
	CVODINC956	6	12-1/2	9-3/4	10-5/8	1-7/16	2-1/2	625	100	3/4	12
	CVODINC958	8	15	12-1/2	13	1-5/8	3-1/4	1115	177	7/8	12
	CVODINC960	10	17-1/2	15-1/2	15-1/4	1-7/8	4-1/4	1770	255	1	16
	CVODINC962	12	20-1/2	14-1/4	17-3/4	2	**	2500	375	1-1/8	16

\*Cv is the number of U.S. gallons/minute of 60°F water that will flow through a valve with 1 PSI of pressure drop across the valve.

\*\*Plug stem protrudes 3/4" past end of valve in the full-open position.

PROJECT INFO	

REV.	1	DRAWING REVISED	DATE	10/14/2013
		2323 W. HUBBARD ST. CHICAGO, IL 60612 TEL: 312-738-3800 FAX: 312-738-0415 WWW.METRAFLEX.COM		
		<b>MODEL CVO900-250-12-DINC</b> 2.5" - 12" 250# GLOBE STYLE SILENT CHECK VALVE W/ NICKEL COATED DUCTILE IRON TRIM		
DRAWN BY: <b>DKISH</b>		DATE: <b>8/27/2013</b>		
APPROVED: <b>JC</b>		DATE: <b>8/27/2013</b>		
SCALE:	DRAWING NUMBER:			
NONE	CVO900-250-12-DINC			

CUSTOMER: \_\_\_\_\_

PROJECT: \_\_\_\_\_

ENGINEER: \_\_\_\_\_