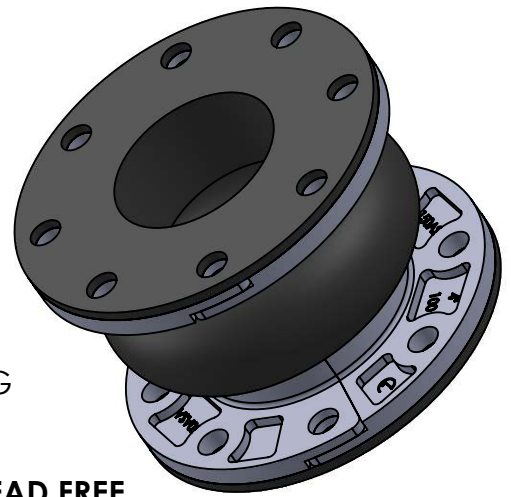


MAXIMUM WORKING TEMPERATURE 230°F



LEAD FREE

The wetted surface of this product contacted by consumable water contains less than one quarter of one percent (0.25%) of lead by weight. Material complies with state codes and standards, where applicable, requiring reduced lead content.

Notes:

For installation instructions go to www.metroflex.com. Joint must be installed at its neutral length, and the bolts properly torqued. Not suitable for steam applications. If connecting pipe is not anchored and guided, control units must be used.

TO BE FURNISHED WITH CONTROL UNITS:

YES NO

ITEM	PART NAME	MATERIAL
1	COVER	BUTYL
2	TUBE	BUTYL
3	RETAINING RING	DUCTILE IRON

*Contact factory for other elastomers.

MOVEMENT CAPABILITY AND FORCES

Qty	Part Number	Size I.D. (in)	F/F (in)	Pressure (PSI)	Vacuum (in Hg)	MOVEMENT CAPABILITY AND FORCES						Weight (lbs)	
						AXIAL			DEFLECTION				
						Comp. (in)	Force* (lbs)	Elong. (in)	Force* (lbs)	Lateral (in)	Force* (lbs)	Angular (Degrees)	
	7110200	2	6	150	10	1.75	220	0.75	120	0.75	160	35	5.5
	7110250	2.5	6	150	10	1.75	280	0.75	150	0.75	170	30	7.5
	7110300	3	6	150	10	1.75	330	0.75	180	0.75	190	30	8.5
	7110400	4	6	150	10	1.75	450	0.75	250	0.75	210	25	10
	7110500	5	6	150	10	1.75	550	0.75	310	0.75	250	25	12.5
	7110600	6	6	150	10	1.75	670	0.75	370	1	370	20	16.5
	7110800	8	6	150	10	1.75	740	0.75	410	1	450	20	22
	7111000	10	8	150	10	1.75	930	0.75	520	1	480	15	34
	7111200	12	8	150	10	1.75	970	0.75	550	1	570	15	45
	7111400	14	8	130	10	2	1190	0.875	670	1.125	750	12	55
	7111600	16	8	110	10	2	1270	0.875	720	1.125	870	12	64
	7111800	18	8	110	10	2	1430	0.875	810	1.125	960	9	71
	7112000	20	8	110	10	2	1590	0.875	900	1.125	1070	9	82
	7112400	24	10	100	10	2.25	2140	1	1240	1.125	1150	9	102
	7113000	30	10	100	10	2.25	2700	1	1565	1.125	1451	6	140
	7113600	36	10	90	10	2.25	3300	1	1912	1.125	1773	5	190

PROJECT INFO

CUSTOMER: _____

PROJECT: _____

ENGINEER: _____

REV. 1 VACUUM COLUMN ADDED DATE 11/11/2014

Metroflex
for pipes in motion

2323 W. HUBBARD ST.
CHICAGO, IL 60612
TEL: 312-738-3800
FAX: 312-738-0415
WWW.METRAFLEX.COM

STYLE 711 WIDE ARCH
BUTYL SPHERICAL CONNECTOR

DRAWN BY: **DKISH** DATE: **11/5/2014**

APPROVED: **JC** DATE: **11/5/2014**

SCALE: **NONE** DRAWING NUMBER: **711**