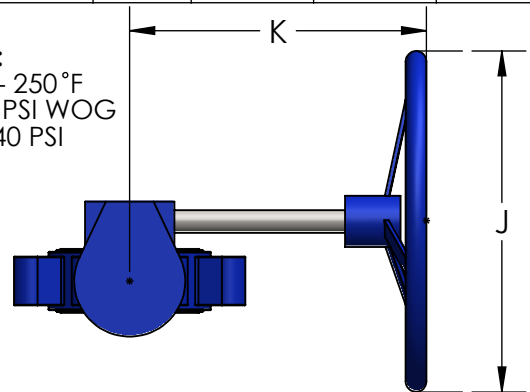


QTY	SIZE (in)	A (in)	B (in)	C (in)	D (in)	E (in)	F (in)	G (in)	H (in)	J (in)	K (in)	Wt (lbs)
	2	10-5/8	7-1/2	3-1/8	1-5/8	10-3/8	4-3/4	5/8-11 UNC	4	6	5-1/4	11
	2-1/2	11-1/2	8	3-1/2	1-3/4	10-3/8	5-1/2	5/8-11 UNC	4	6	5-1/4	12
	3	12	8-3/8	3-5/8	1-3/4	10-3/8	6	5/8-11 UNC	4	6	5-1/4	12-1/2
	4	13-1/2	9	4-1/2	2	10-3/8	7-1/2	5/8-11 UNC	8	6	5-1/4	20
	5	15	9-5/8	5-3/8	2-1/8	10-3/8	8-1/2	3/4-10 UNC	8	6	5-1/4	26
	6	15-1/2	10	5-1/2	2-1/4	10-3/8	9-1/2	3/4-10 UNC	8	6	5-1/4	30
	8	17-1/2	10-3/4	6-3/4	2-1/4	10-3/8	11-3/4	3/4-10 UNC	8	12	9-1/2	70
	10	20-1/2	12-3/4	7-3/4	2-3/4	10-3/8	14-1/4	7/8-9 UNC	12	12	9-1/2	97
	12	23-3/4	14-1/2	9-1/4	3-1/8	10-3/8	17	7/8-9 UNC	12	12	10-1/8	129

ITEM	PART NAME	MATERIAL SPECIFICATION
1	CAST IRON BODY	ASTM A-126-B
2	EPDM LINER	ASTM D-2000
3	DUCTILE IRON DISC	ASTM A536, Ni COATING
4	UPPER STEM	AISI 420
5	LOWER STEM	AISI 420
6	UPPER STEM BEARING	PTFE
7	UPPER STEM O-RING	EPDM
8	LOWER STEM O-RING	EPDM
9	LOWER STEM SET SCREW	ASTM A-582
10	POSITION PLATE	CARBON STEEL

DESIGN DATA:
 Temperature - 250°F
 Pressure - 200 PSI WOG
 Dead End - 140 PSI



GEAR OPERATOR IS RECOMMENDED FOR 8", 10", AND 12" VALVES.

LEAD FREE - NSF 372

The wetted surface of this product contacted by consumable water contains less than one quarter of one percent (0.25%) of lead by weight. Material complies with state codes and standards, where applicable, requiring reduced lead content.

CUSTOMER: _____

PROJECT: _____

ENGINEER: _____

REV.	DATE
2323 W. HUBBARD ST. CHICAGO, IL 60612 TEL: 312-738-3800 FAX: 312-738-0415 WWW.METRAFLEX.COM	
BUTTERFLY VALVE, DINC DISK 2" - 12" LUG STYLE	
DRAWN BY: DEVINR	DATE: 02/27/2023
APPROVED: _____	DATE: _____
SCALE: N/A	DRAWING NUMBER: BLM03DINC-12