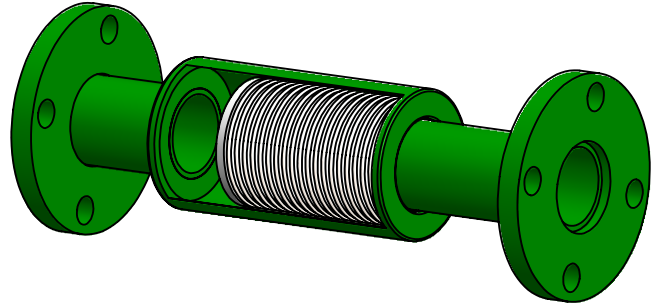


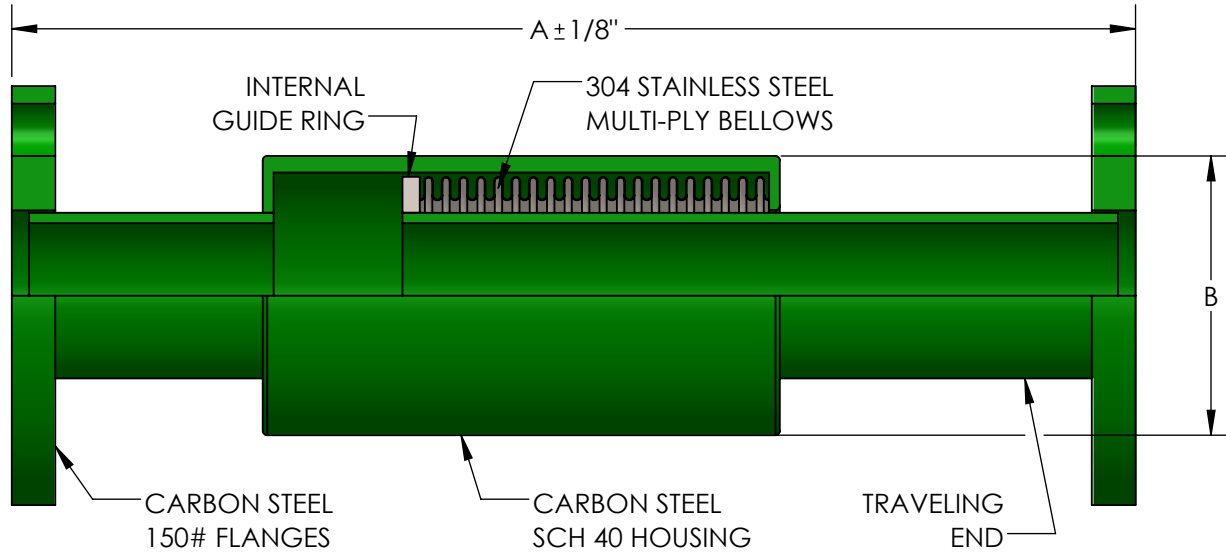
**MODEL HPF2  
HIGH PRESSURE  
EXTERNALLY PRESSURIZED  
EXPANSION COMPENSATOR**

HOUSING CUT AWAY TO SHOW BELLOWS



**DESIGN DATA**

CONFORMS TO MIL-DTL-17813H  
 MAXIMUM WORKING TEMPERATURE: 500° (260°C)  
 MAXIMUM WORKING PRESSURE: 175 PSI (1206 kPa)  
 MAXIMUM TEST PRESSURE: 250 PSI (1809 kPa) @ 70°F  
 AXIAL COMPRESSION: 2" (50mm)  
 AXIAL EXTENSION: 1/2" (13mm)



THIS EXPANSION JOINT IS DESIGNED FOR AXIAL MOVEMENT ONLY. PIPE MUST BE PROPERLY GUIDED AND ANCHORED PER THE RECOMMENDATIONS OF THE EXPANSION JOINT MANUFACTURERS ASSOCIATION.

QTY	PART NUMBER	PIPE SIZE		A	B	EFFECTIVE AREA (in <sup>2</sup> )	SPRING RATE (lb/in)	WEIGHT	PROJECT INFORMATION
		INCH	MM						
	HPF20075	3/4"	20	13-3/8"	3"	1.5	81	8	
	HPF20100	1"	25	13-7/8"	3"	2.1	88	9	
	HPF20125	1-1/4"	32	13-7/8"	3"	3.3	75	12	
	HPF20150	1-1/2"	38	15-1/4"	3-1/2"	4.3	121	14	
	HPF20200	2"	50	15-1/4"	4"	6.3	143	18	
	HPF20250	2-1/2"	65	16-5/8"	5"	8.8	187	29	
	HPF20300	3"	80	16-5/8"	5-1/2"	13.1	230	34	
	HPF20400	4"	100	17"	6-5/8"	20.8	484	47	

**NSF 372 - LEAD FREE**

The wetted surface of this product contacted by consumable water contains less than one quarter of one percent (0.25%) of lead by weight. Material complies with state codes and standards, where applicable, requiring reduced lead content. Not suitable for potable water systems due to materials of construction.

CUSTOMER: \_\_\_\_\_

PROJECT: \_\_\_\_\_

ENGINEER: \_\_\_\_\_

2	Edit temperature-pressure rating. Add compliance	01/07/2021
REV. 1	Edit B dimension to 3" on lines 1 and 2.	DATE: 08/27/2019

**Metraflex**  
for pipes in motion

2323 W. HUBBARD ST.  
 CHICAGO, IL 60612  
 TEL: 312-738-3800  
 FAX: 312-738-0415  
 WWW.METRAFLEX.COM

**MODEL HPF2**

HIGH PRESSURE EXPANSION COMPENSATOR

DRAWN BY: <b>DKISH</b>	DATE: <b>9/3/2015</b>
APPROVED: <b>JC</b>	DATE: <b>9/3/2015</b>
SCALE: <b>N/A</b>	DRAWING NUMBER: <b>HPF2</b>