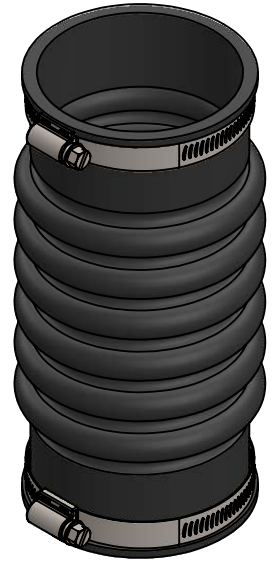
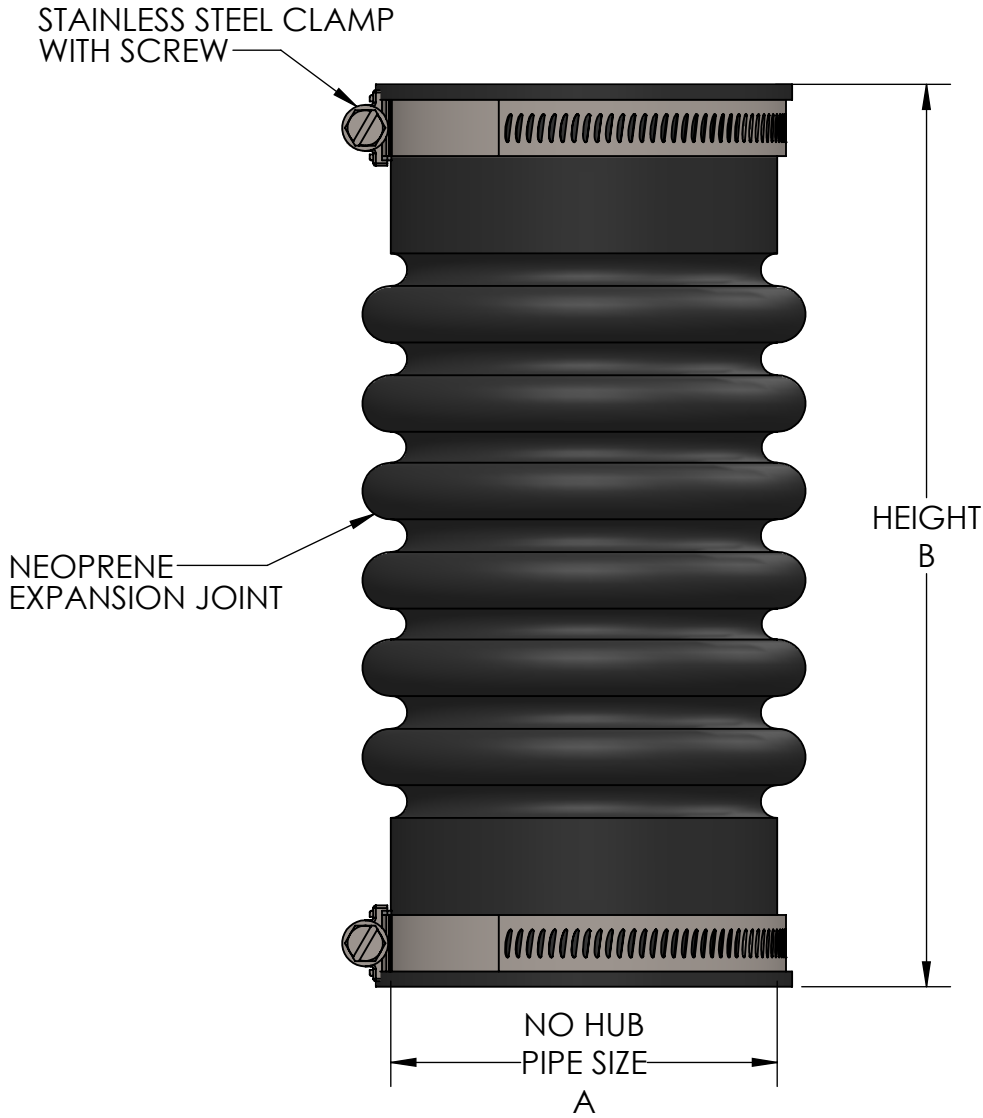


STYLE 101 NEOPRENE LOW-PRESSURE EXPANSION JOINT




QTY	PART NUMBER	PIPE SIZE (A)	HEIGHT (C)	TEMPERATURE RANGE	MAXIMUM PRESSURE	AXIAL COMPRESSION	AXIAL EXPANSION	ROTATION	ANGULAR OFFSET
	1010200	2"	7-1/8"	20°F - 122°F	4.3 PSI	1"	1/2"	10°	15°
	1010300	3"	8-1/8"	20°F - 122°F	4.3 PSI	1"	1/2"	10°	15°
	1010400	4"	8-5/8"	20°F - 122°F	4.3 PSI	1"	1/2"	10°	15°
	1010600	6"	8-5/8"	20°F - 122°F	4.3 PSI	1"	1/2"	10°	15°
	1010800	8"	11"	20°F - 122°F	4.3 PSI	1"	1/2"	10°	15°

NOTE:
FOR USE ON DRAIN LINES

CUSTOMER: _____

PROJECT: _____

ENGINEER: _____

REV.	DATE
	
2323 W. HUBBARD ST. CHICAGO, IL 60612 TEL: 312-738-3800 FAX: 312-738-0415 WWW.METRAFLEX.COM	
STYLE 101 LOW-PRESSURE EXPANSION JOINT	
DRAWN BY: RDAHYA	DATE: 05/01/2019
APPROVED: DTH	DATE: 05/01/2019
SCALE: N/A	DRAWING NUMBER: 101