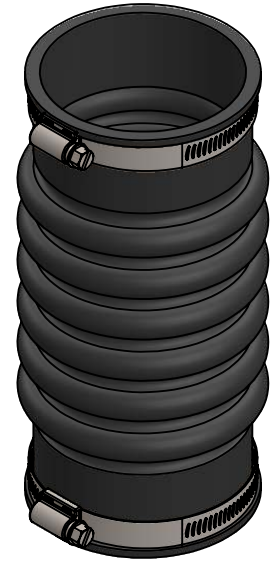
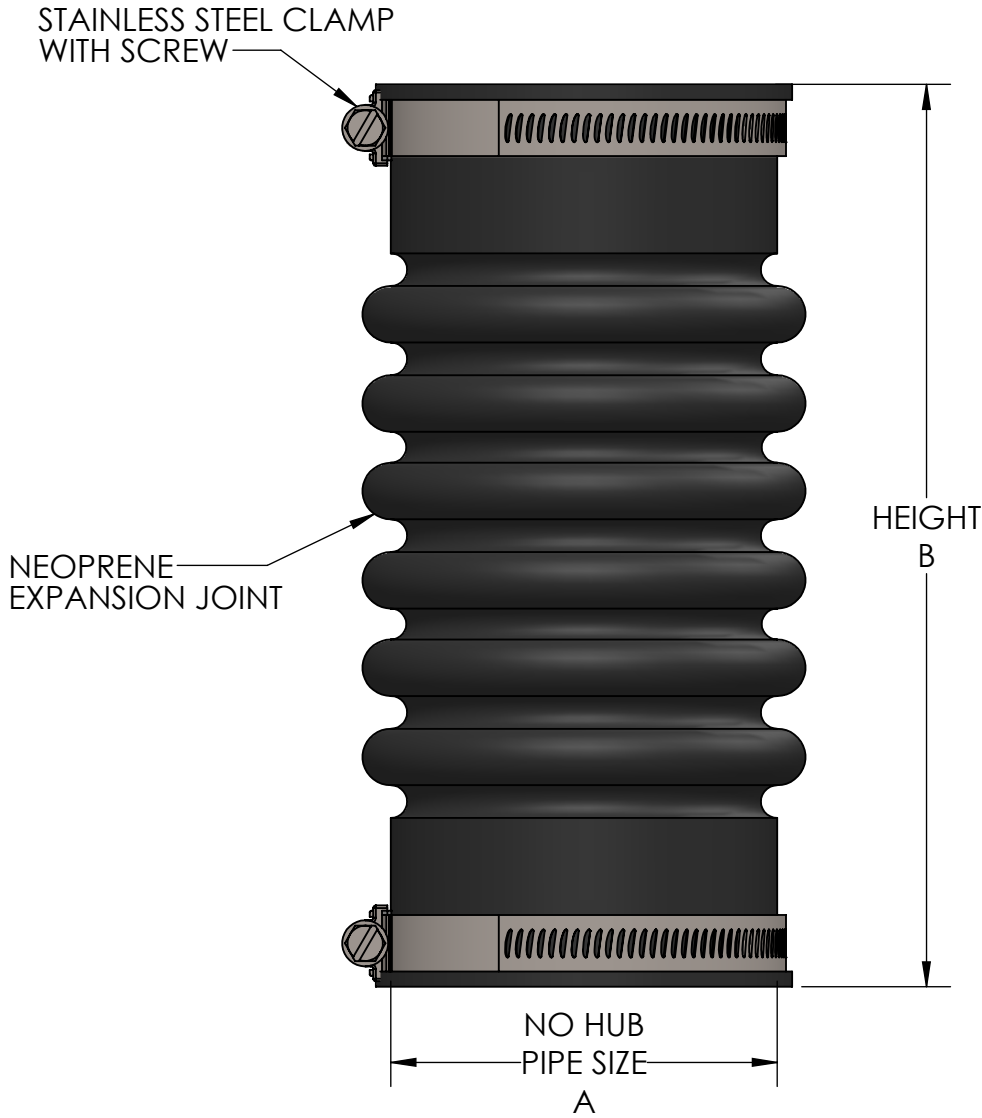


# STYLE 101 NEOPRENE LOW-PRESSURE EXPANSION JOINT




QTY	PART NUMBER	PIPE SIZE (A)	HEIGHT (C)	TEMPERATURE RANGE	MAXIMUM PRESSURE	AXIAL COMPRESSION	AXIAL EXPANSION	ROTATION	ANGULAR OFFSET
	1010200	2"	7-1/8"	20°F - 122°F	4.3 PSI	1"	1/2"	10°	15°
	1010300	3"	8-1/8"	20°F - 122°F	4.3 PSI	1"	1/2"	10°	15°
	1010400	4"	8-5/8"	20°F - 122°F	4.3 PSI	1"	1/2"	10°	15°
	1010600	6"	8-5/8"	20°F - 122°F	4.3 PSI	1"	1/2"	10°	15°
	1010800	8"	11"	20°F - 122°F	4.3 PSI	1"	1/2"	10°	15°

NOTE:  
FOR USE ON DRAIN LINES

CUSTOMER: \_\_\_\_\_

PROJECT: \_\_\_\_\_

ENGINEER: \_\_\_\_\_

REV.	DATE
	
2323 W. HUBBARD ST. CHICAGO, IL 60612 TEL: 312-738-3800 FAX: 312-738-0415 WWW.METRAFLEX.COM	
<b>STYLE 101</b> LOW-PRESSURE EXPANSION JOINT	
DRAWN BY: <b>RDAHYA</b>	DATE: <b>05/01/2019</b>
APPROVED: <b>DTH</b>	DATE: <b>05/01/2019</b>
SCALE: <b>N/A</b>	DRAWING NUMBER: <b>101</b>