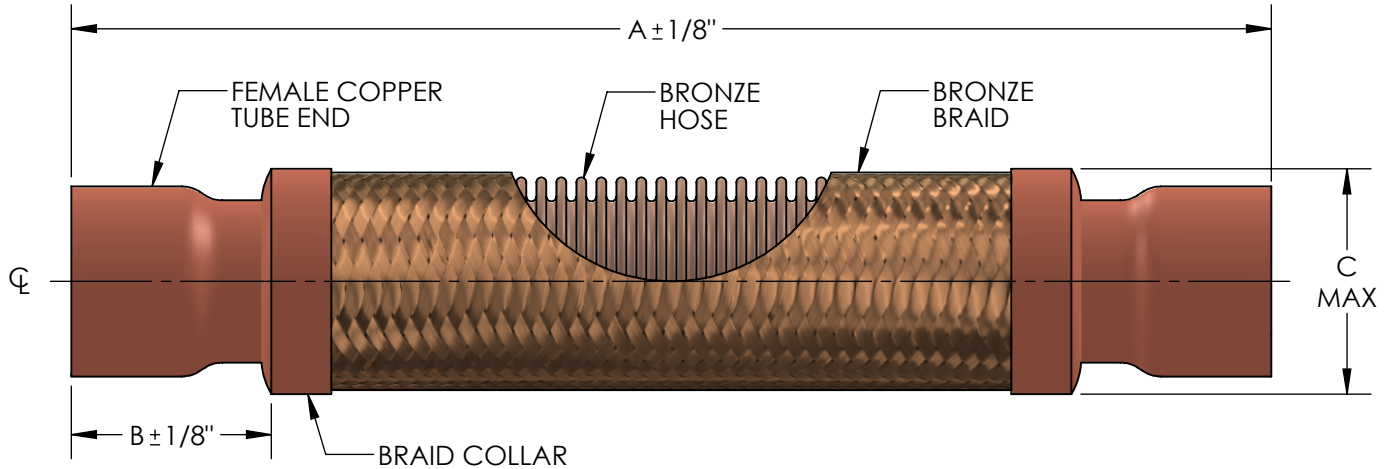


**MODEL BBSC
FLEXIBLE PUMP CONNECTOR FOR COPPER PIPE**



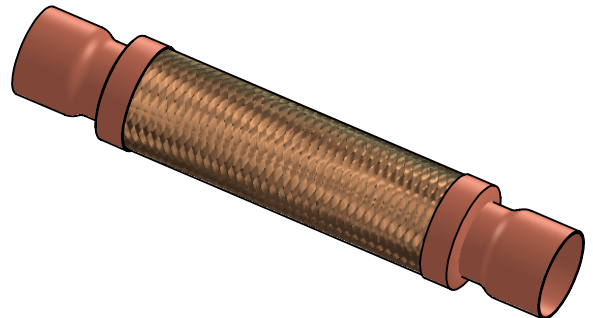
SIZES FROM 2-1/2" USE STAINLESS STEEL HOSE AND BRAID TO ASSURE HIGH PRESSURES.
DO NOT USE WRENCHES ON HOSE OR BRAID COLLAR.
THE ID OF COPPER TUBE MEETS ASA STANDARD B16.18-1950 AND ASA B16.22-1951.

QTY	PART NUMBER	PIPE SIZE		A	B	C MAX	PRESSURE RATING (PSI)*	WEIGHT (LBS)	PROJECT INFORMATION
		INCH	MM						
	BBSC0050	1/2"	15	10"	7/8"	1.031"	450	1	
	BBSC0075	3/4"	20	10"	1-1/4"	1.406"	340	1	
	BBSC0100	1"	25	10"	1-1/2"	1.781"	302	1	
	BBSC0125	1-1/4"	32	10"	1-5/8"	2.109"	280	2	
	BBSC0150	1-1/2"	38	12"	2"	2.438"	245	3	
	BBSC0200	2"	50	14"	2-1/2"	3.078"	190	4	
	BBSC0250	2-1/2"	65	16"	2-29/32"	3.969"	150	4	
	BBSC0300	3"	80	16"	3-13/32"	4.422"	150	4	

*FOR SAFE WORKING PRESSURE ABOVE 70°F, MULTIPLY THE PRESSURE SHOWN AT 70°F TIMES THE CORRECTION FACTOR OF THE REQUIRED TEMPERATURE.

MAX INTERMITTENT OFFSET FROM CENTERLINE 1/4"
MAX PERMANENT OFFSET FROM CENTERLINE 1/2"

TEMPERATURE (°F)	FACTOR
70	1.0
150	.92
200	.89
250	.86
300	.83
350	.81



NSF 61 AND NSF 371 CERTIFIED

This product meets the minimum health effects requirements of NSF 61 and the low lead requirements of NSF 372. This product complies with state codes and standards for use in potable water systems.

CUSTOMER: _____

PROJECT: _____

ENGINEER: _____

2	NSF-61, IMAGE UPDATE	4/13/2020
REV. 1	TEMP FACTOR UPDATED	DATE 12/28/2016
		2323 W. HUBBARD ST. CHICAGO, IL 60612 TEL: 312-738-3800 FAX: 312-738-0415 WWW.METRAFLEX.COM
MODEL BBSC FLEXIBLE PUMP CONNECTOR FOR COPPER		
DRAWN BY: DKISH		DATE: 1/10/2014
APPROVED: JC		DATE: 1/10/2014
SCALE: N/A	DRAWING NUMBER: BBSC-2	