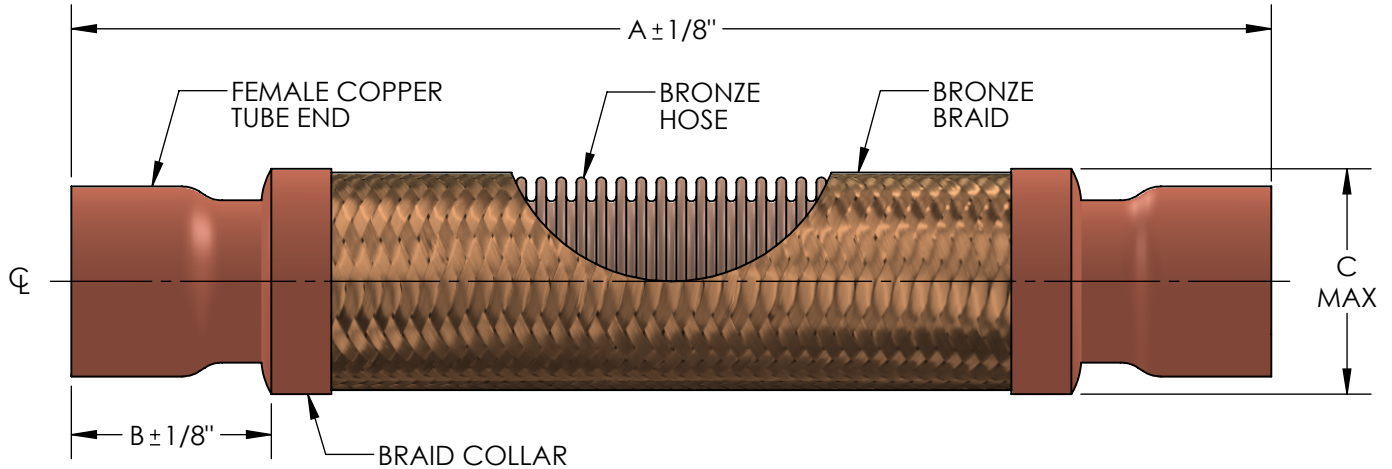


**MODEL BBSC
FLEXIBLE PUMP CONNECTOR FOR COPPER PIPE**



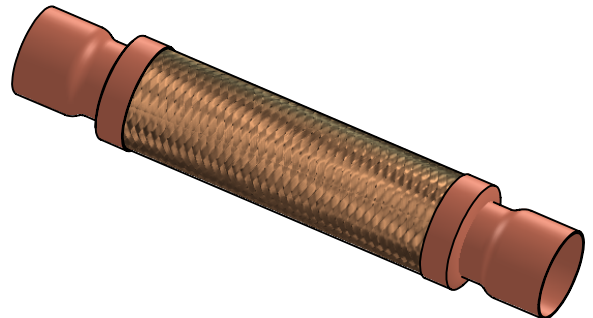
SIZES FROM 2-1/2" USE STAINLESS STEEL HOSE AND BRAID TO ASSURE HIGH PRESSURES.
DO NOT USE WRENCHES ON HOSE OR BRAID COLLAR.
THE ID OF COPPER TUBE MEETS ASA STANDARD B16.18-1950 AND ASA B16.22-1951.

| QTY | PART NUMBER | PIPE SIZE | | A | B | C MAX | PRESSURE RATING (PSI)* | WEIGHT (LBS) | PROJECT INFORMATION |
|-----|-------------|-----------|----|-----|----------|--------|------------------------|--------------|---------------------|
| | | INCH | MM | | | | | | |
| | BBSC0050 | 1/2" | 15 | 10" | 7/8" | 1.031" | 450 | 1 | |
| | BBSC0075 | 3/4" | 20 | 10" | 1-1/4" | 1.406" | 340 | 1 | |
| | BBSC0100 | 1" | 25 | 10" | 1-1/2" | 1.781" | 302 | 1 | |
| | BBSC0125 | 1-1/4" | 32 | 10" | 1-5/8" | 2.109" | 280 | 2 | |
| | BBSC0150 | 1-1/2" | 38 | 12" | 2" | 2.438" | 245 | 3 | |
| | BBSC0200 | 2" | 50 | 14" | 2-1/2" | 3.078" | 190 | 4 | |
| | BBSC0250 | 2-1/2" | 65 | 16" | 2-29/32" | 3.969" | 150 | 4 | |
| | BBSC0300 | 3" | 80 | 16" | 3-13/32" | 4.422" | 150 | 4 | |

*FOR SAFE WORKING PRESSURE ABOVE 70°F, MULTIPLY THE PRESSURE SHOWN AT 70°F TIMES THE CORRECTION FACTOR OF THE REQUIRED TEMPERATURE.

MAX INTERMITTENT OFFSET FROM CENTERLINE 1/4"
MAX PERMANENT OFFSET FROM CENTERLINE 1/2"

| TEMPERATURE (°F) | FACTOR |
|------------------|--------|
| 70 | 1.0 |
| 150 | .92 |
| 200 | .89 |
| 250 | .86 |
| 300 | .83 |
| 350 | .81 |



NSF 61 AND NSF 372 CERTIFIED

This product meets the minimum health effects requirements of NSF 61 and the low lead requirements of NSF 372. This product complies with state codes and standards for use in potable water systems.

CUSTOMER: _____

PROJECT: _____

ENGINEER: _____

| | | |
|---------------------------------------------------------|-------------------------------|---------------------------------------------------------------------------------------------------------|
| 2 | NSF-61, IMAGE UPDATE | 4/13/2020 |
| REV. 1 | TEMP FACTOR UPDATED | DATE 12/28/2016 |
| | | 2323 W. HUBBARD ST. CHICAGO, IL 60612 TEL: 312-738-3800 FAX: 312-738-0415 WWW.METRAFLEX.COM |
| MODEL BBSC FLEXIBLE PUMP CONNECTOR FOR COPPER | | |
| DRAWN BY: DKISH | | DATE: 1/10/2014 |
| APPROVED: JC | | DATE: 1/10/2014 |
| SCALE: N/A | DRAWING NUMBER: BBSC-2 | |