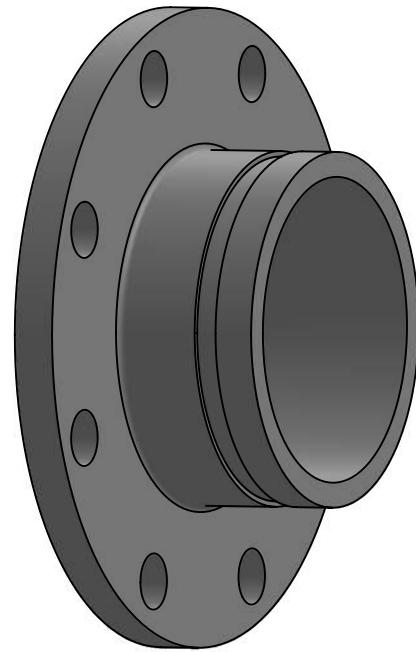
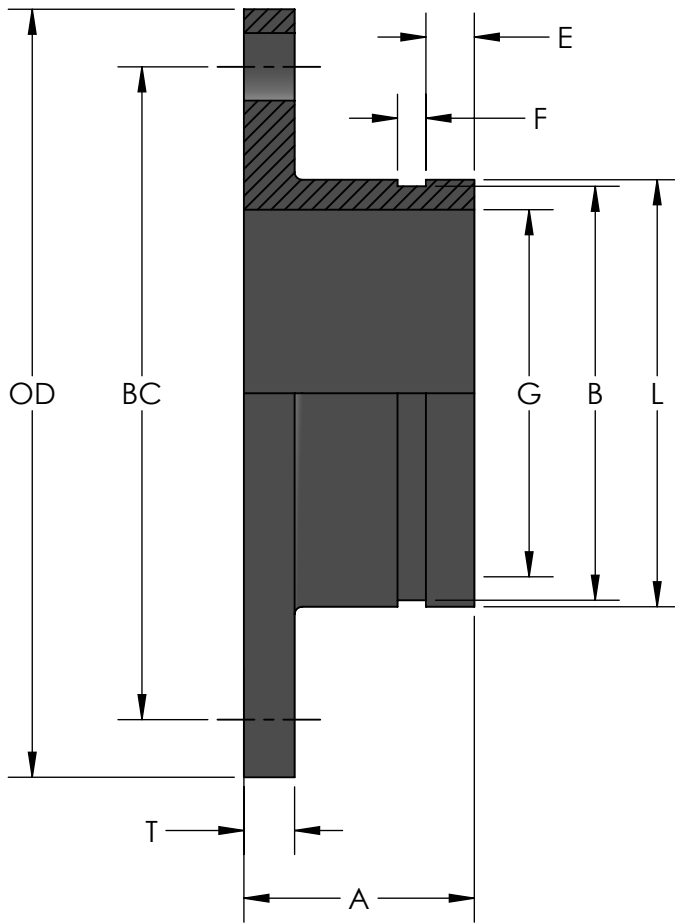


**MODEL GAD
GROOVED BY 125# FLANGED ADAPTOR
DUCTILE IRON ASTM A 395**



**OPERATING TEMPERATURE & PRESSURE
WATER, OIL, GAS**


400 PSI @ 100°F
150 PSI @ 300°F

| QTY | PART NUMBER | SIZE | A | B | BOLT CIRCLE | OD | E | F | G | L | T | BOLT HOLES | | WEIGHT (LBS) |
|-----|-------------|------|--------|--------|-------------|-------|--------|-------|--------|--------|-------|------------|--------|--------------|
| | | | | | | | | | | | | NO. | DIA. | |
| | GAD0200 | 2" | 1.625" | 2.25" | 4.75" | 6" | 0.625" | 0.31" | 1.86" | 2.37" | 0.43" | 4 | 0.75" | 2.5 |
| | GAD0250 | 2.5" | 1.625" | 2.72" | 5.5" | 7" | 0.625" | 0.31" | 2.21" | 2.87" | 0.50" | 4 | 0.75" | 3 |
| | GAD0300 | 3" | 1.625" | 3.34" | 6" | 7.5" | 0.625" | 0.31" | 2.83" | 3.5" | 0.59" | 4 | 0.75" | 4.5 |
| | GAD0400 | 4" | 2" | 4.33" | 7.5" | 9" | 0.625" | 0.37" | 3.78" | 4.5" | 0.66" | 8 | 0.75" | 8 |
| | GAD0500 | 5" | 3" | 5.39" | 8.5" | 10" | 0.625" | 0.37" | 4.78" | 5.56" | 0.66" | 8 | 0.875" | 11 |
| | GAD0600 | 6" | 3.25" | 6.46" | 9.5" | 11" | 0.625" | 0.37" | 5.75" | 6.63" | 0.82" | 8 | 0.875" | 13 |
| | GAD0800 | 8" | 3.5" | 8.44" | 11.75" | 13.5" | 0.75" | 0.44" | 7.65" | 8.63" | 0.94" | 8 | 0.875" | 25 |
| | GAD1000 | 10" | 3.75" | 10.56" | 14.25" | 16" | 0.75" | 0.50" | 9.57" | 10.75" | 0.98" | 12 | 1" | 33 |
| | GAD1200 | 12" | 4" | 12.53" | 17" | 19" | 0.75" | 0.50" | 11.42" | 12.75" | 1.25" | 12 | 1" | 63 |

CUSTOMER: _____

PROJECT: _____

ENGINEER: _____

| | |
|---|------------------------------|
| REV. | DATE |
|  | |
| 2323 W. HUBBARD ST. CHICAGO, IL 60612 TEL: 312-738-3800 FAX: 312-738-0415 WWW.METRAFLEX.COM | |
| MODEL GAD GROOVED BY 125# FLANGED ADAPTOR | |
| DRAWN BY: DKISH | DATE: 2/24/2017 |
| APPROVED: ZB | DATE: 2/24/2017 |
| SCALE: N/A | DRAWING NUMBER: GAD-1 |