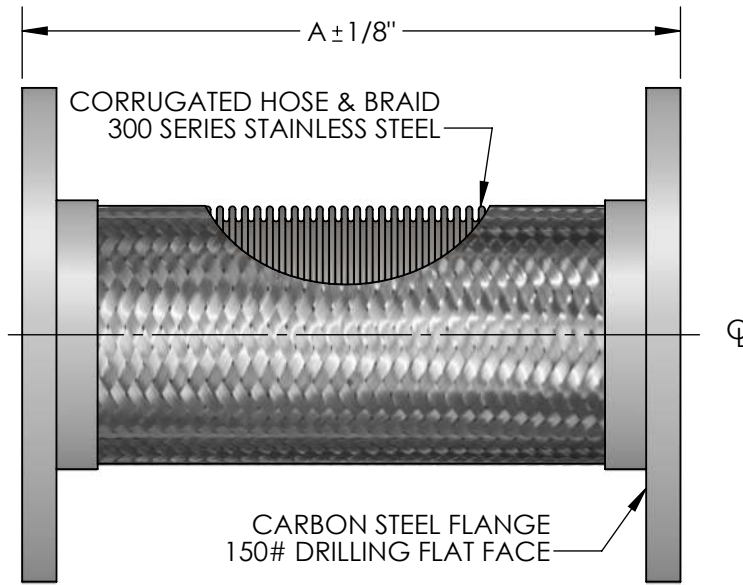


**MODEL METRAMINI (MMCC)
FLANGED FLEXIBLE PUMP CONNECTOR**

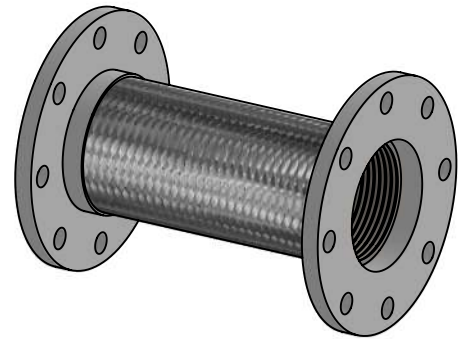


QTY	PART NUMBER	PIPE SIZE		A	PRESSURE RATING (PSI)*	WEIGHT (LBS)	PROJECT INFORMATION
		INCH	MM				
	MMCC0200	2"	50	9"	516	9	
	MMCC0250	2-1/2"	65	9"	387	13	
	MMCC0300	3"	80	9"	316	14	
	MMCC0400	4"	100	9"	232	18	
	MMCC0500	5"	125	11"	191	25	
	MMCC0600	6"	150	11"	165	28	
	MMCC0800	8"	200	12"	234	52	
	MMCC1000	10"	250	13"	230	75	
	MMCC1200	12"	300	14"	161	105	
	MMCC1400	14"	350	14"	150	115	
	MMCC1600	16"	400	14"	110	145	
	MMCC1800	18"	450	14"	85	165	

*FOR SAFE WORKING PRESSURE ABOVE 70°F, MULTIPLY THE PRESSURE SHOWN AT 70°F TIMES THE CORRECTION FACTOR OF THE REQUIRED TEMPERATURE.

MAX INTERMITTENT OFFSET FROM CENTERLINE 1/8"
MAX PERMANENT OFFSET FROM CENTERLINE 3/8"

TEMPERATURE (°F)	FACTOR
70	1.0
200	.91
300	.85
400	.78
500	.77
600	.76



NSF 372 - LEAD FREE

The wetted surface of this product contacted by consumable water contains less than one quarter of one percent (0.25%) of lead by weight. Material complies with state codes and standards, where applicable, requiring reduced lead content.

CUSTOMER: _____

PROJECT: _____

ENGINEER: _____

2	16" & 18" ADDED	9/21/2017
REV. 1	TEMP FACTOR UPDATED	DATE 12/28/2016
		2323 W. HUBBARD ST. CHICAGO, IL 60612 TEL: 312-738-3800 FAX: 312-738-0415 WWW.METRAFLEX.COM
MODEL METRAMINI (MMCC) FLANGED FLEXIBLE PUMP CONNECTOR		
DRAWN BY: DKISH		DATE: 1/10/2014
APPROVED: JC		DATE: 1/10/2014
SCALE: N/A	DRAWING NUMBER: MMCC-2	